

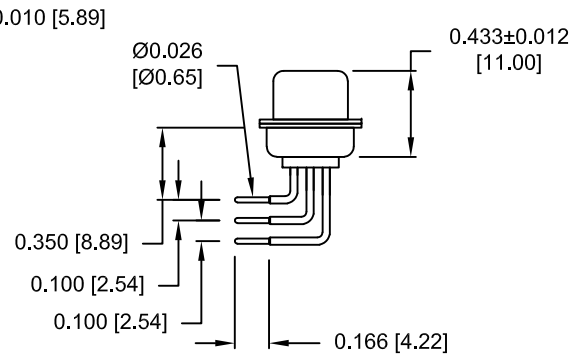
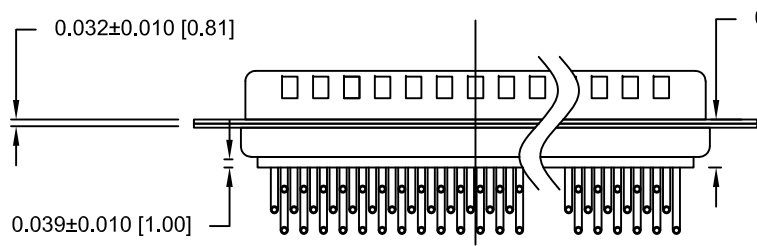
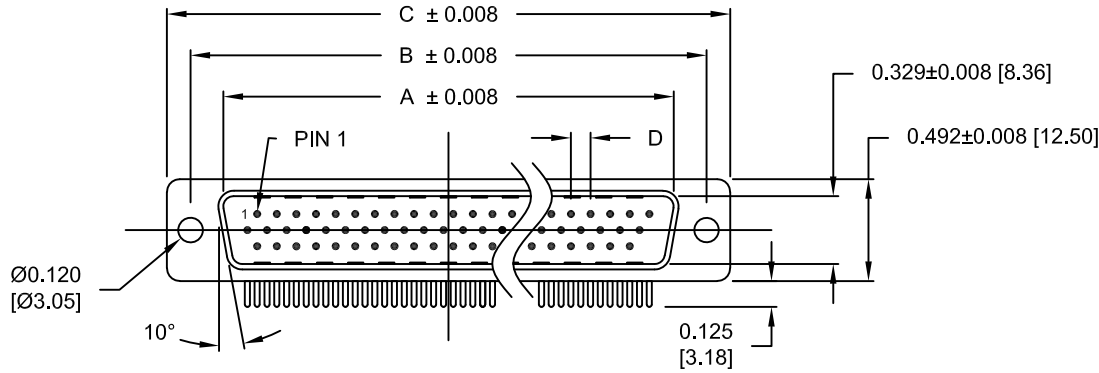
DESCRIPTION: HIGH DENSITY - MACHINED CONTACTS - RIGHT ANGLE

**MATERIALS AND FINISH:**

SHELL: STEEL MATERIAL, NICKEL FINISH  
 INSULATOR: (SEE CHART) =260°C,  
 UL 94V-0 RATED, BLACK  
 CONTACT MATERIAL: BRASS  
 CONTACT FINISH: SELECTIVE GOLD FINISHED

**ELECTRICAL:**

CONTACT CURRENT RATING: 5 AMPS  
 CONTACT RESISTANCE: 10 mOHMS Max.  
 DIELECTRIC WITHSTANDING VOLTAGE: 1,000VAC Min.  
 INSULATION RESISTANCE: 5 GOHMS Min.  
 TEMPERATURE RATING: -55° ~ +125° C



**181-MYY-1YYRYYY**

SERIES \_\_\_\_\_  
 MACHINED CONTACTS \_\_\_\_\_  
 POSITIONS \_\_\_\_\_  
 15 \_\_\_\_\_  
 26 \_\_\_\_\_  
 44 \_\_\_\_\_  
 62 \_\_\_\_\_  
 GENDER \_\_\_\_\_  
 1 = MALE \_\_\_\_\_  
 TERMINATION \_\_\_\_\_  
 1 = RIGHT ANGLE \_\_\_\_\_  
 SHELL PLATING \_\_\_\_\_  
 3 = NICKEL \_\_\_\_\_  
 RoHS COMPLIANT \_\_\_\_\_  
 HARDWARE OPTIONS \_\_\_\_\_  
 14 = BRACKET WITH #4-40 INSERT, BOARD LOCK AND LOCATOR PLATE  
 46 = BRACKET WITH #4-40 SCREW LOCK, BOARD LOCK AND LOCATOR PLATE  
 PLATING OPTIONS \_\_\_\_\_  
 1 = GOLD FLASH, ENTIRE CONTACT  
 2 = 30u" GOLD, ENTIRE CONTACT  
 3 = 50u" GOLD, ENTIRE CONTACT

**DIMENSIONS (IN.)**

No. OF PINS	A	B	C	D	Insulator Material
15	0.665	0.984	1.213	0.090	PA9T
26	0.994	1.311	1.543	0.090	PA9T
44	1.534	1.852	2.088	0.090	PA9T
62	2.181	2.500	2.732	0.095	PA6T

**DIMENSIONS (mm)**

No. OF PINS	A	B	C	D	Insulator Material
15	16.90	25.00	30.80	2.29	PA9T
26	25.25	33.30	39.20	2.29	PA9T
44	38.95	47.05	53.05	2.29	PA9T
62	55.40	63.50	69.40	2.41	PA6T

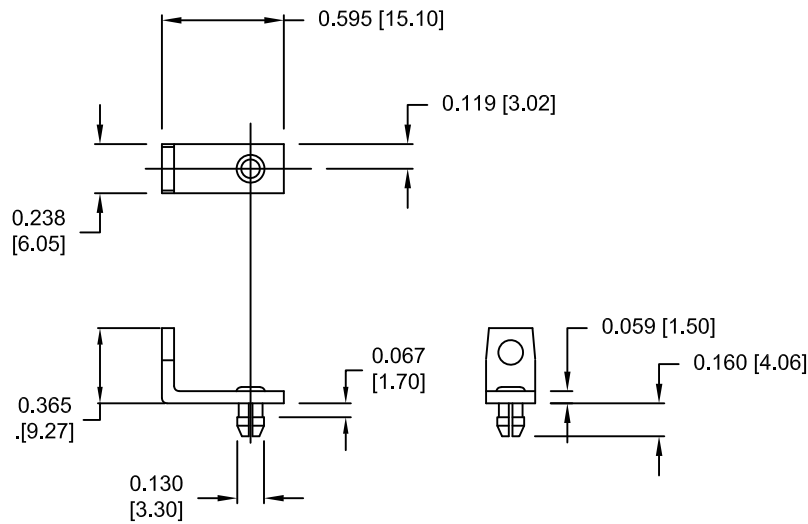
**RoHS COMPLIANT**

UNITS = INCHES [mm]

**DO NOT SCALE FROM DRAWING**

	THESE DRAWINGS AND SPECIFICATIONS ARE THE PROPERTY OF NorComp AND SHALL NOT BE REPRODUCED, COPIED OR USED AS THE BASIS FOR THE MANUFACTURE OF SALE OF APPARATUS WITHOUT WRITTEN PERMISSION.		DRAWN: C. SMITH	DATE: 03-16-07
	<h1>NorComp</h1>		SCALE: NTS	SHEET 1 OF 4
DWG NO. 181-MYY-1YYRYYY				

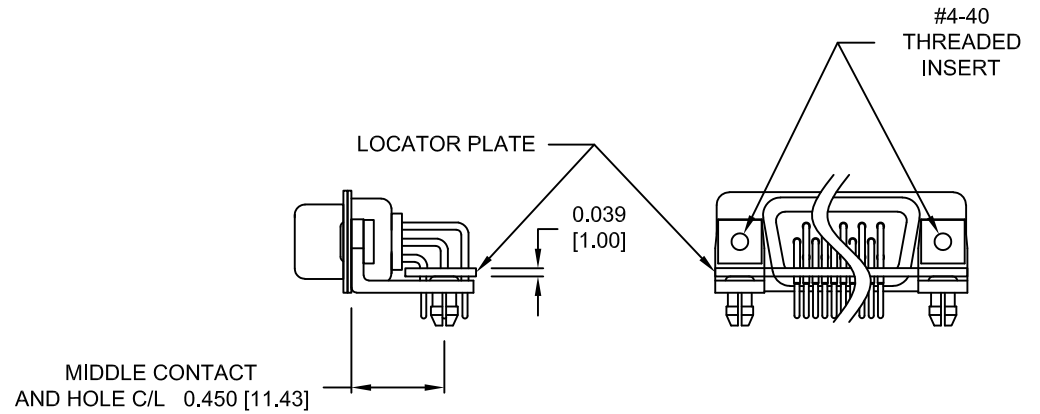
DESCRIPTION: HIGH DENSITY - MACHINED CONTACTS - RIGHT ANGLE



MOUNTING BRACKET WITH BOARD LOCK

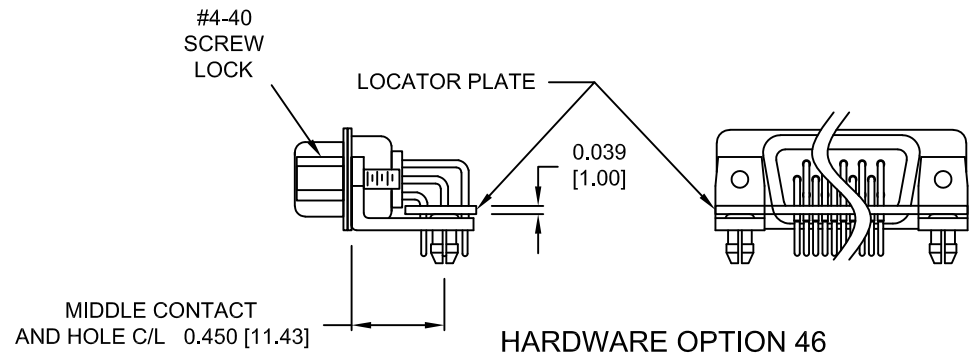
MATERIAL: COLD ROLLED STEEL

PLATING: CLEAR ZINC



HARDWARE OPTION 14

BRACKETS MOUNTED ON CONNECTOR WITH LOCATOR PLATE



HARDWARE OPTION 46

FOR CLARITY  
HIDDEN LINES  
NOT SHOWN

UNITS = INCHES [mm]

DO NOT SCALE FROM DRAWING



THESE DRAWINGS AND SPECIFICATIONS ARE THE PROPERTY OF NorComp AND SHALL NOT BE REPRODUCED, COPIED OR USED AS THE BASIS FOR THE MANUFACTURE OF SALE OF APPARATUS WITHOUT WRITTEN PERMISSION.

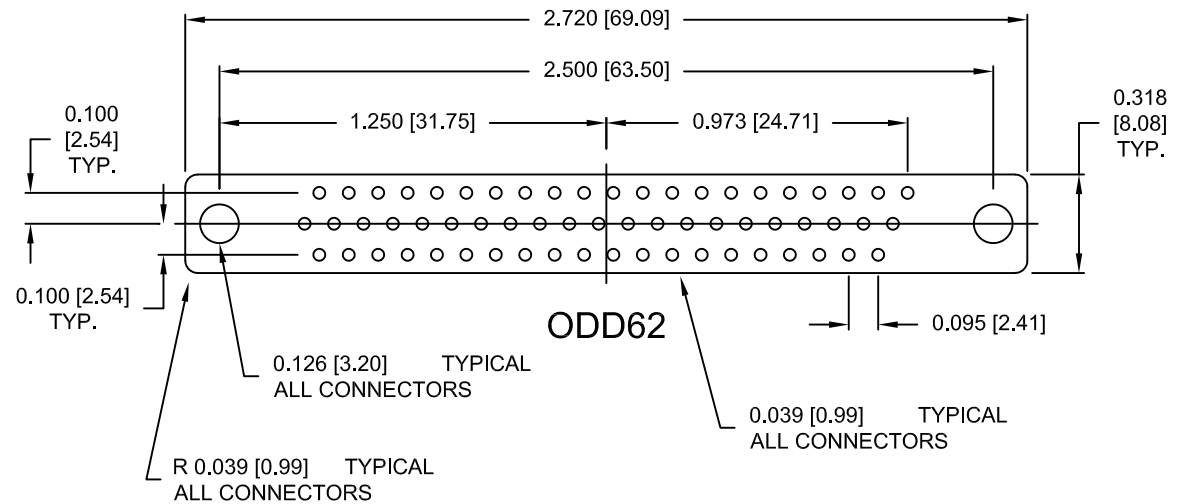
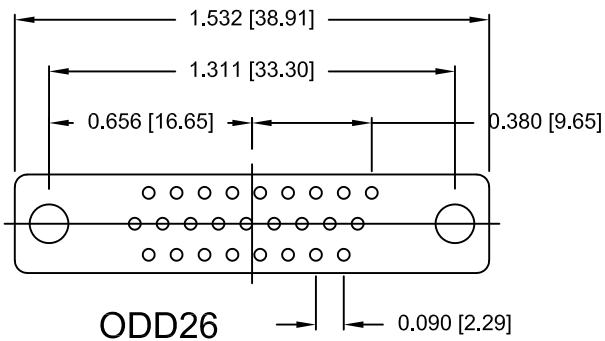
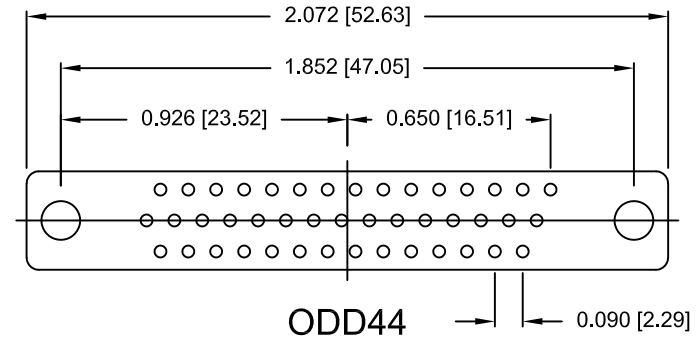
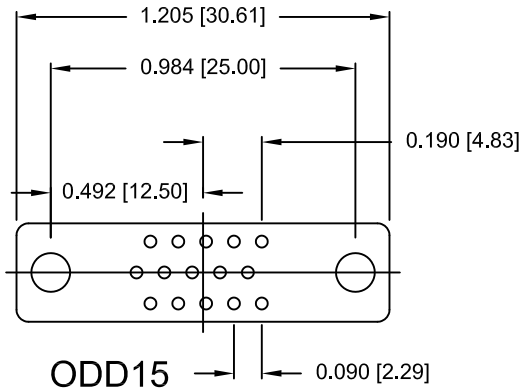
DRAWN: C. SMITH		DATE: 03-16-07	
SCALE: NTS	SHEET 2	OF 4	REV 24
DWG NO. 181-MYY-1YYRYYY			

NorComp

DESCRIPTION: HIGH DENSITY LOCATOR PLATES - 15, 26, 44, 62 & 78

NOTE: MALE LOCATOR PLATE SHOWN  
FLIP FOR FEMALE

MATERIAL: INSULATION PAPER  
0.039" THICK



UNITS = INCHES [mm]

DO NOT SCALE FROM DRAWING



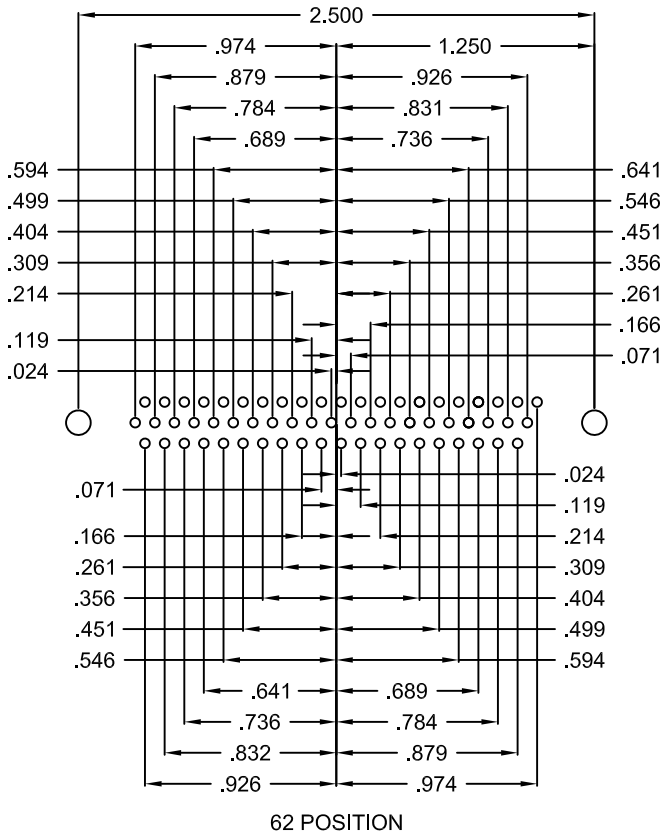
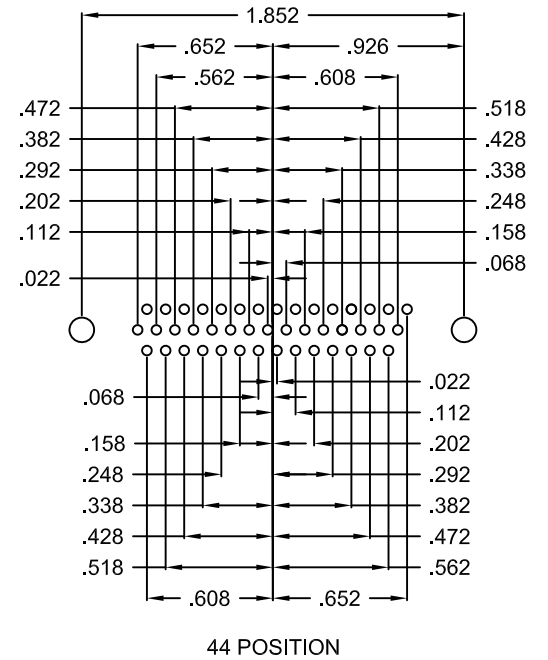
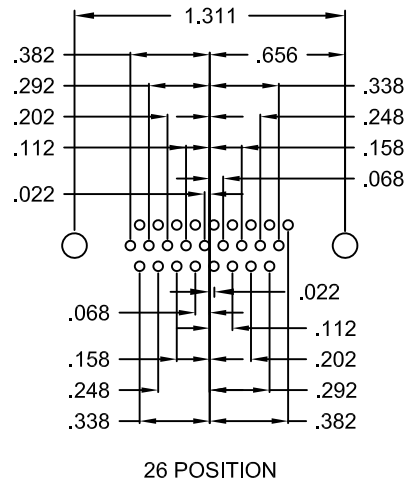
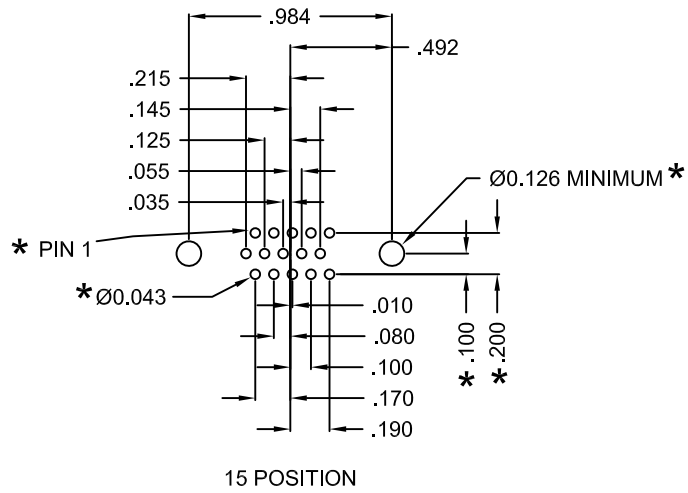
THESE DRAWINGS AND SPECIFICATIONS ARE THE PROPERTY OF NorComp AND SHALL NOT BE REPRODUCED, COPIED OR USED AS THE BASIS FOR THE MANUFACTURE OF SALE OF APPARATUS WITHOUT WRITTEN PERMISSION.

DRAWN: <b>C. SMITH</b>		DATE: <b>03-16-07</b>	
SCALE: <b>NTS</b>	SHEET <b>3</b>	OF <b>4</b>	REV <b>24</b>
DWG NO. <b>181-MYY-1YYRYYY</b>			

RoHS COMPLIANT

**NorComp**


DESCRIPTION: HIGH DENSITY - MACHINED CONTACTS - RIGHT ANGLE



\* TYP SUGGESTED SIZE MAY NOT BE SUITABLE FOR ALL APPLICATIONS

UNITS = INCHES [mm]

DO NOT SCALE FROM DRAWING

	THESE DRAWINGS AND SPECIFICATIONS ARE THE PROPERTY OF NorComp AND SHALL NOT BE REPRODUCED, COPIED OR USED AS THE BASIS FOR THE MANUFACTURE OF SALE OF APPARATUS WITHOUT WRITTEN PERMISSION.		DRAWN: <b>C. SMITH</b>	DATE: <b>03-16-07</b>
	<h1>NorComp</h1>		SCALE: NTS	SHEET OF 4 4
DWG NO.			<b>181-MYY-1YYRYYY</b>	