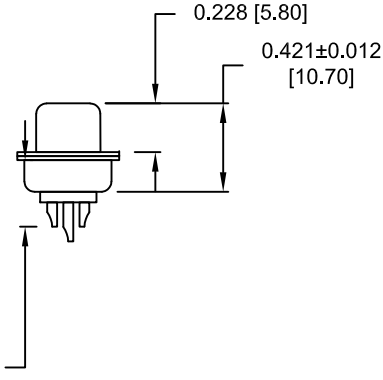
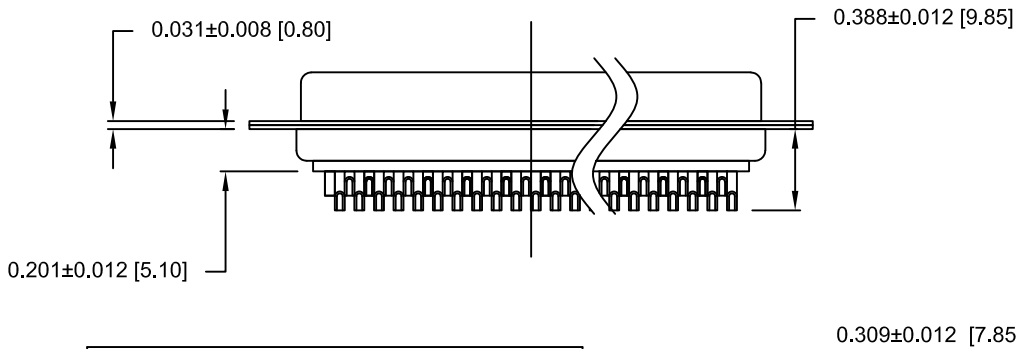
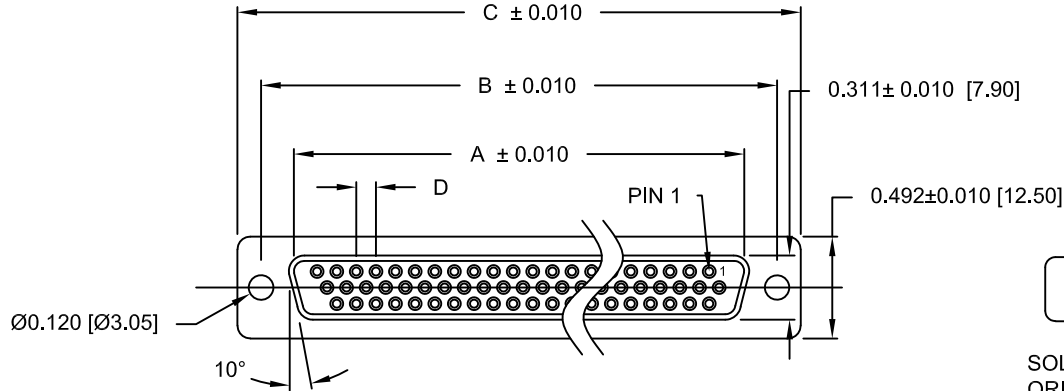


DESCRIPTION: HIGH DENSITY - MACHINED CONTACTS - SOLDER CUP



MATERIALS AND FINISH:

SHELL: STEEL MATERIAL, NICKEL FINISH
 INSULATOR: PBT THERMOPLASTIC 30% GLASS FILLED, UL 94V-0 RATED, BLACK COLOR
 CONTACT MATERIAL: COPPER ALLOY
 CONTACT FINISH: GOLD PLATED

ELECTRICAL:

CONTACT CURRENT RATING: 5 AMPS
 CONTACT RESISTANCE: 10 mOHMS Max.
 DIELECTRIC WITHSTANDING VOLTAGE: 1,000VAC Min.
 INSULATION RESISTANCE: 5 GOHMS Min.
 TEMPERATURE RATING: -55° ~ +125° C

180-MYY-20YLYYY

SERIES _____
 MACHINED CONTACTS _____
 POSITION _____
 15 _____
 26 _____
 44 _____
 62 _____
 GENDER _____
 2 = FEMALE _____
 TERMINATION _____
 0 = SOLDER CUP _____
 SHELL PLATING _____
 3 = NICKEL _____
 RoHS (LOW TEMP.) 230° PROCESS _____
 HARDWARE _____
 00 = Ø 0.120" HOLE _____
 01 = 0.098" 4-40 INSERT, BOARD SIDE _____
 02 = 0.236" 4-40 INSERT, BOARD SIDE _____
 03 = 0.236" 4-40 INSERT, MATING SIDE _____
 CONTACT PLATING _____
 1 = GOLD FLASH, ENTIRE CONTACT _____
 2 = 30u" GOLD, ENTIRE CONTACT _____

DIMENSIONS (IN.)				
No. OF PINS	A	B	C	D
15	0.642	0.984	1.213	0.090
26	0.969	1.311	1.543	0.090
44	1.512	1.852	2.089	0.090
62	2.157	2.500	2.732	0.095

DIMENSIONS (mm)				
No. OF PINS	A	B	C	D
15	16.30	25.00	30.80	2.29
26	24.60	33.30	39.20	2.29
44	38.40	47.05	53.05	2.29
62	54.80	63.50	69.40	2.41

ACCEPTS 28 - 24 AWG WIRE

UNITS = INCHES [mm]

DO NOT SCALE FROM DRAWING

	THESE DRAWINGS AND SPECIFICATIONS ARE THE PROPERTY OF NorComp AND SHALL NOT BE REPRODUCED, COPIED OR USED AS THE BASIS FOR THE MANUFACTURE OF SALE OF APPARATUS WITHOUT WRITTEN PERMISSION.	DRAWN: C. SMITH	DATE: 03-13-07
		SCALE: NTS	SHEET 1 OF 2
DWG NO. 180-MYY-20YLYYY			

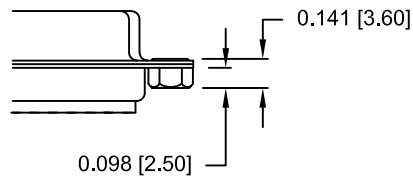
RoHS COMPLIANT

DESCRIPTION: CLINCH NUT HARDWARE

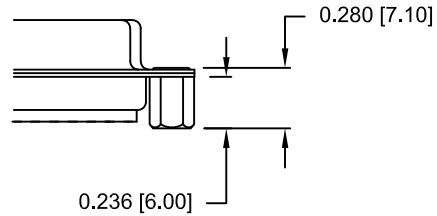
TOLERANCE:
ALL DIMENSIONS ARE ± 0.008

ALL CLINCH-NUTS ARE 4-40 INTERNAL THREADS

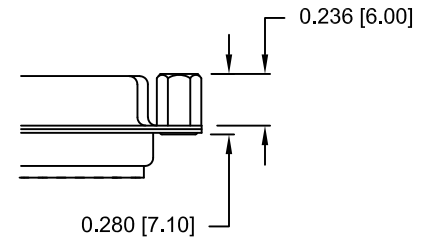
01X 0.098" (BOARD SIDE)



02X 0.236" (BOARD SIDE)



03X..... 0.236" (MATING SIDE)



UNITS = INCHES [mm]

DO NOT SCALE FROM DRAWING



THESE DRAWINGS AND SPECIFICATIONS ARE THE PROPERTY OF NorComp AND SHALL NOT BE REPRODUCED, COPIED OR USED AS THE BASIS FOR THE MANUFACTURE OF SALE OF APPARATUS WITHOUT WRITTEN PERMISSION.

DRAWN:
C. SMITH

DATE:
02-12-08

NorComp

SCALE: NTS SHEET 2 OF 2 REV 18

DWG NO. 180-MYY-20YLYYY

RoHS COMPLIANT