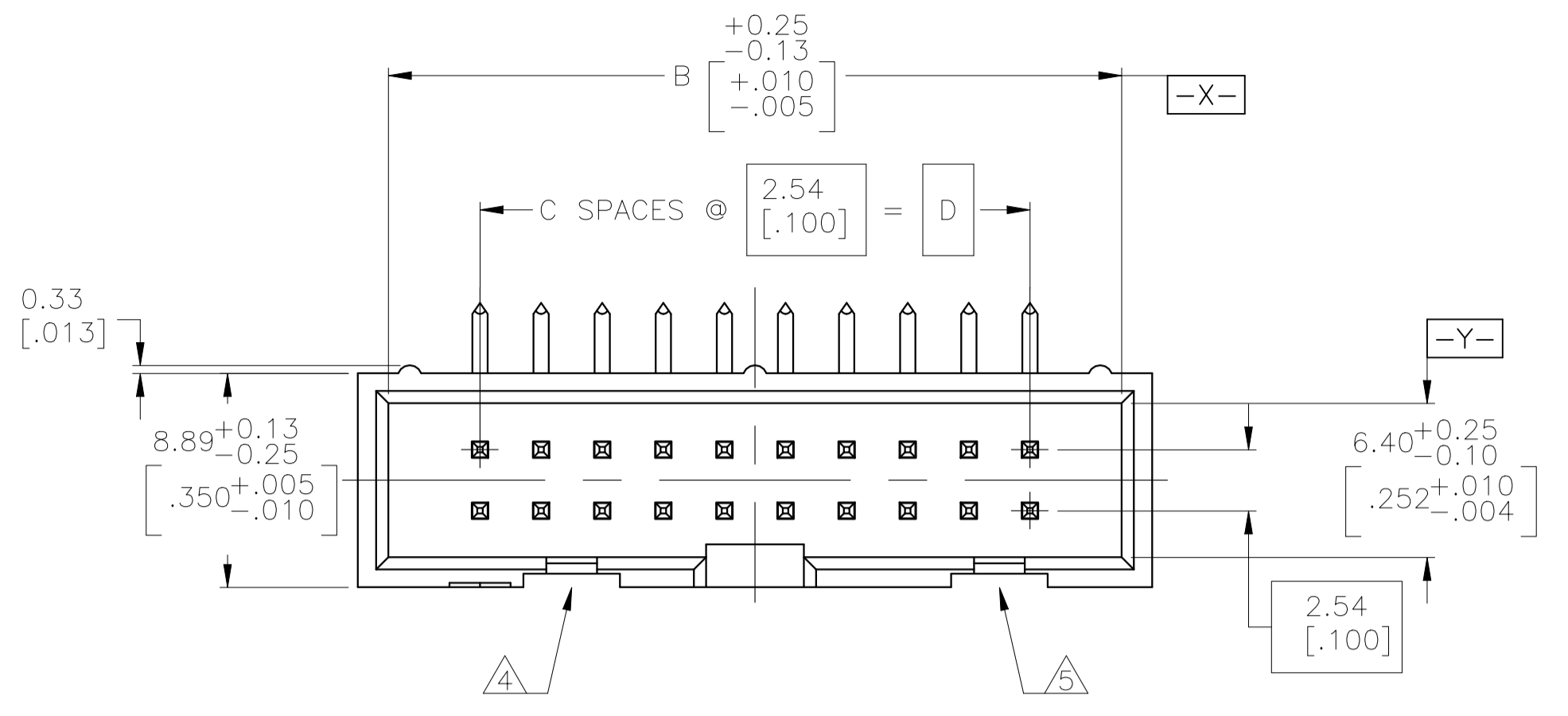
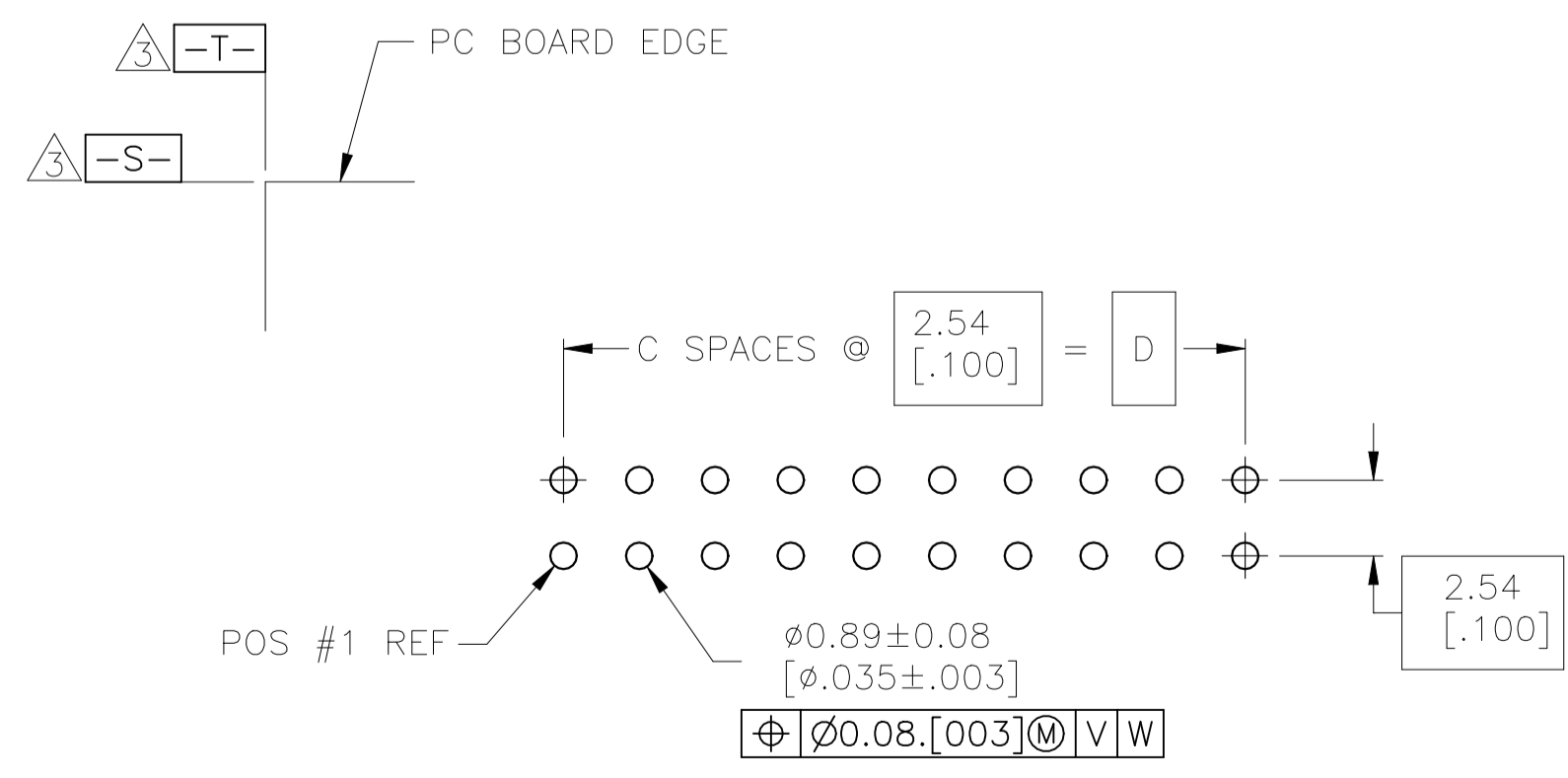
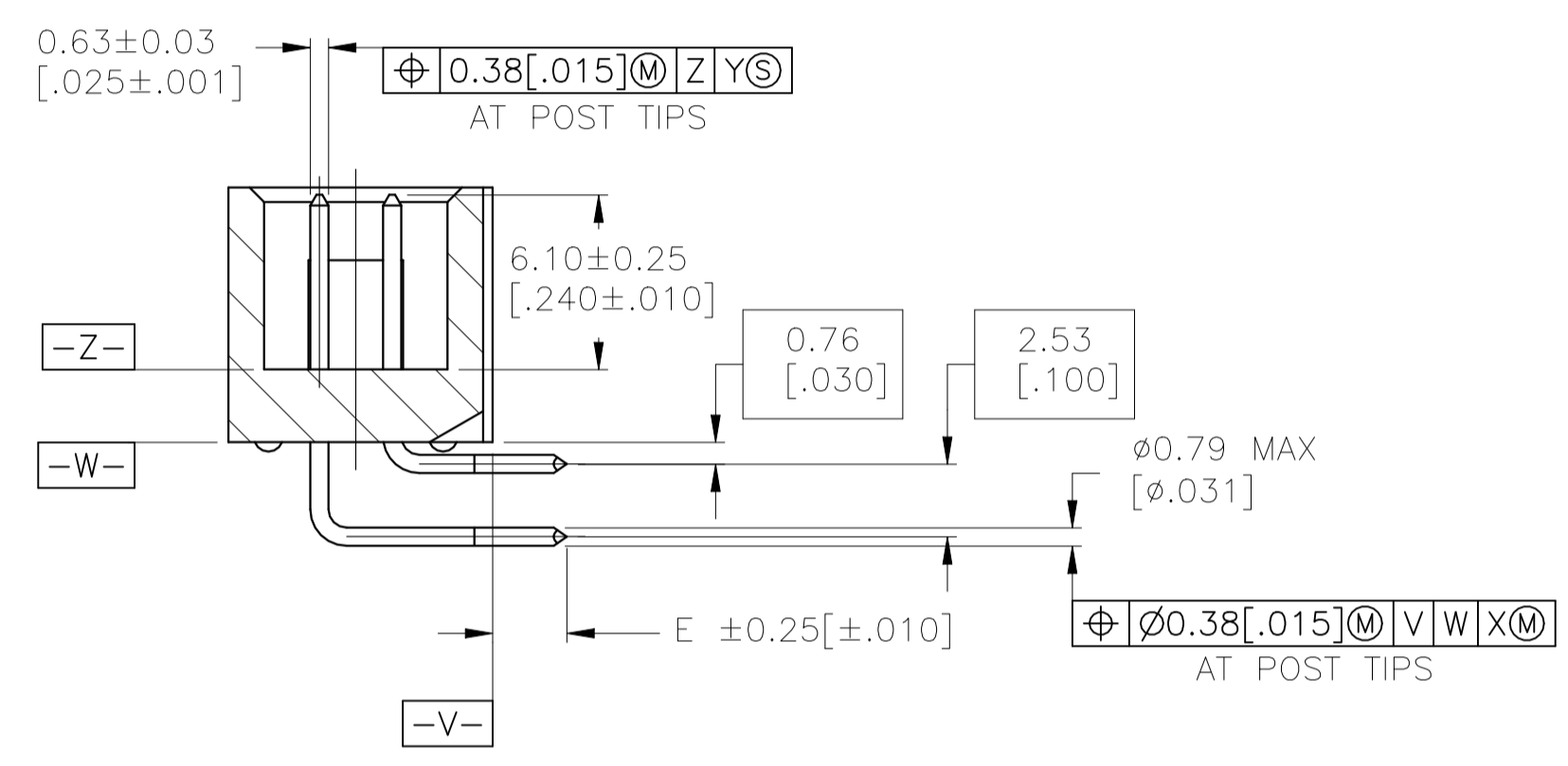
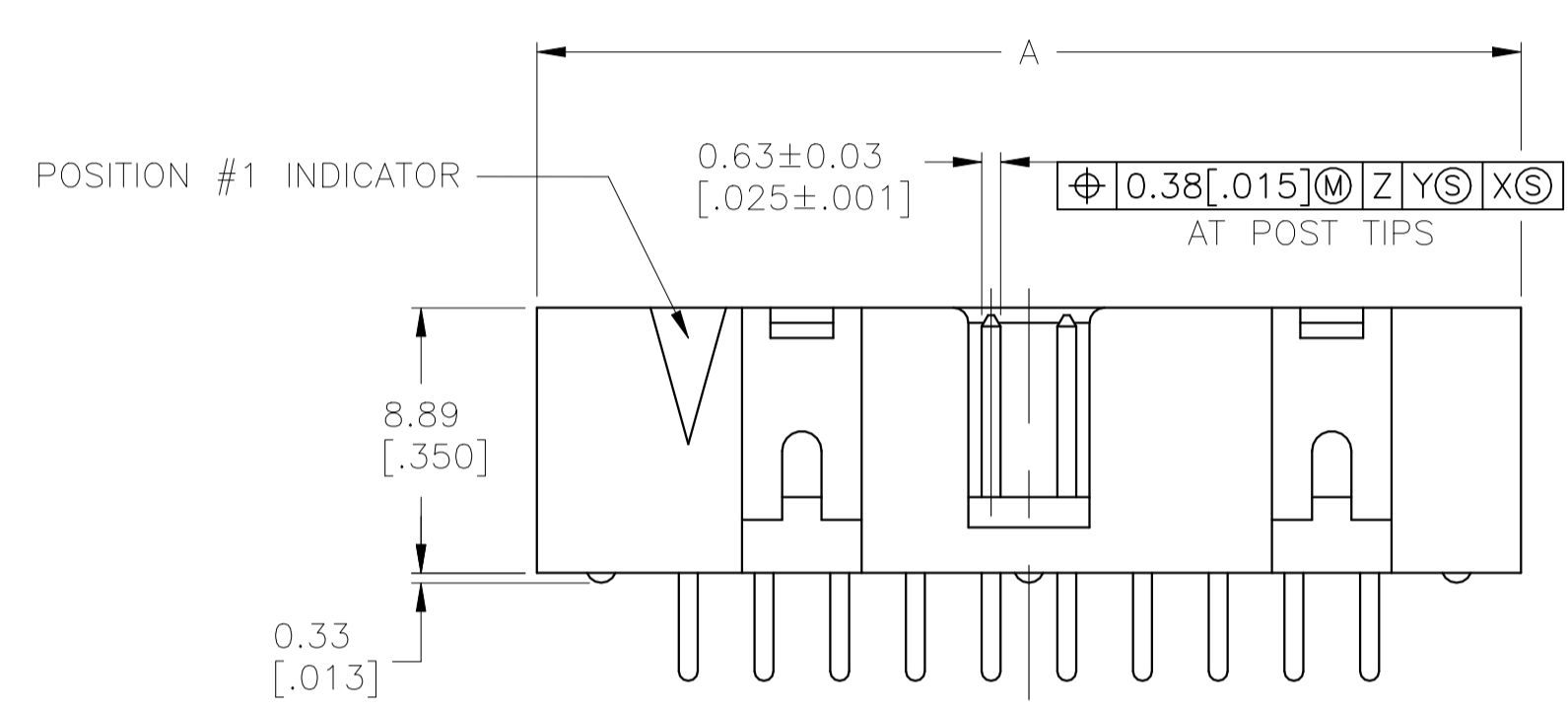


| REVISIONS | | | | |
|-----------|-----------|-----|------|------|
| REV | DATE | BY | CHKD | APPD |
| H2 | 05JAN2021 | E.Z | | V.S |



- 1 HOUSING: PBT, UL94V-0, COLOR (SEE TABLE).
- 2 POSTS: PHOSPHOR BRONZE.
- 3 POSTS: 0.00076[.000030] MIN GOLD ON MATING AREA, 0.00254[.000100] MIN TIN ON SOLDER END, ALL OVER 0.00127[.000050] MIN NICKEL ON ENTIRE POST.
- 4 DATUMS S & T TO BE ESTABLISHED BY CUSTOMER.
- 5 NO KEYING SLOT ON THIS END FOR 6, 10, 12 & 14 POSITION ASSEMBLIES.
- 6 NO KEYING SLOT ON THIS END FOR 6 & 10 POSITION ASSEMBLIES.



RECOMMENDED PC BOARD LAYOUT (VIEWED FROM CONNECTOR SIDE)

| REV | DESCRIPTION | DATE | BY | CHKD | APPD | | |
|-------------|---------------|---------------|----|---------------|---------------|-----------|-------------|
| 4.06 [.160] | BLUE | 10.16 [.400] | 4 | 17.78 [.700] | 20.32 [.800] | 10 | 4-1761605-0 |
| | BLUE | 78.74 [3.400] | 31 | 86.36 [3.400] | 88.90 [3.500] | 64 | 3-1761605-7 |
| | BLUE | 60.96 [2.400] | 24 | 68.58 [2.700] | 71.12 [2.800] | 50 | 3-1761605-5 |
| | BLUE | 53.34 [2.100] | 21 | 60.96 [2.400] | 63.50 [2.500] | 44 | 3-1761605-4 |
| | BLUE | 48.26 [1.900] | 19 | 55.88 [2.200] | 58.42 [2.300] | 40 | 3-1761605-3 |
| | BLUE | 43.18 [1.700] | 17 | 50.80 [2.000] | 53.34 [2.100] | 36 | 3-1761605-2 |
| | BLUE | 40.64 [1.600] | 16 | 48.26 [1.900] | 50.80 [2.000] | 34 | 3-1761605-1 |
| | BLUE | 35.56 [1.400] | 14 | 43.18 [1.700] | 45.72 [1.800] | 30 | 3-1761605-0 |
| | BLUE | 30.48 [1.200] | 12 | 38.10 [1.500] | 40.64 [1.600] | 26 | 2-1761605-9 |
| | BLUE | 27.94 [1.100] | 11 | 35.56 [1.400] | 38.10 [1.500] | 24 | 2-1761605-8 |
| | BLUE | 22.86 [.900] | 9 | 30.48 [1.200] | 33.02 [1.300] | 20 | 2-1761605-7 |
| | BLUE | 17.78 [.700] | 7 | 25.40 [1.000] | 27.94 [1.100] | 16 | 2-1761605-6 |
| | BLUE | 15.24 [.600] | 6 | 22.86 [.900] | 25.40 [1.000] | 14 | 2-1761605-5 |
| | BLUE | 12.70 [.500] | 5 | 20.32 [.800] | 22.86 [.900] | 12 | 2-1761605-4 |
| | BLUE | 10.16 [.400] | 4 | 17.78 [.700] | 20.32 [.800] | 10 | 2-1761605-3 |
| 2.59 [.102] | BLUE | 5.08 [.200] | 2 | 12.70 [.500] | 15.24 [.600] | 6 | 2-1761605-1 |
| OBSOLETE | BLACK | 73.66 [2.900] | 29 | 81.28 [3.200] | 83.82 [3.300] | 60 | 1-1761605-6 |
| OBSOLETE | BLACK | 60.96 [2.400] | 24 | 68.58 [2.700] | 71.12 [2.800] | 50 | 1-1761605-5 |
| OBSOLETE | BLACK | 53.34 [2.100] | 21 | 60.96 [2.400] | 63.50 [2.500] | 44 | 1-1761605-4 |
| OBSOLETE | BLACK | 48.26 [1.900] | 19 | 55.88 [2.200] | 58.42 [2.300] | 40 | 1-1761605-3 |
| OBSOLETE | BLACK | 40.64 [1.600] | 16 | 48.26 [1.900] | 50.80 [2.000] | 34 | 1-1761605-1 |
| OBSOLETE | BLACK | 35.56 [1.400] | 14 | 43.18 [1.700] | 45.72 [1.800] | 30 | 1-1761605-0 |
| OBSOLETE | BLACK | 30.48 [1.200] | 12 | 38.10 [1.500] | 40.64 [1.600] | 26 | 1761605-9 |
| OBSOLETE | BLACK | 22.86 [.900] | 9 | 30.48 [1.200] | 33.02 [1.300] | 20 | 1761605-7 |
| OBSOLETE | BLACK | 17.78 [.700] | 7 | 25.40 [1.000] | 27.94 [1.100] | 16 | 1761605-6 |
| OBSOLETE | BLACK | 15.24 [.600] | 6 | 22.86 [.900] | 25.40 [1.000] | 14 | 1761605-5 |
| OBSOLETE | BLACK | 10.16 [.400] | 4 | 17.78 [.700] | 20.32 [.800] | 10 | 1761605-3 |
| E | HOUSING COLOR | D | C | B | A | NO OF POS | PART NUMBER |

**COPYRIGHT 2005
TE CONNECTIVITY CORP
ALL RIGHTS RESERVED**

THIS DRAWING IS A CONTROLLED DOCUMENT.

| | | | | | | | |
|-------------------------|--|--------------------------|-----------------------|--|------------|---------------|--------|
| DIMENSIONS: mm [INCHES] | TOLERANCES UNLESS OTHERWISE SPECIFIED: | DIN J. GERACE 11FEB05 | CHK S. BOLASH 11FEB05 | TE Connectivity | | | |
| 0. PLC ± - | 1. PLC ± - | APPR M. WALMSLEY 11FEB05 | NAME | HEADER ASSEMBLY, RIGHT ANGLE, LOW PROFILE, IDC | | | |
| 2. PLC ± - | 3. PLC ± 0.13[.005] | APPLICATION SPEC | SIZE | CAGE CODE | DRAWING NO | RESTRICTED TO | |
| 4. PLC ± - | ANGLES ± - | WEIGHT | 0.000000 | A1 | 00779 | 1761605 | |
| MATERIAL | FINISH | CUSTOMER DRAWING | SCALE | 4:1 | SHEET | 1 of 1 | REV H2 |

Mouser Electronics

Authorized Distributor

Click to View Pricing, Inventory, Delivery & Lifecycle Information:

[TE Connectivity:](#)

[2-1761605-5](#)