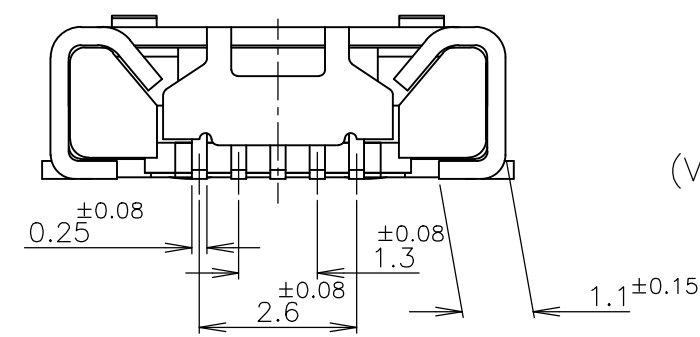
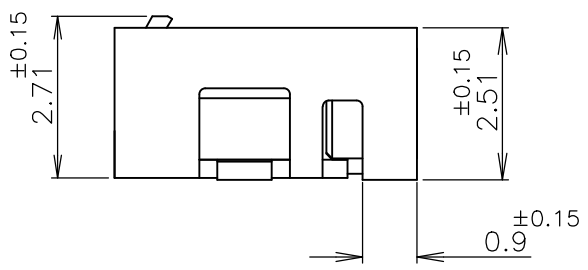
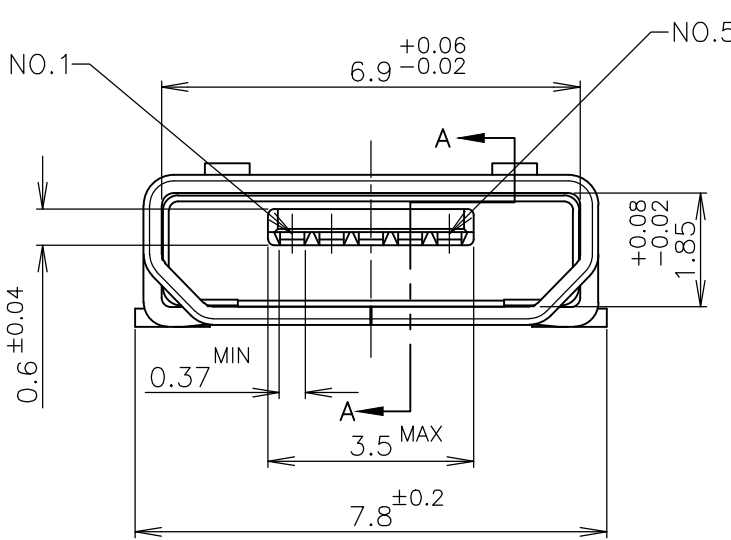
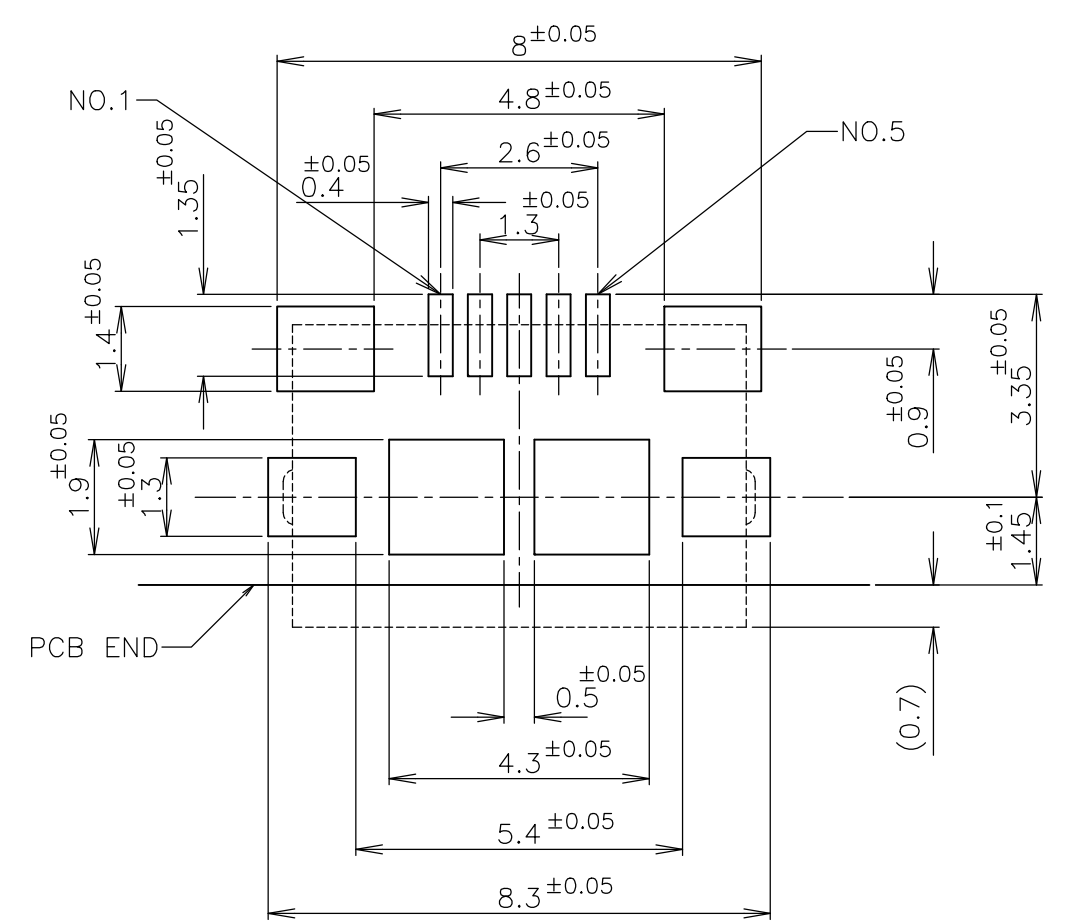
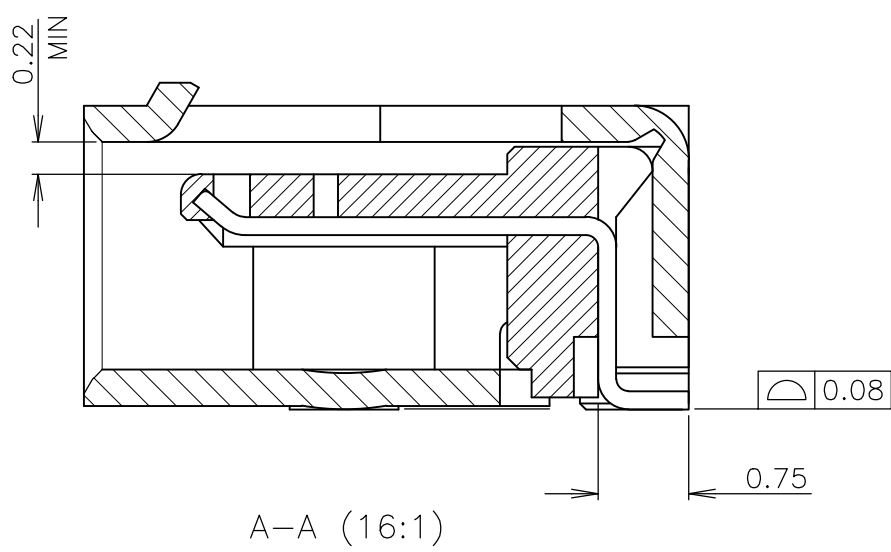
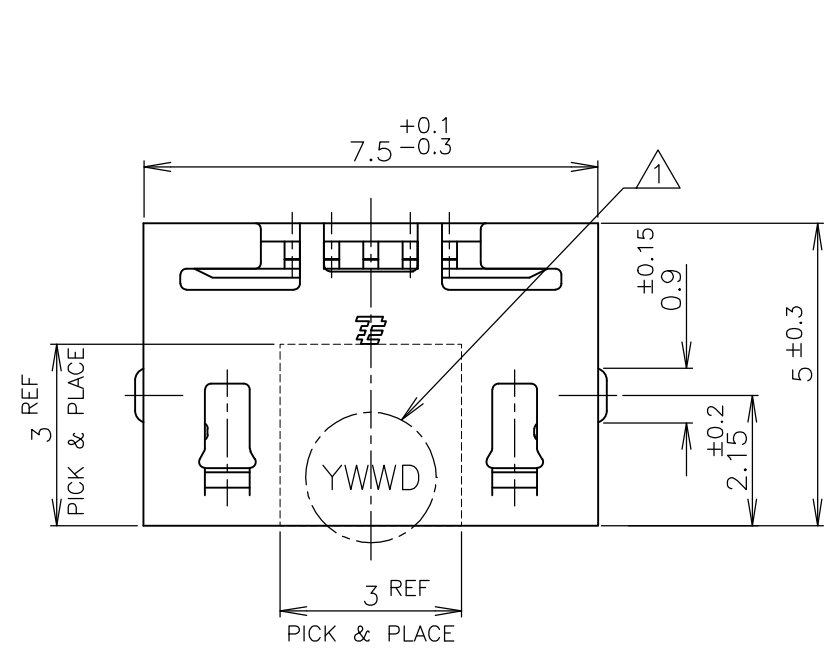
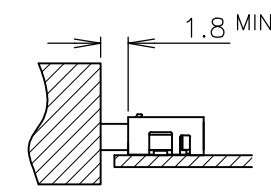


REVISIONS 変更					
P	LTR	DESCRIPTION	DATE	DWN	APVD
	B	REVISED PER ECR-20-012627	09SEP2020	R.M	S.H



PCB LAYOUT (REFERENCE)
(VIEWED FROM CONNECTOR MOUNT SIDE)

DISTANCE BETWEEN PLUG & RECE



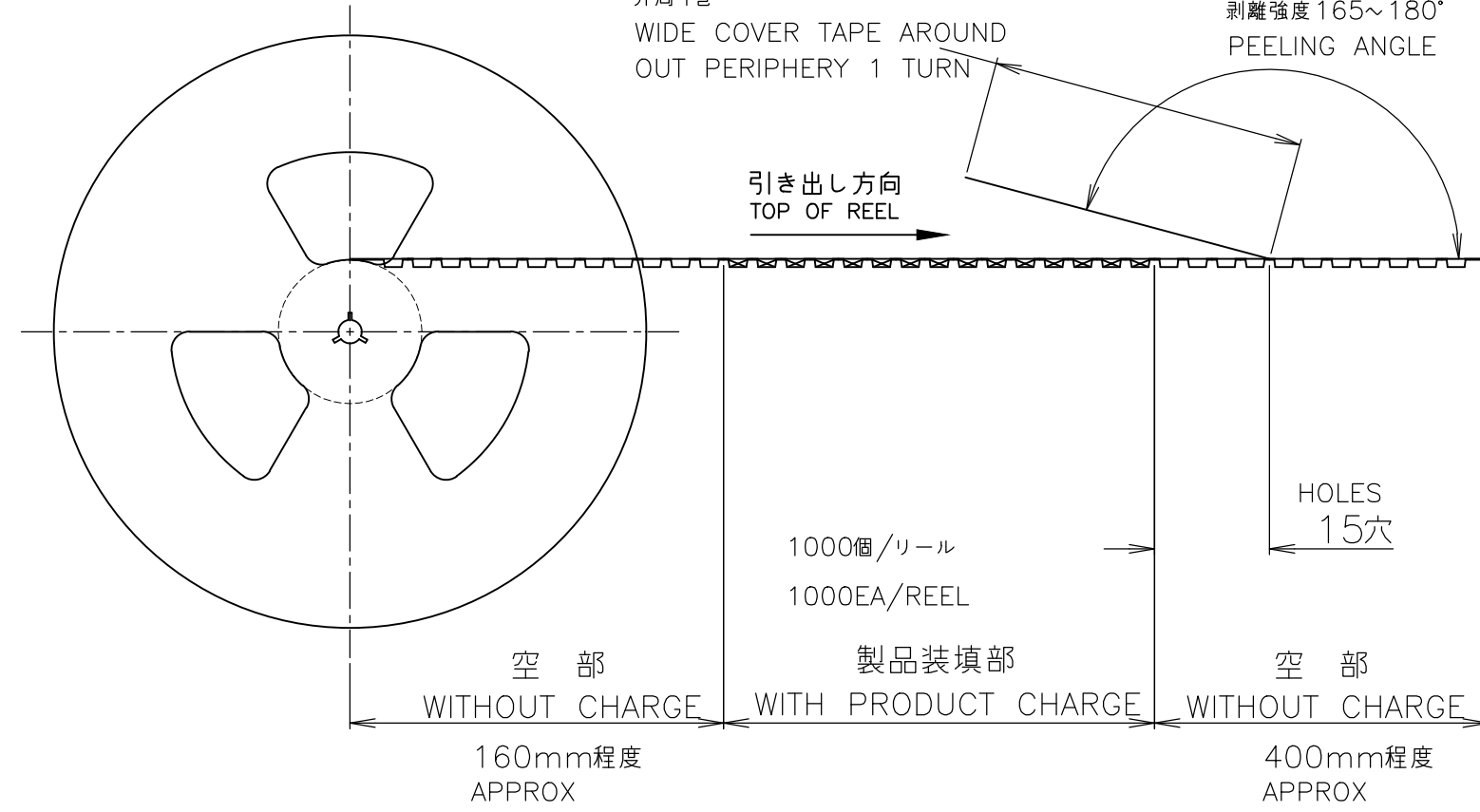
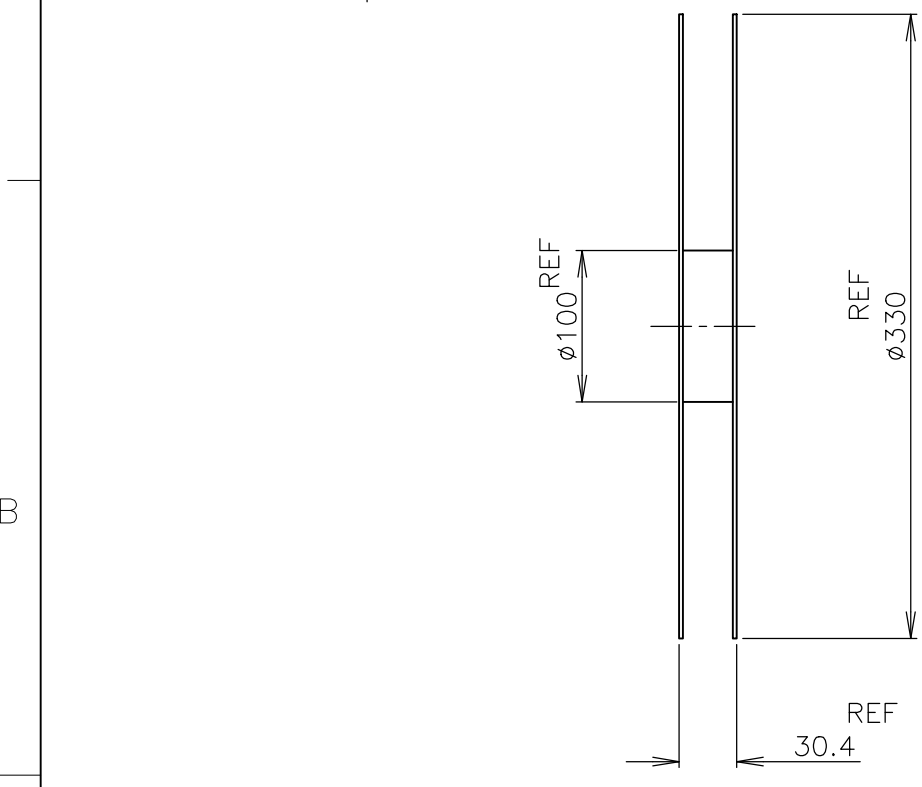
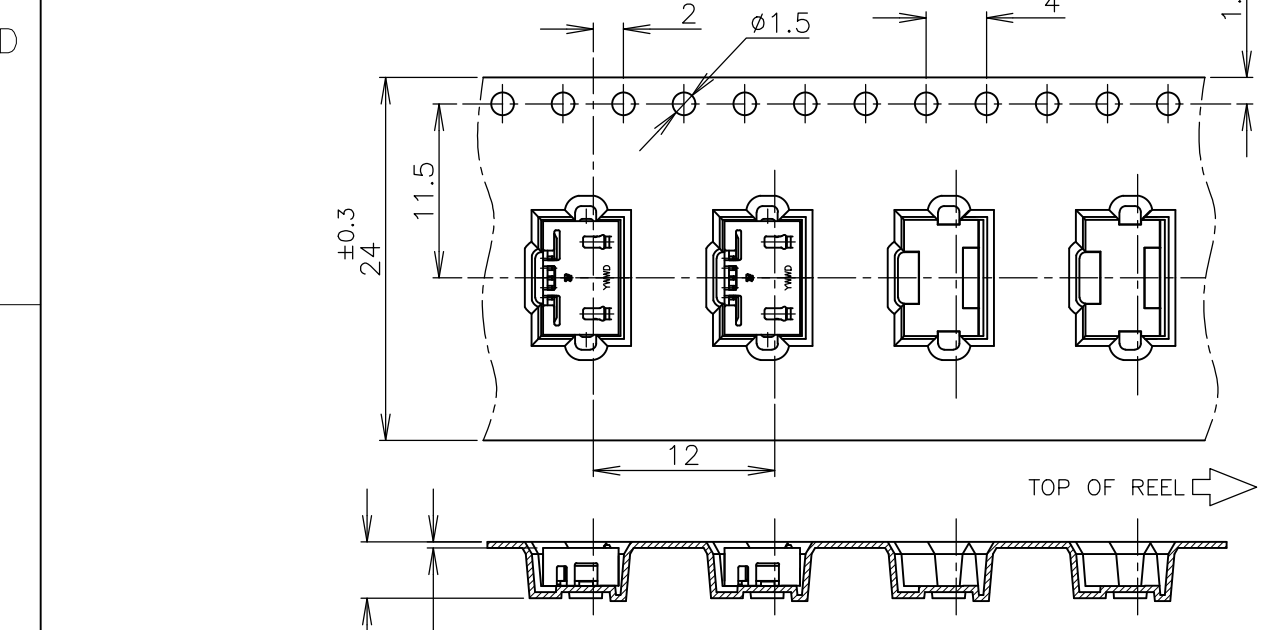
▲ LASER MARKING: YWWD
DATE CODE
(YEAR, WEEK, DAY)

- OVERALL TOLERANCE: ± 0.2
- MATERIAL HOUSING: THERMOPLASTIC RESIN UL94V-0
CONTACT: COPPER ALLOY
SHELL : STAINLESS STEEL (APPLIED GREASE AT LOCK POSITION)
- FINISH CONTACT: Ni UNDER PL
Au PL
SHELL : Ni UNDER PL
Sn PL 1 μ m MIN. FOR 2174507-2
Sn PL 2 μ m MIN. FOR 2174507-3
- PREVENTION OF WRENCHING
PLEASE HOLD THE TOP AND THE SIDE OF CONNECTOR BY THE CASE.
- PREVENTION OF HITTING DURING PLUG INSERTION
PLEASE SET THE INSERTION GUIDE ALONG THE MATING SURFACE.

THIS DRAWING IS A CONTROLLED DOCUMENT.		DWN C.OHASHI 07NOV2011	TE Connectivity Ltd.		
DIMENSIONS: 単位: 耗 mm		CHK A.KUBO 08NOV2011			
TOLERANCES UNLESS OTHERWISE SPECIFIED: 一般公差		APVD T.KUSUHARA 08NOV2011	NAME 名称		
0 PLC \pm -		PRODUCT SPEC 製品規格 108-78434	MICRO USB RECEPTACLE STANDARD 2DIP TYPE B FLANGELESS		
1 PLC \pm -		APPLICATION SPEC 取付適用規格 408-78009	SIZE	CAGE CODE	DRAWING NO 番号
2 PLC \pm -		WEIGHT 0.22g	A3	00779	C-2174507
3 PLC \pm -		CUSTOMER DRAWING	SCALE 尺度	SHEET	REV
4 PLC \pm -			8:1	1 OF 3	B
ANGLES \pm -					
FINISH 仕上					
MATERIAL 材料					

2174507-3
2174507-2
PART NUMBER

REVISIONS 変更					
P	LTR	DESCRIPTION	DATE	DWN	APVD
	-	SEE SHEET 1	-	-	-



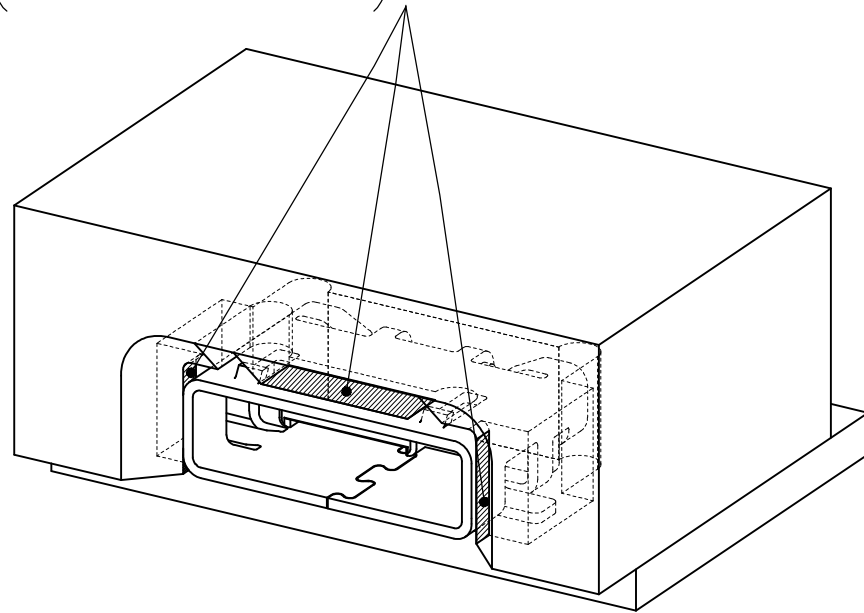
カバーテープリーダー部
外周1巻
WIDE COVER TAPE AROUND
OUT PERIPHERY 1 TURN

剥離強度 0.1-1.3N MAX (300±10mm/min)
PEELING STRENGTH
剥離強度 165~180°
PEELING ANGLE

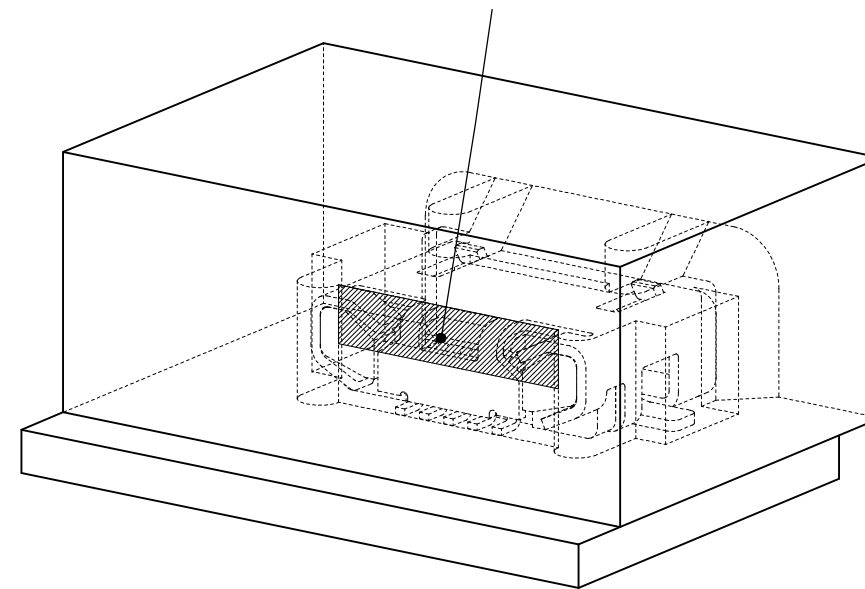
THIS DRAWING IS A CONTROLLED DOCUMENT.		DWN	STE TE Connectivity Ltd.		
DIMENSIONS: 単位: 耗 mm		CHK			
TOLERANCES UNLESS OTHERWISE SPECIFIED: 一般公差		APVD	NAME 名称		
0 PLC ±-		PRODUCT SPEC 製品規格	MICRO USB RECEPTACLE STANDARD 2DIP TYPE B FLANGELESS		
1 PLC ±-		APPLICATION SPEC 取付適用規格	SIZE	CAGE CODE	DRAWING NO 番号
2 PLC ±-		WEIGHT	A3	00779	G-2174507
3 PLC ±-		RESTRICTED TO			
4 PLC ±-		-			
ANGLES ±-		CUSTOMER DRAWING			
MATERIAL 材料		SCALE 尺度 NTS			
FINISH 仕上		SHEET 2 OF 3			
		REV B			

REVISIONS 変更					
P	LTR	DESCRIPTION	DATE	DWN	APVD
	-	SEE SHEET 1	-	-	-


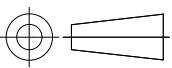
CONNECTOR INSERTION OPENING
(HOLD SHELL)



CONNECTOR BACK SIDE
(HOLD SHELL AND HOUSING)



GUIDE CASE FOR WRENCHING (REFERENCE)

THIS DRAWING IS A CONTROLLED DOCUMENT.		DWN	 TE Connectivity Ltd.		
		CHK			
DIMENSIONS: 単位: 耗 mm		TOLERANCES UNLESS OTHERWISE SPECIFIED: 一般公差		NAME 名称 MICRO USB RECEPTACLE STANDARD 2DIP TYPE B FLANGELESS	
		0 PLC ± - 1 PLC ± - 2 PLC ± - 3 PLC ± - 4 PLC ± - ANGLES ± -		PRODUCT SPEC 製品規格	
		MATERIAL 材料		APPLICATION SPEC 取付適用規格	
		FINISH 仕上		WEIGHT RESTRICTED TO -	
CUSTOMER DRAWING			SCALE 尺度 NTS	SHEET 3 OF 3	REV B

Mouser Electronics

Authorized Distributor

Click to View Pricing, Inventory, Delivery & Lifecycle Information:

[TE Connectivity:](#)

[2174507-2](#)