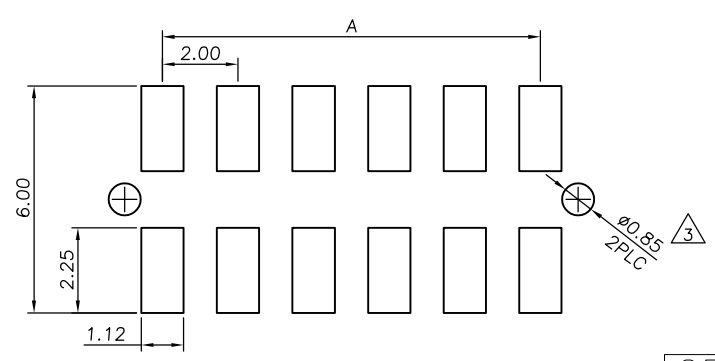
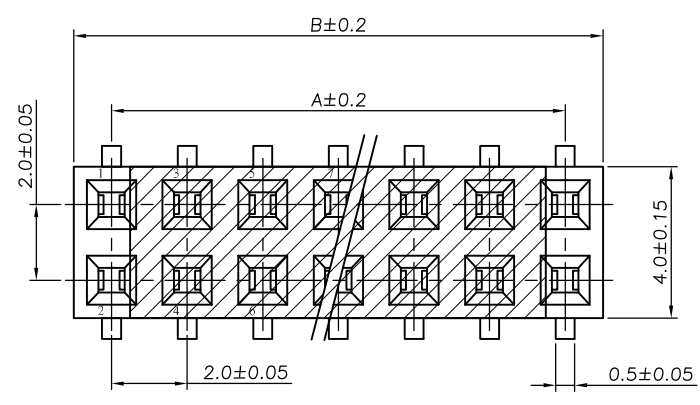
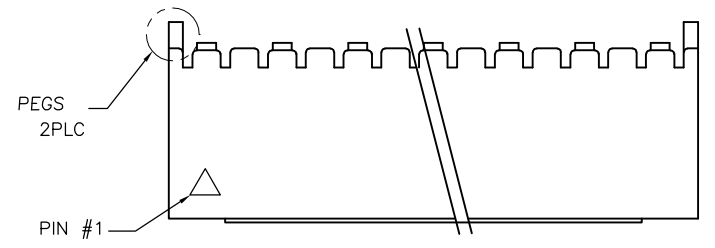


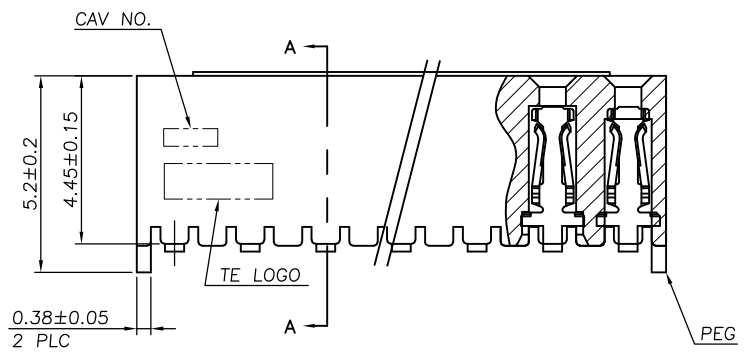
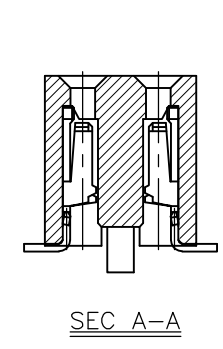
THIS DRAWING IS UNPUBLISHED RELEASED FOR PUBLICATION AUG 2006.

© COPYRIGHT 2006 By - ALL RIGHTS RESERVED.

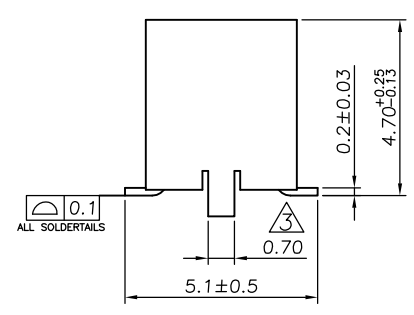
| LOC | DIST | REVISIONS |     |                           |         |     |      |
|-----|------|-----------|-----|---------------------------|---------|-----|------|
| IR  | -    | P         | LTR | DESCRIPTION               | DATE    | DWN | APVD |
|     |      |           | A4  | REVISED PER ECO-12-013073 | 16JUL12 | KH  | JO   |



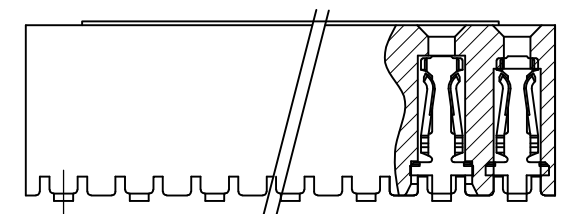
RECOMMENDED PCB LAYOUT



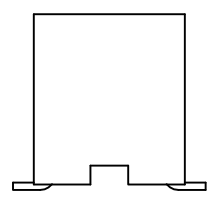
1a



1b



2a



2b

OBSOLETE  
OBSOLETE  
OBSOLETE  
OBSOLETE

OBSOLETE  
OBSOLETE  
OBSOLETE  
OBSOLETE  
OBSOLETE  
OBSOLETE  
OBSOLETE  
OBSOLETE

OBSOLETE  
OBSOLETE  
OBSOLETE  
OBSOLETE  
OBSOLETE  
OBSOLETE

OBSOLETE  
OBSOLETE

OBSOLETE  
OBSOLETE  
OBSOLETE

|                       |       |       |             |             |
|-----------------------|-------|-------|-------------|-------------|
| NO, SEE VIEWS 2a, 2b  | 38.00 | 40.00 | 40          | 9-1734516-0 |
|                       | 36.00 | 38.00 | 38          | 8-1734516-8 |
|                       | 34.00 | 36.00 | 36          | 8-1734516-6 |
|                       | 32.00 | 34.00 | 34          | 8-1734516-4 |
|                       | 30.00 | 32.00 | 32          | 8-1734516-2 |
|                       | 28.00 | 30.00 | 30          | 8-1734516-0 |
|                       | 26.00 | 28.00 | 28          | 7-1734516-8 |
|                       | 24.00 | 26.00 | 26          | 7-1734516-6 |
|                       | 22.00 | 24.00 | 24          | 7-1734516-4 |
|                       | 20.00 | 22.00 | 22          | 7-1734516-2 |
| YES, SEE VIEWS 1a, 1b | 18.00 | 20.00 | 20          | 7-1734516-0 |
|                       | 16.00 | 18.00 | 18          | 6-1734516-8 |
|                       | 14.00 | 16.00 | 16          | 6-1734516-6 |
|                       | 12.00 | 14.00 | 14          | 6-1734516-4 |
|                       | 10.00 | 12.00 | 12          | 6-1734516-2 |
|                       | 8.00  | 10.00 | 10          | 6-1734516-0 |
|                       | 6.00  | 8.00  | 8           | 5-1734516-8 |
|                       | 38.00 | 40.00 | 40          | 4-1734516-0 |
|                       | 36.00 | 38.00 | 38          | 3-1734516-8 |
|                       | 34.00 | 36.00 | 36          | 3-1734516-6 |
| 32.00                 | 34.00 | 34    | 3-1734516-4 |             |
| 30.00                 | 32.00 | 32    | 3-1734516-2 |             |
| 28.00                 | 30.00 | 30    | 3-1734516-0 |             |
| 26.00                 | 28.00 | 28    | 2-1734516-8 |             |
| 24.00                 | 26.00 | 26    | 2-1734516-6 |             |
| 22.00                 | 24.00 | 24    | 2-1734516-4 |             |
| 20.00                 | 22.00 | 22    | 2-1734516-2 |             |
| 18.00                 | 20.00 | 20    | 2-1734516-0 |             |
| 16.00                 | 18.00 | 18    | 1-1734516-8 |             |
| 14.00                 | 16.00 | 16    | 1-1734516-6 |             |
| 12.00                 | 14.00 | 14    | 1-1734516-4 |             |
| 10.00                 | 12.00 | 12    | 1-1734516-2 |             |
| 8.00                  | 10.00 | 10    | 1-1734516-0 |             |
| 6.00                  | 8.00  | 8     | 0-1734516-8 |             |

| ALIGNMENT PEGS | A | B | No. of CONTACTS | PART NUMBER |
|----------------|---|---|-----------------|-------------|
|----------------|---|---|-----------------|-------------|

- 1 MATERIAL :  
HOUSING : THERMOPLASTIC, UL94V-0, BLACK COLOR.  
CONTACT : PHOSPHOR BRASS, THICKNESS=0.20MM.
- 2 FINISH :  
30M" MIN. GOLD PLATED ON CONTACT AREA  
100M" MIN. MATTE TIN PLATED ON SOLDER TAIL,  
50M" MIN. NICKEL UNDERPLATED OVER ALL.
- 3 ONLY APPLIES TO  
P/NS. : 0-1734516-8 ~ 4-1734516-0
- 4 REFLOW SOLDER CAPABLE TO 245°C PER TE SPEC 109-201, CONDITION A.
- 5 QUALIFICATION TEST REPORT: 501-57197

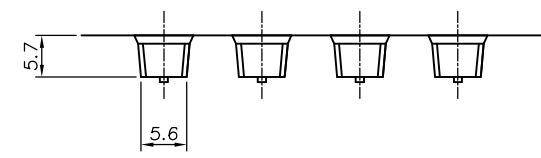
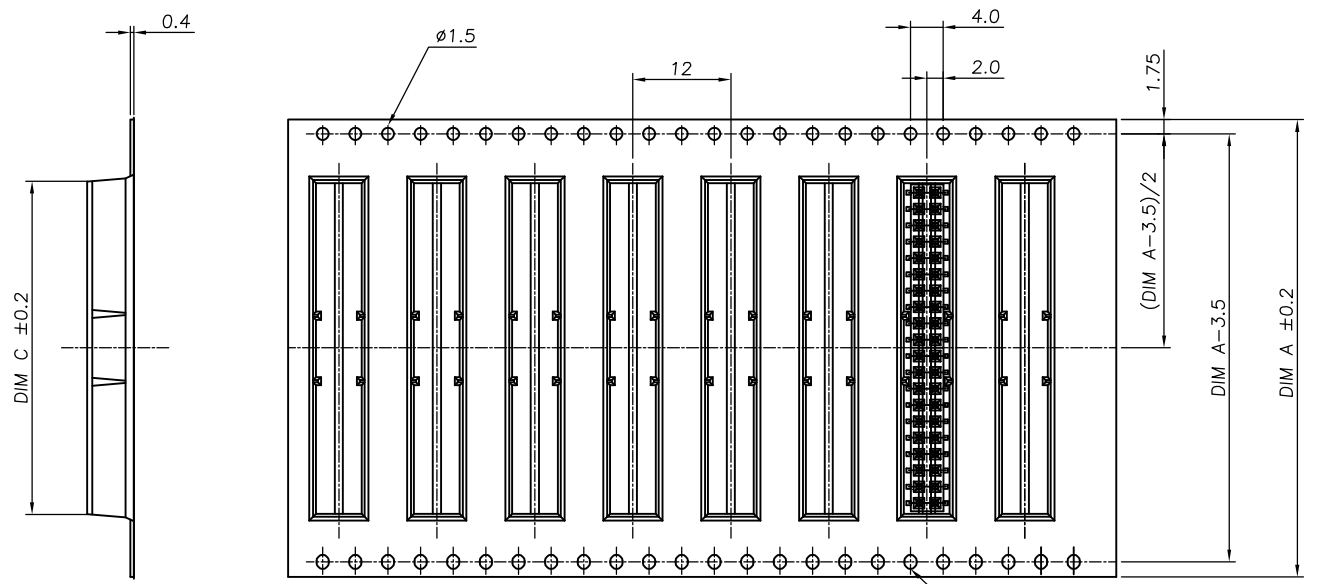
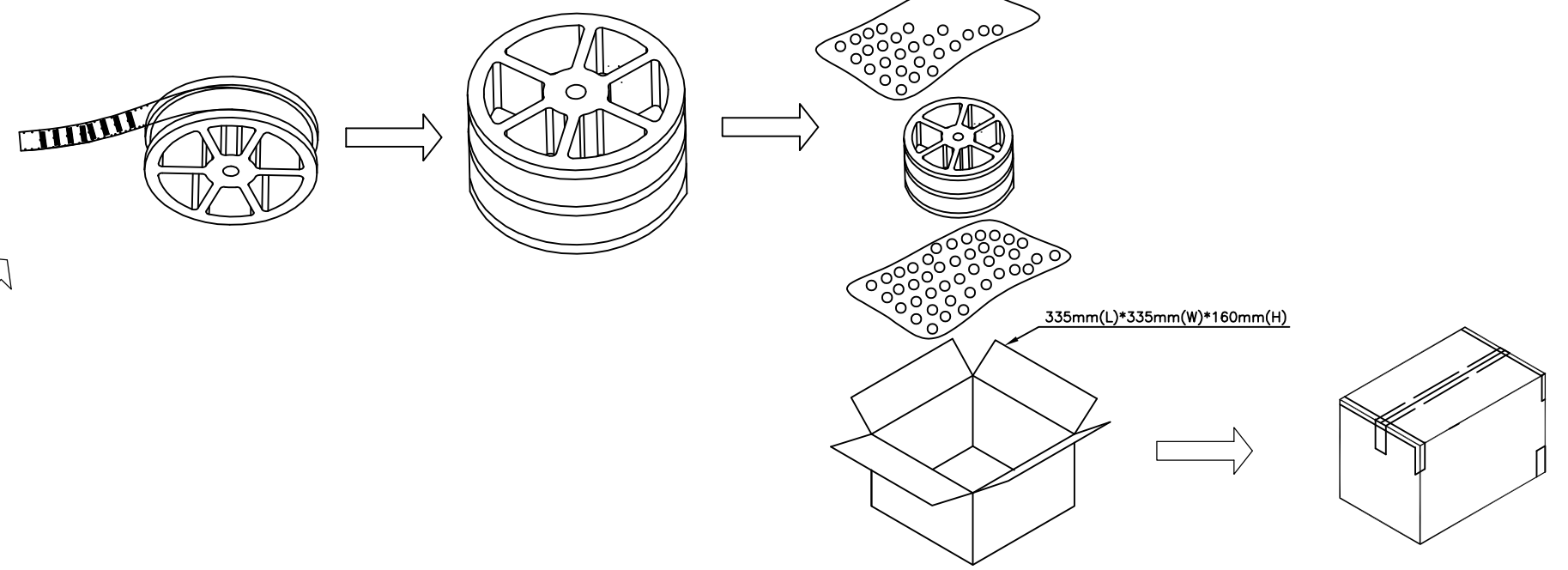
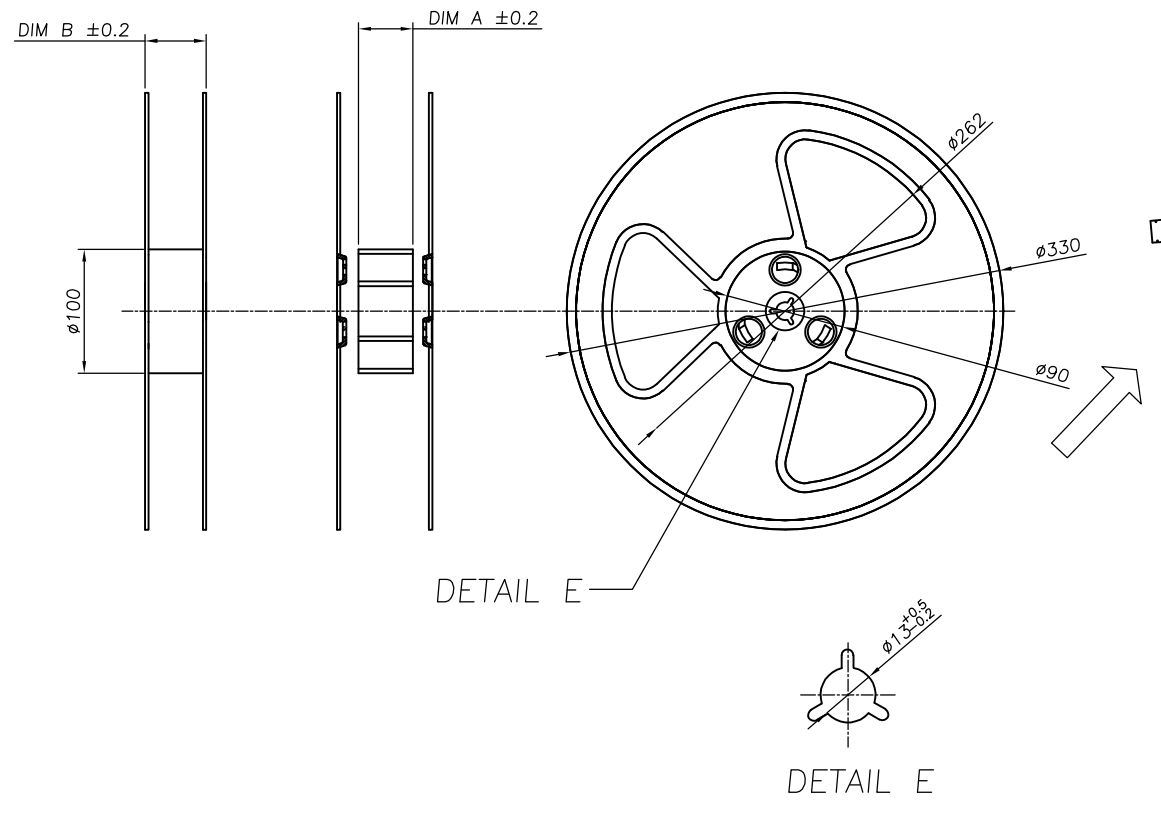
THIS DRAWING IS A CONTROLLED DOCUMENT.

|                  |           |           |                     |   |            |               |     |    |
|------------------|-----------|-----------|---------------------|---|------------|---------------|-----|----|
| DWN              | O.HU      | 07APR2006 | <br>TE Connectivity | NAME<br>AMPMODU 2.0mm PITCH, REC<br>CONN, SMT, VERTICAL MOUNT |            |               |     |    |
| CHK              | S.HOU     | 07APR2006 |                     |   |            |               |     |    |
| APVD             | W.J.KE    | 07APR2006 |                     |   |            |               |     |    |
| PRODUCT SPEC     | 108-57197 |           |                     |   |            |               |     |    |
| APPLICATION SPEC | -         |           | SIZE                | CAGE CODE   | DRAWING NO | RESTRICTED TO |     |    |
| MATERIAL         | 1         | FINISH    | 2                   | A3  | 00779      | C-1734516     | -   |    |
| CUSTOMER DRAWING |           |           | SCALE               | 5:1   | SHEET      | 1 OF 2        | REV | A4 |

THIS DRAWING IS UNPUBLISHED  
 © COPYRIGHT 2006 By -  
 ALL RIGHTS RESERVED.

RELEASED FOR PUBLICATION  
 AUG 2006.

| LOC | DIST | REVISIONS   |      |     |      |
|-----|------|-------------|------|-----|------|
| P   | LTR  | DESCRIPTION | DATE | DWN | APVD |
| IR  | -    | SEE SHEET 1 | -    | -   | -    |



| DIM B    | DIM A (REEL WIDTH) | PCS/CARTON | PCS/REEL | No. of Contacts | PART NO. |             |
|----------|--------------------|------------|----------|-----------------|----------|-------------|
| OBSOLETE | 61                 | 56         | 1,800    | 900             | 40       | 9-1734516-0 |
| OBSOLETE |                    |            | 1,800    | 900             | 38       | 8-1734516-8 |
| OBSOLETE |                    |            | 1,800    | 900             | 36       | 8-1734516-6 |
| OBSOLETE |                    |            | 1,800    | 900             | 34       | 8-1734516-4 |
| OBSOLETE |                    |            | 1,800    | 900             | 32       | 8-1734516-2 |
|          |                    |            | 1,800    | 900             | 30       | 8-1734516-0 |
| OBSOLETE |                    |            | 1,800    | 900             | 28       | 7-1734516-8 |
| OBSOLETE |                    |            | 1,800    | 900             | 26       | 7-1734516-6 |
| OBSOLETE | 49                 | 44         | 2,700    | 900             | 24       | 7-1734516-4 |
| OBSOLETE |                    |            | 2,700    | 900             | 22       | 7-1734516-2 |
| OBSOLETE |                    |            | 2,700    | 900             | 20       | 7-1734516-0 |
| OBSOLETE |                    |            | 2,700    | 900             | 18       | 6-1734516-8 |
| OBSOLETE |                    |            | 2,700    | 900             | 16       | 6-1734516-6 |
| OBSOLETE |                    |            | 2,700    | 900             | 14       | 6-1734516-4 |
| OBSOLETE | 29                 | 24         | 2,700    | 900             | 12       | 6-1734516-2 |
|          |                    |            | 2,700    | 900             | 10       | 6-1734516-0 |
|          |                    |            | 2,700    | 900             | 8        | 5-1734516-8 |
|          |                    |            | 1,800    | 900             | 40       | 4-1734516-0 |
| OBSOLETE | 61                 | 56         | 1,800    | 900             | 38       | 3-1734516-8 |
| OBSOLETE |                    |            | 1,800    | 900             | 36       | 3-1734516-6 |
| OBSOLETE |                    |            | 1,800    | 900             | 34       | 3-1734516-4 |
| OBSOLETE |                    |            | 1,800    | 900             | 32       | 3-1734516-2 |
| OBSOLETE |                    |            | 1,800    | 900             | 30       | 3-1734516-0 |
| OBSOLETE |                    |            | 1,800    | 900             | 28       | 2-1734516-8 |
|          |                    |            | 1,800    | 900             | 26       | 2-1734516-6 |
| OBSOLETE | 49                 | 44         | 2,700    | 900             | 24       | 2-1734516-4 |
| OBSOLETE |                    |            | 2,700    | 900             | 22       | 2-1734516-2 |
| OBSOLETE |                    |            | 2,700    | 900             | 20       | 2-1734516-0 |
| OBSOLETE |                    |            | 2,700    | 900             | 18       | 1-1734516-8 |
| OBSOLETE |                    |            | 2,700    | 900             | 16       | 1-1734516-6 |
| OBSOLETE |                    |            | 2,700    | 900             | 14       | 1-1734516-4 |
| OBSOLETE | 29                 | 24         | 2,700    | 900             | 12       | 1-1734516-2 |
| OBSOLETE |                    |            | 2,700    | 900             | 10       | 1-1734516-0 |
|          |                    |            | 2,700    | 900             | 8        | 0-1734516-8 |

THIS DRAWING IS A CONTROLLED DOCUMENT.

|                         |   |   |  |                    |                         |                    |
|-------------------------|---|---|--|--------------------|-------------------------|--------------------|
| DIMENSIONS:<br>mm       | TOLERANCES UNLESS OTHERWISE SPECIFIED:<br>0 PLC ± -<br>1 PLC ± 0.20<br>2 PLC ± 0.10<br>3 PLC ± 0.05<br>4 PLC ± -<br>ANGLES ± 3' | DWN O.HU 07APR2006<br>CHK S.HOU 07APR2006<br>APVD W.J.KE 07APR2006<br>PRODUCT SPEC<br>108-57197<br>APPLICATION SPEC | TE Connectivity<br>AMPMODU 2.0mm PITCH, REC<br>CONN, SMT, VERTICAL MOUNT |                    |                         |                    |
| MATERIAL<br>SEE SHEET 1 | FINISH<br>SEE SHEET 1   | WEIGHT<br>-   | SIZE<br>A3   | CAGE CODE<br>00779 | DRAWING NO<br>C-1734516 | RESTRICTED TO<br>- |
| CUSTOMER DRAWING        |   |   | SCALE<br>5:1   | SHEET<br>2 OF 2    | REV<br>A4               |                    |

# Mouser Electronics

Authorized Distributor

Click to View Pricing, Inventory, Delivery & Lifecycle Information:

[TE Connectivity:](#)

[2-1734516-0](#)