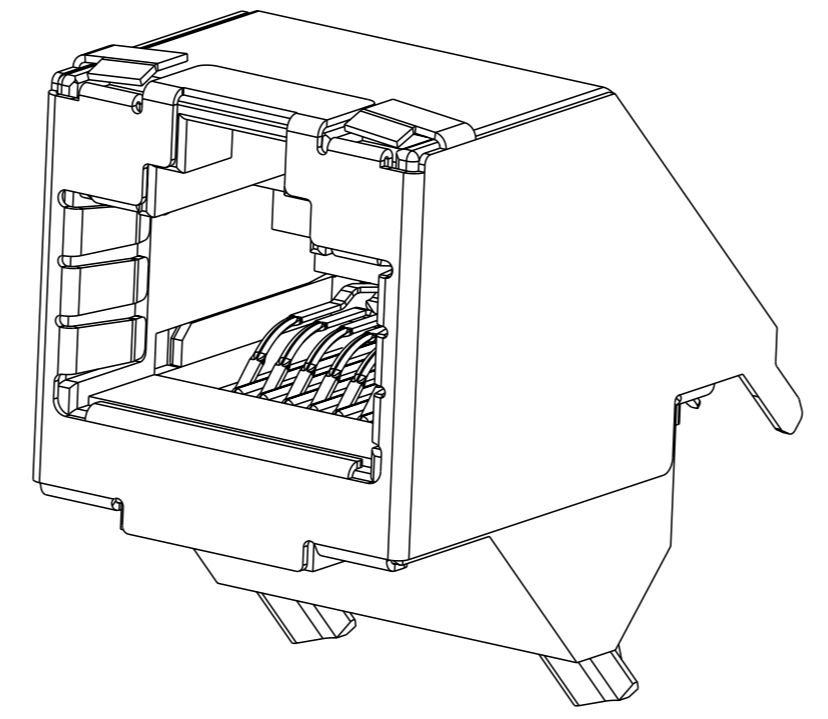
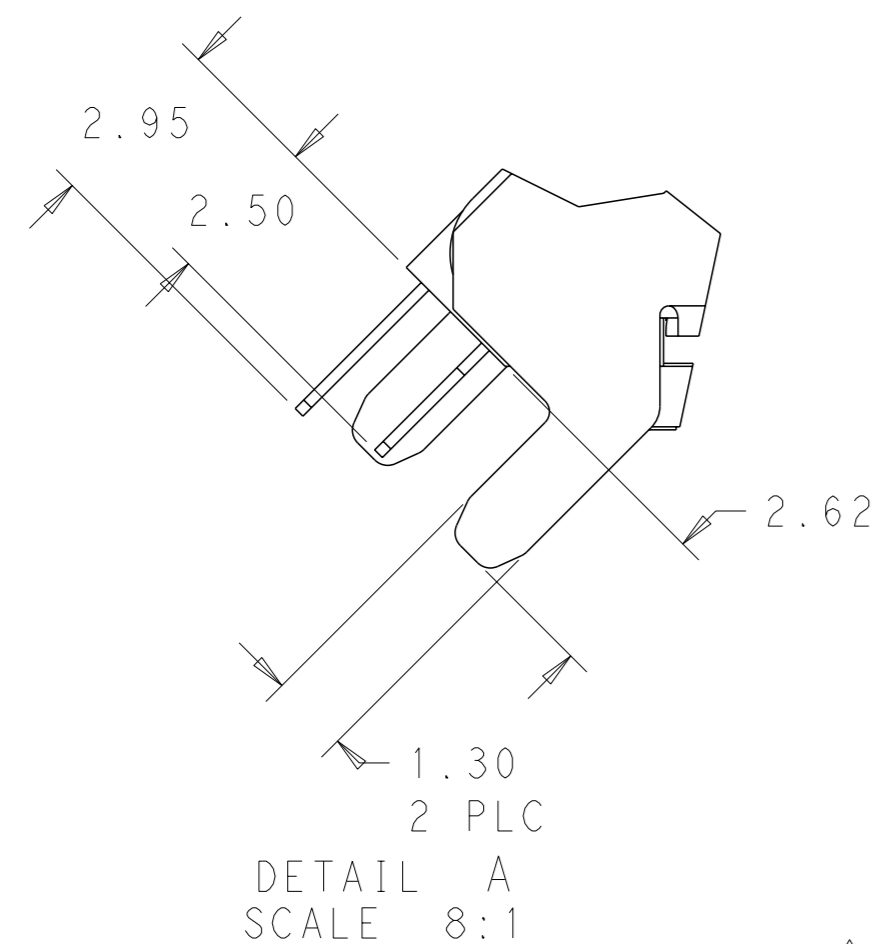
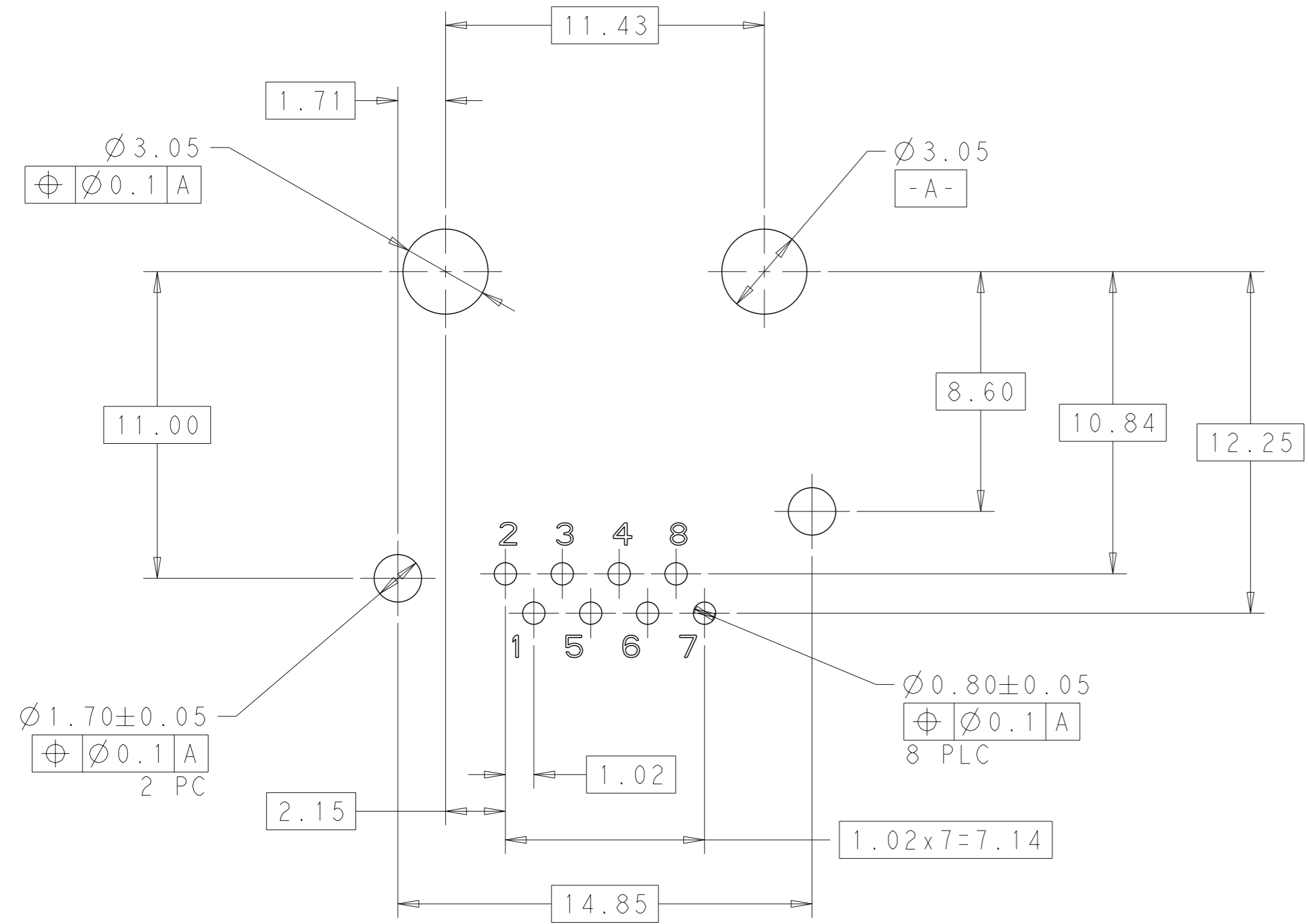
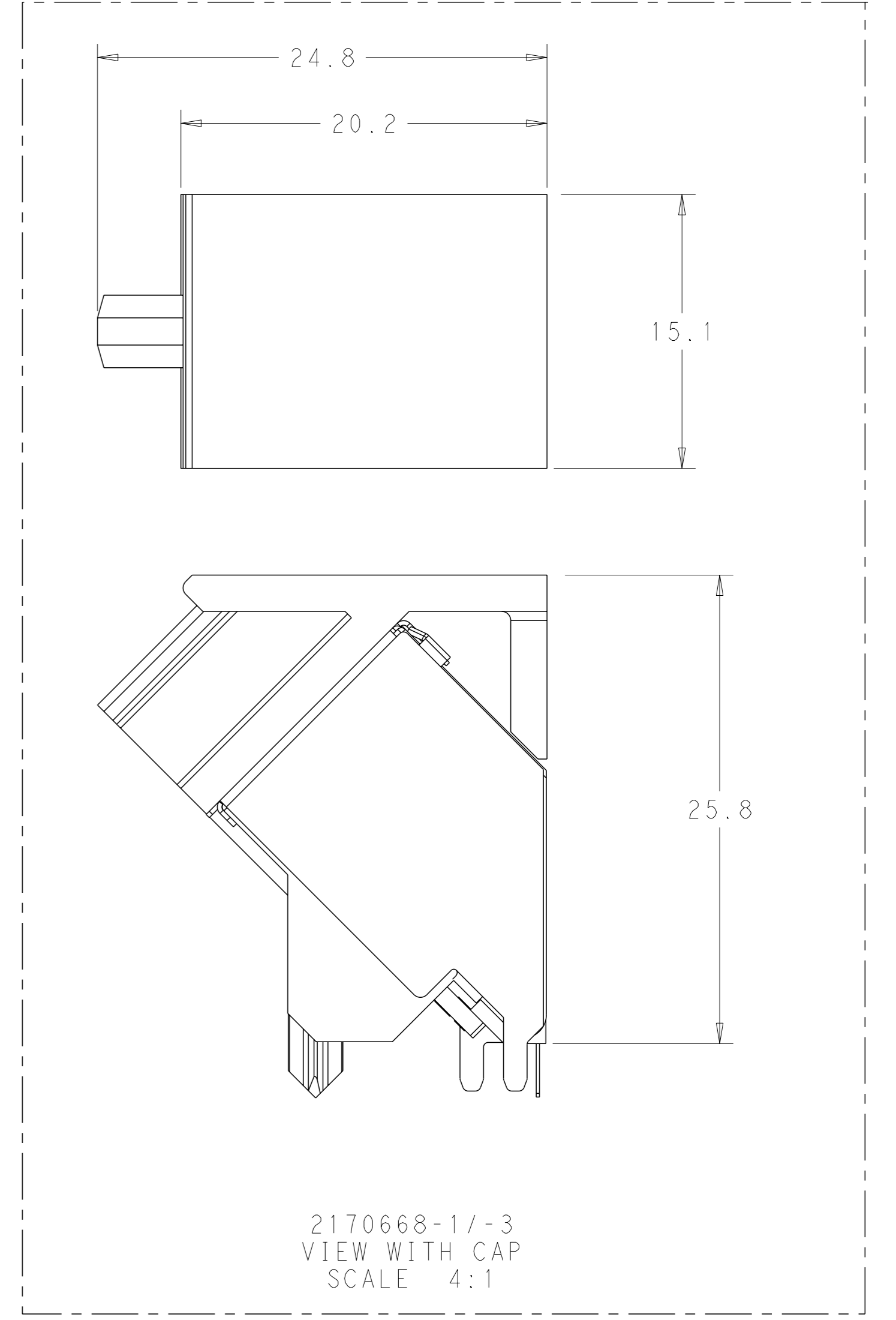
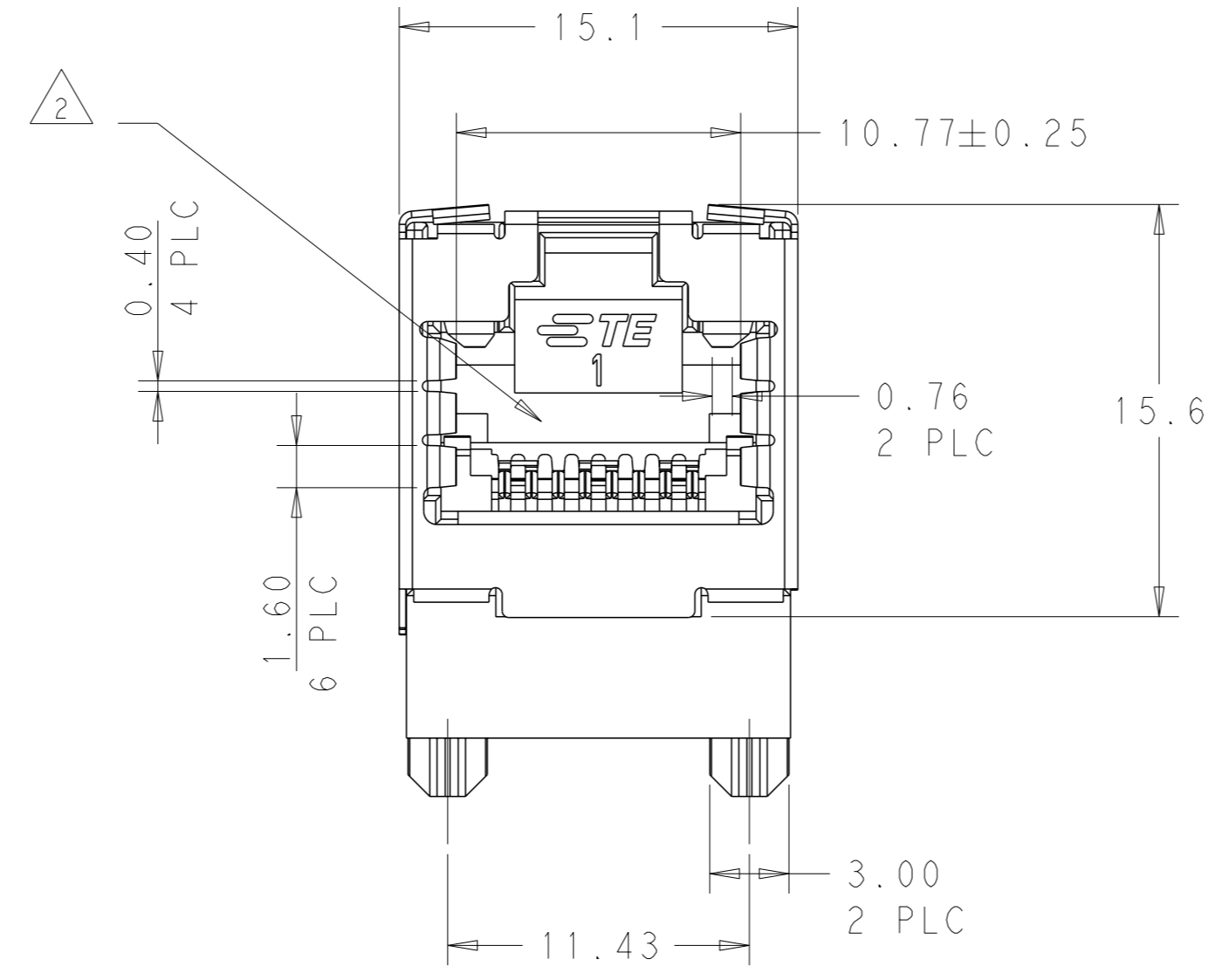
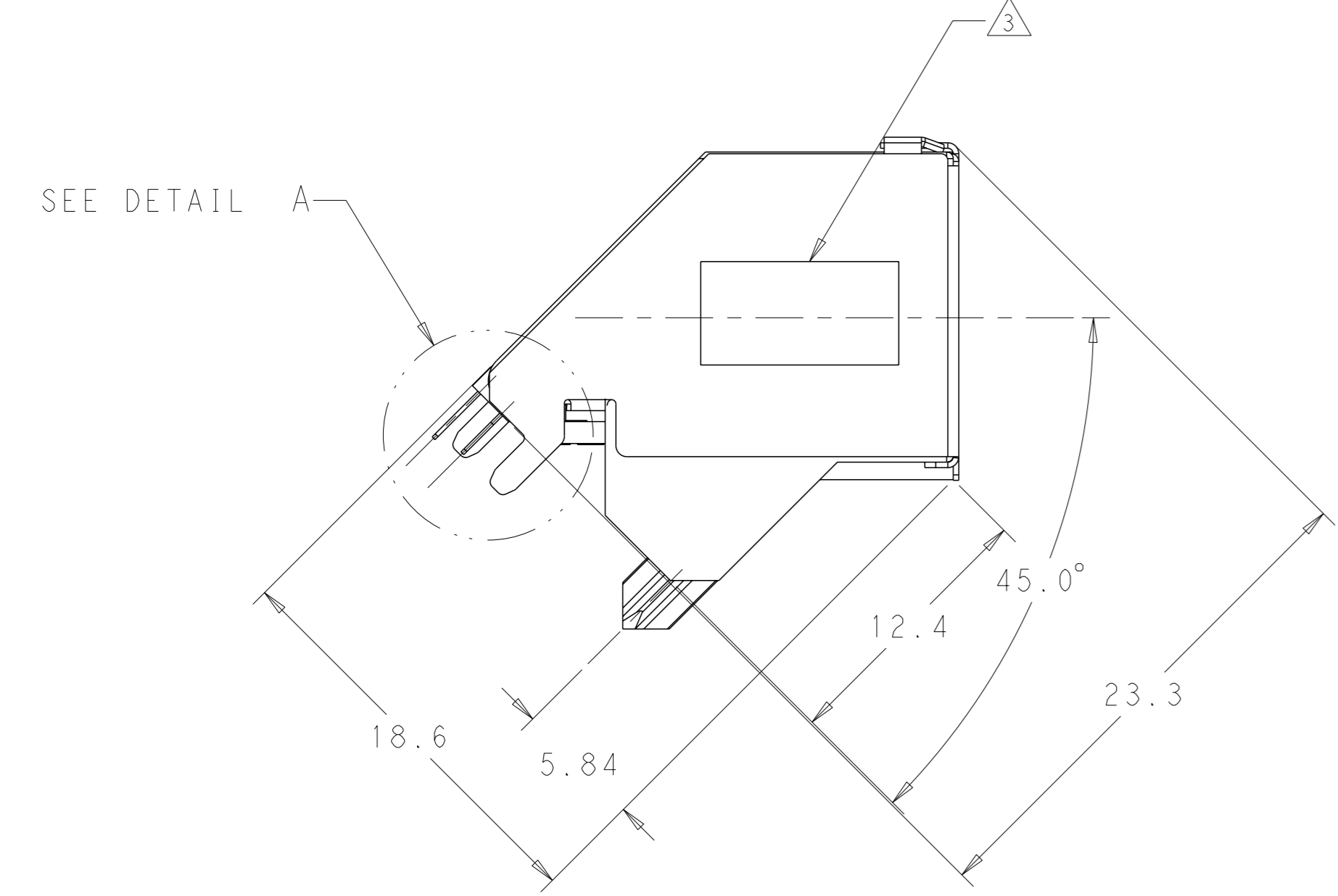


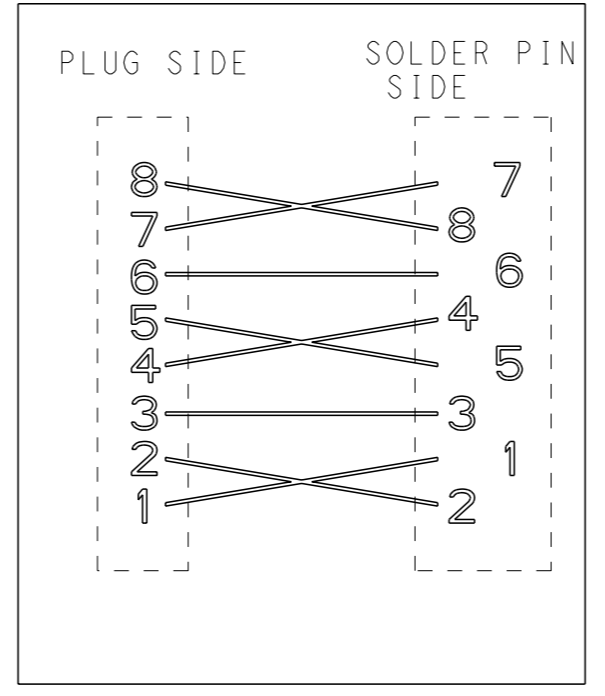
REVISIONS				
#	DATE	DESCRIPTION	OWN	APVD
A	14MAY2015	ECO-15-007308	LL	SH
B	15JUL2016	ECO-16-010518	LL	SH



- 1 MATERIAL: HOUSING - HIGH TEMPERATURE THERMOPLASTIC, BLACK, UL 94V-0, IR REFLOW SOLDERING PROCESS COMPATIBLE. TERMINALS - 0.18MM THICK PHOSPHOR BRONZE PLATED WITH 3.81µm MINIMUM THICK MATTE TIN IN SOLDER AREA, 0.76µm MINIMUM GOLD IN LOCALIZED PLATE AREA. ENTIRE TERMINAL PLATED WITH 1.27µm[.000050] MINIMUM THICK NICKEL. SHIELD - 0.25MM MIN THICK COPPER ALLOY, PREPLATED WITH 1.27µm THICK NICKEL AND 2.03µm MINIMUM HOT TIN DIP ON PCB GROUND TABS. COMPENSATION PCB - FR-4.
- 2 JACK CAVITY CONFORMS TO FCC RULES AND REGULATIONS PART 68, SUBPART F.
- 3 PART NUMBER, DATE CODE TO BE MARKED IN APPROXIMATE LOCATION SHOWN.
- 4 FOR CAT6 APPLICATION, THE PART ITSELF CAN NOT MEET CAT6 PERFORMANCE, NECESSARY COMPENSATION ON CUSTOMER PCB IS MANDATORY.
- 5 WITHOUT THE CAP.



DETAIL A SCALE 8:1
ONLY FOR 2170668-3/-4, OTHER DIMENSIONS SAME AS -1/-2



CAP OPTION	MATERIAL	PACKAGE	PART NUMBER
W/O CAP	ESD TRAY		2170668-4
WITH CAP	ESD TRAY		2170668-3
W/O CAP	ESD TRAY		2170668-2
WITH CAP	ESD TRAY		2170668-1

SUGGESTED PC BOARD LAYOUT. COMPONENT SIDE TOLERANCE: ±0.05

THIS DRAWING IS A CONTROLLED DOCUMENT. OWN: LEO LI, 25MAY2014. CHK: SEAN HAN, 25MAY2014. APVD: SEAN HAN, 25MAY2014.

STE TE Connectivity

NAME: ANGLED ENTRY JACK, SHIELDED RJ45, FOR CAT6 APPLICATION

SIZE: A1, CAGE CODE: 108-60104, DRAWING NO: 2170668, RESTRICTED TO: -

MATERIAL: - FINISH: - WEIGHT: - SCALE: 4:1, SHEET 1 OF 1, REV B

Mouser Electronics

Authorized Distributor

Click to View Pricing, Inventory, Delivery & Lifecycle Information:

[TE Connectivity:](#)

[2170668-1](#)