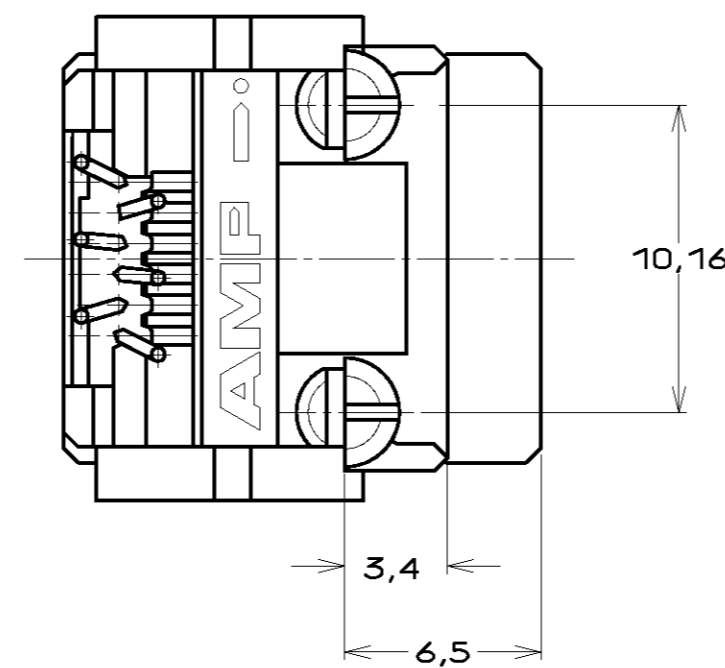
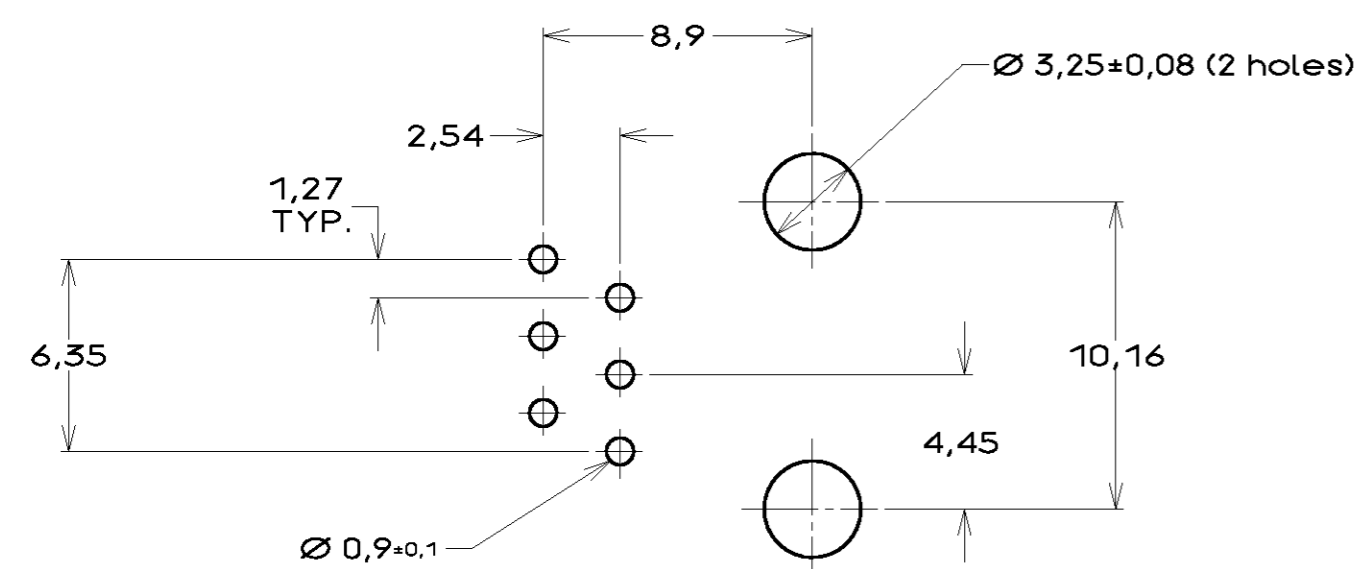
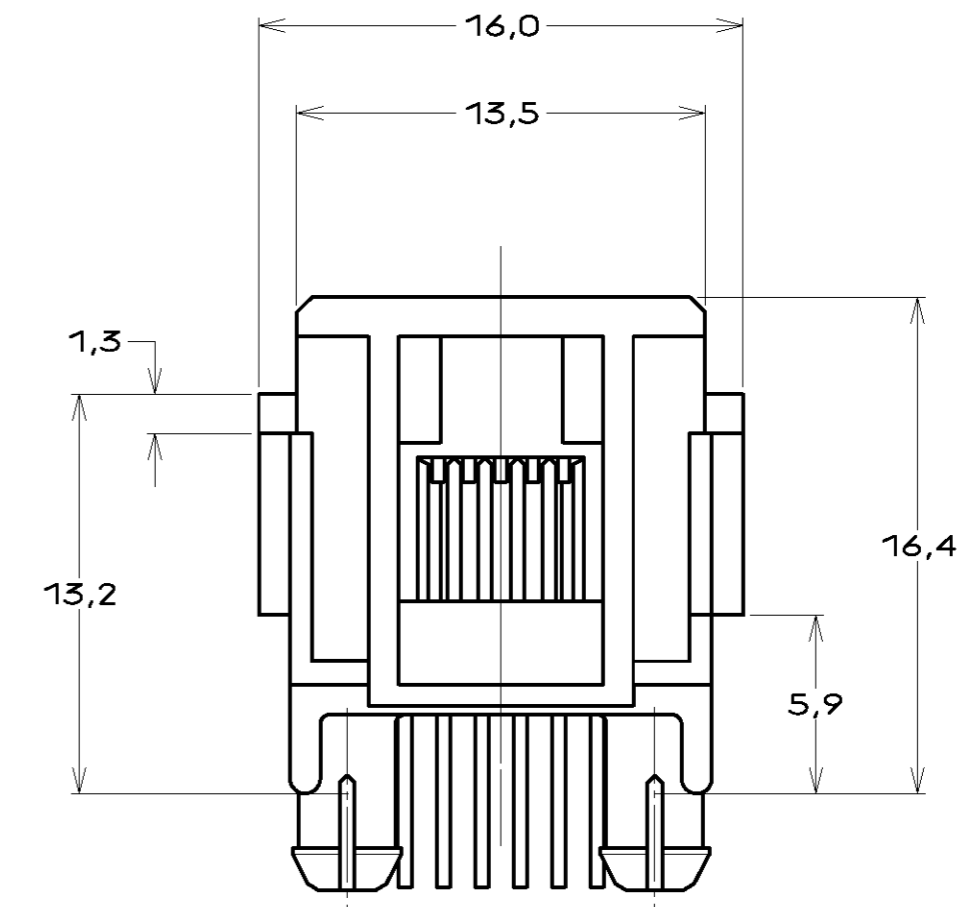
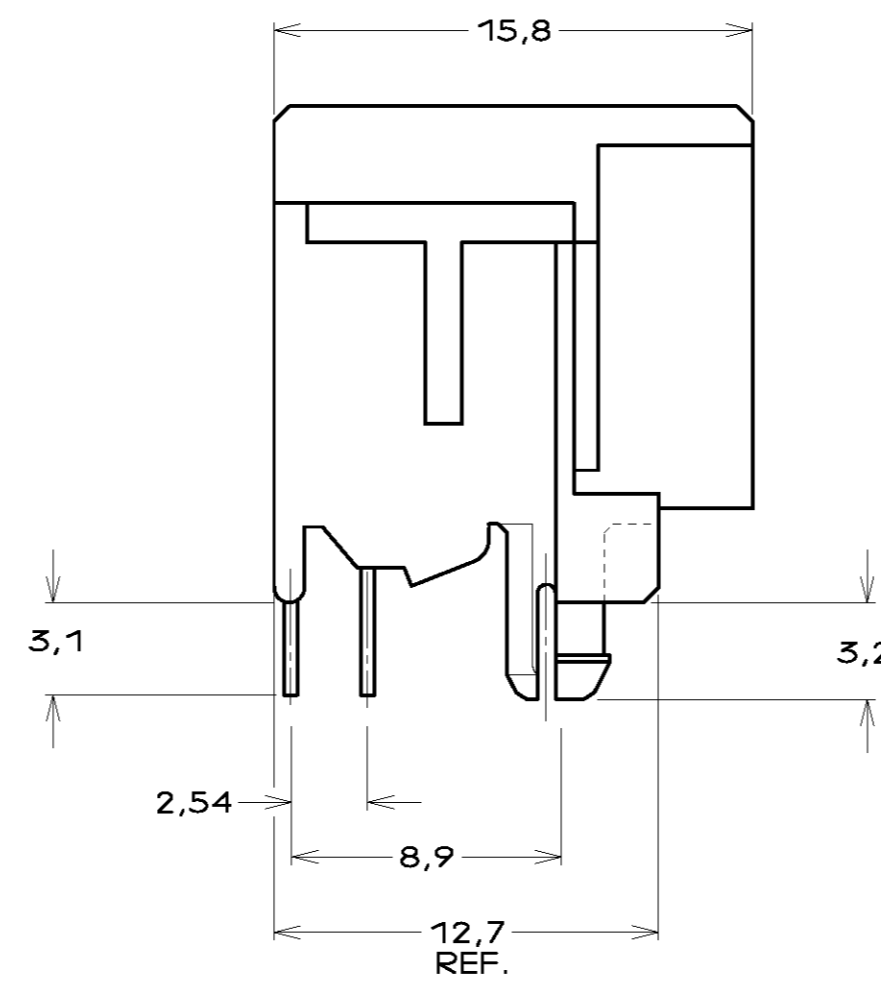
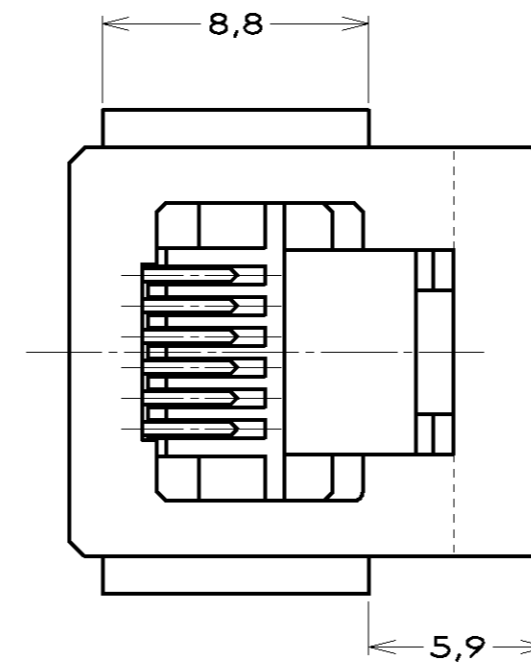
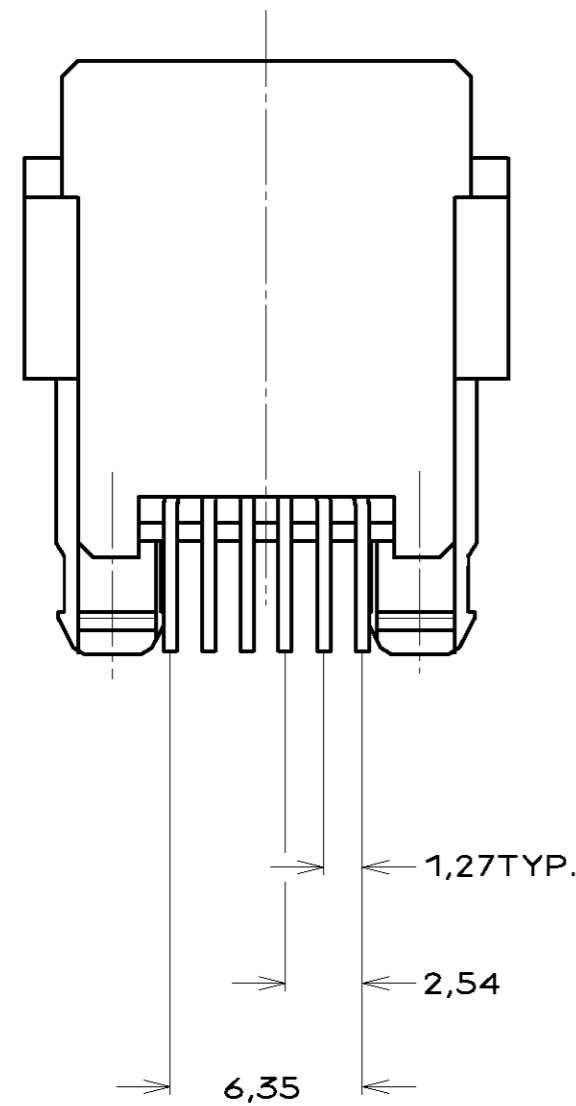


NOTES:

- 1 SEE SHEET 2 FOR 216564-2, 6 POS./4 CONTACTS.
- 2 TOLERANCES UNLESS OTHERWISE SPECIFIED: ±0,15
- 3 FOR APPLICATION INFORMATION SEE AMP SPEC. 114-19019.
- 4 FOR PERFORMANCE REQUIREMENTS SEE AMP SPEC. 108-19064



PRINTED CIRCUIT BOARD LAYOUT

[VIEW SHOWN IS CIRCUIT (NONCOMPONENT) SIDE OF BOARD.]

TOLERANCES UNLESS OTHERWISE SPECIFIED: ± 0,05.

PRINTED CIRCUIT BOARD THICKNESS: 1,6 mm NOMINAL.

700pcs. ON A 60cm. DIA. REEL	6 POSITIONS/ 6 CONTACTS.	IN CONTACT AREA: 1,2µm MIN. SEL. GOLD OVER 1,2µm MIN. NICKEL	HOUSING: PTB,UL 94-HB COLOR: BLACK	216564-1
SOLDER TINES: 2,0µm MIN. TIN-LEAD OVER 1,2µm MIN. NICKEL		CONTACTS: PHOSPHOR BRONZE		
REMARKS	REMARKS	FINISH	MATERIAL	PARTNUMBER
-	-	-	-	-
CUSTOMER DRAWING FOR REFERENCE ONLY WILL NOT BE UPDATED				
© COPYRIGHT 19 BY AMP HOLLAND B.V. ALL INTERNATIONAL RIGHTS RESERVED. AMP PRODUCTS MAY BE COVERED BY U.S. AND FOREIGN AND/OR PATENTS PENDING.				
THIS DRAWING IS UNPUBLISHED RELEASED FOR PUBLICATION				
H2	ECR-08-013498	AEG	-	18-02-09
H1	OU60-0073-00	KV	KV	10 AUG 00
H	EH-1376-99	MVE	MVE	22 JUL 99
G	EH-0939-99	JG	TD	APR 99
F	EH-0244-96	MVE	G.C.	15 FEB 96
LTR.	REVISION RECORD	DR.	CHK.	DATE
DR.: L.v.d.HEIJDEN	CHK.: C.STERKEN	APP.: L.v.SOEST	DWG.No.	REV.LTR.
DATE: 29 AUG 89	DATE: -	DATE: -	C-216564	H2
				SHEET 1 OF 2
				A2

Mouser Electronics

Authorized Distributor

Click to View Pricing, Inventory, Delivery & Lifecycle Information:

[TE Connectivity:](#)

[216564-1](#)