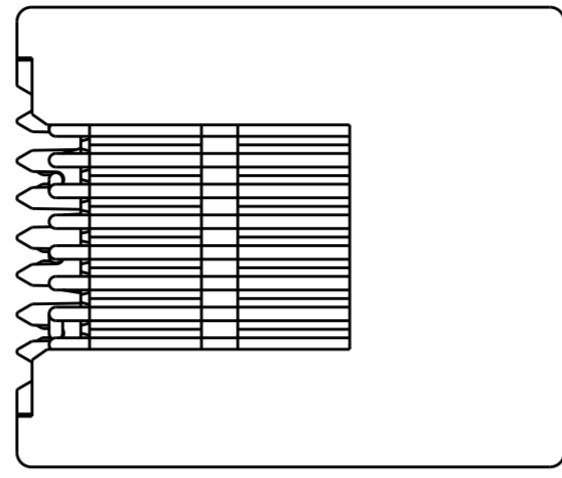
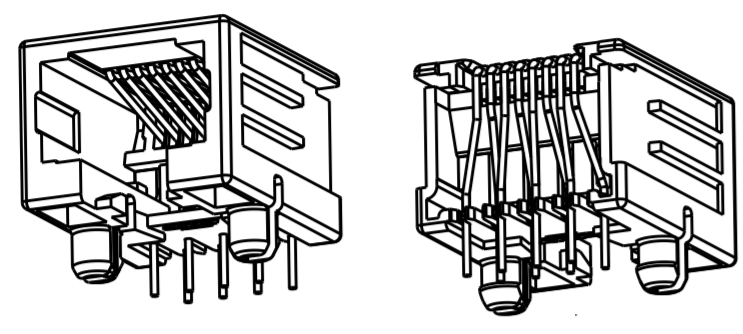


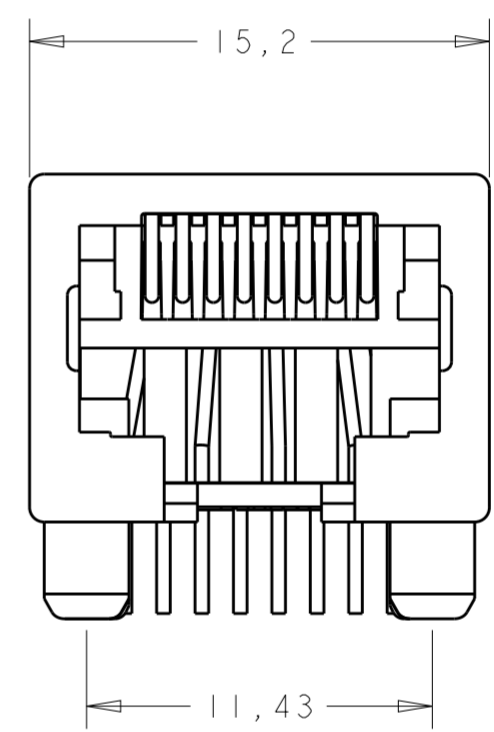
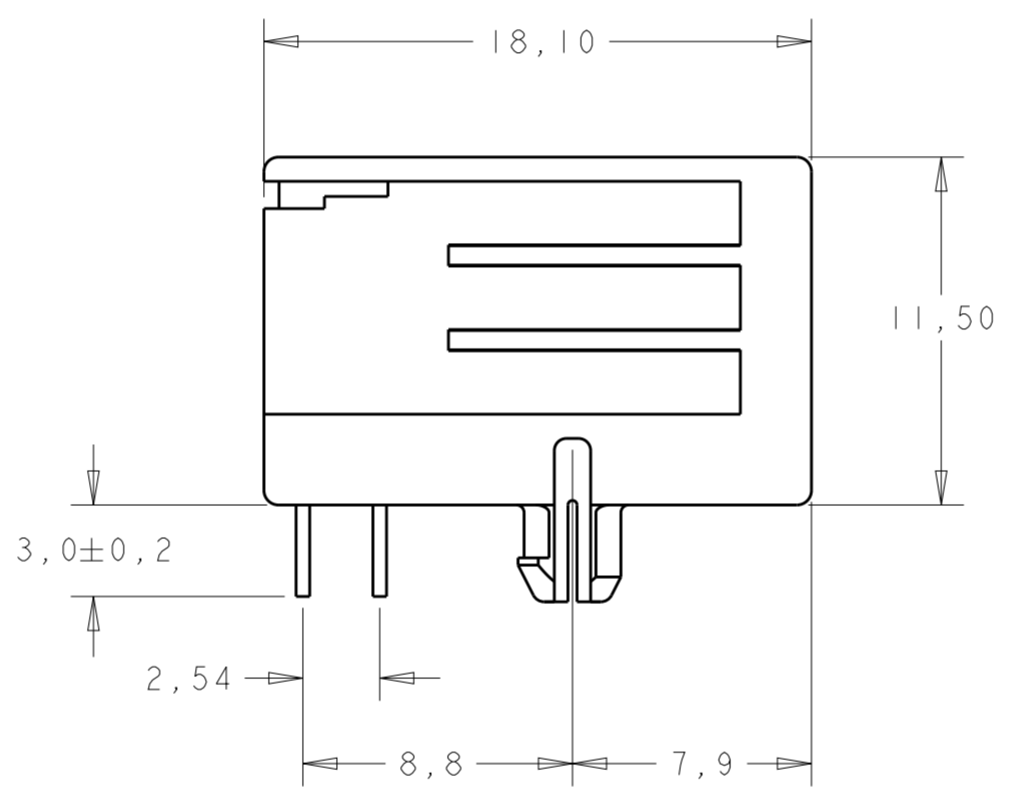
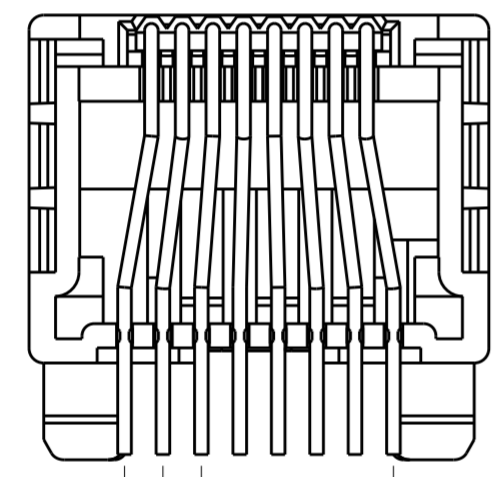
THIS DRAWING IS UNPUBLISHED. RELEASED FOR PUBLICATION  
 © COPYRIGHT - ALL RIGHTS RESERVED.

LOC	DIST	REVISIONS			
P	LTR	DESCRIPTION	DATE	DWN	APVD
IR	-	AF	ECR-10-020218	21JUN2011	PS RRP
		AF1	REVISED PER ECO-12-008315	12MAY2015	AD SH

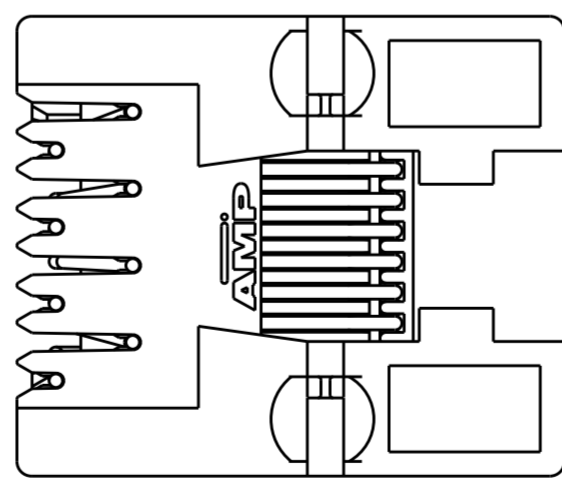
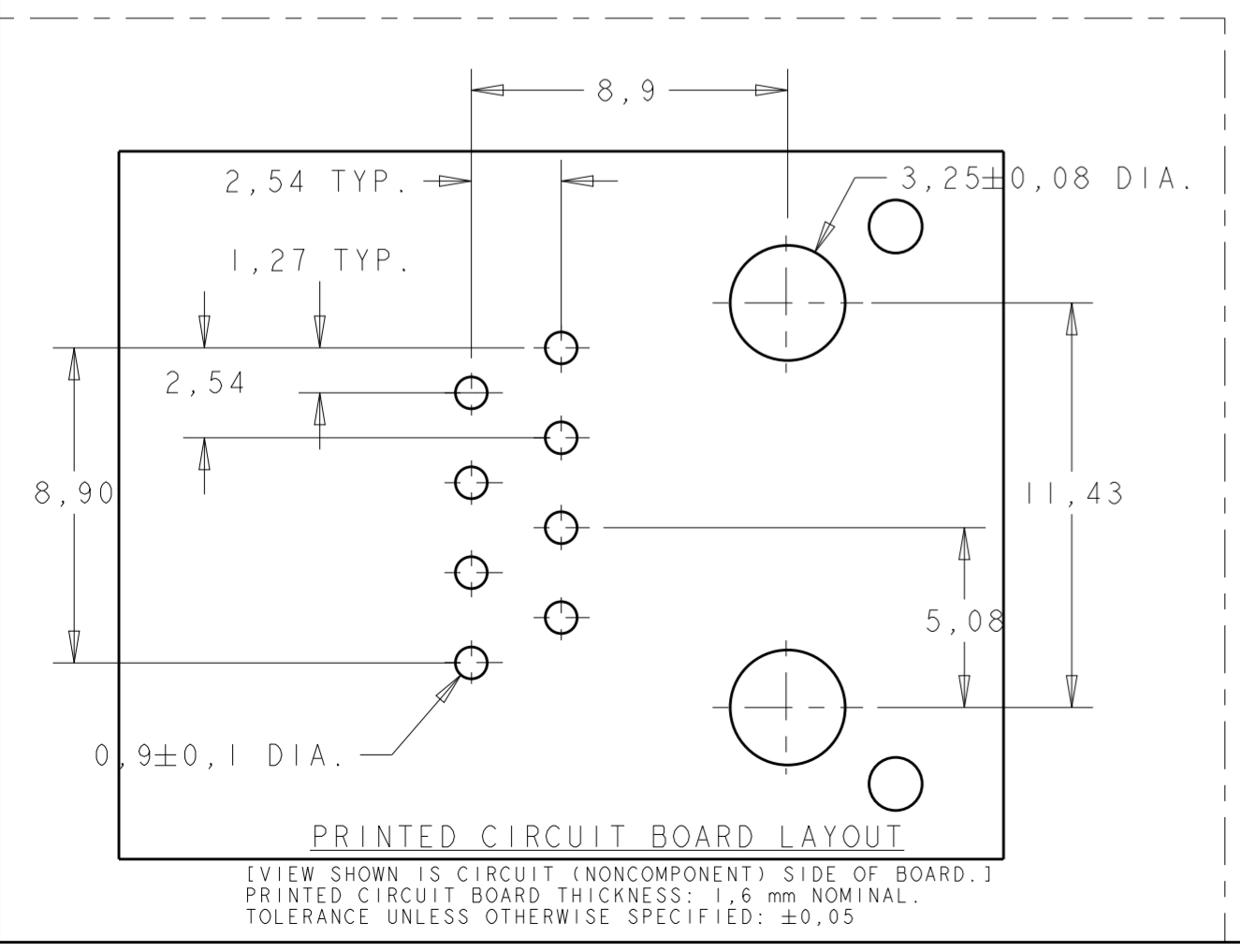


NOTES:

- 1 TOLERANCE UNLESS OTHERWISE SPECIFIED:  $\pm 0,15$ .
- 2 FOR THIS PACKAGING METHOD THE TRUE POSITION OF THE SOLDER TINES IS NOT GUARANTEED.
- 3 SUPERSEDED BY 1-215877-3



2,54  
 1,27 TYP.  
 8,9



PACKAGING	REMARKS	FINISH	MATERIAL	ORDER NUMBER
1000 PIECES BULK PACKAGED			HOUSING COLOR: BLUE RAL 5017	4-215877-1
<del>1000 PIECES BULK PACKAGED</del>			HOUSING COLOR: GREY RAL 7035	3-215877-1
200 PIECES IN A TRAY	8 POS. / 8 CONTACTS	OVERALL: Ni 1,27µm MIN. ALL OVER THE CONTACTS SOLDER ZONE: Sn 2,5µm MIN. ON THE SOLDER ZONE OF THE CONTACT MATING ZONE: PLATING CONFIRMS TO PRODUCT REQUIREMENTS AS PER SPECIFICATION 108-19064	HOUSING COLOR: BLACK PBT: UL 94V-0 CONTACT INSERT: PBT, UL 94V-0 CONTACTS: pb BRONZE	<del>2-215877-1</del>
<del>99 PIECES IN MULTI-TRAY</del>				1-215877-3
TAPE MOUNTED 700 PCS./REEL				1-215877-1
				215877-1

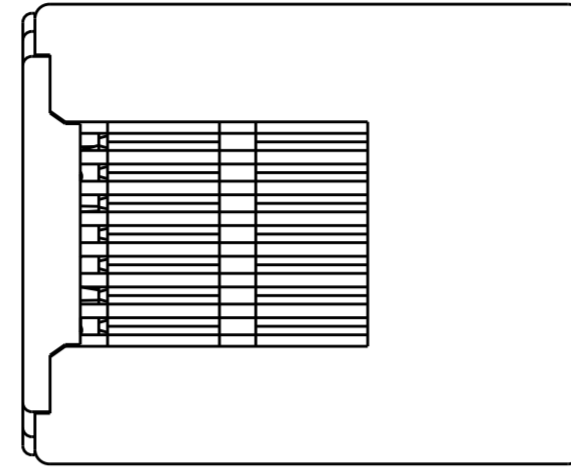
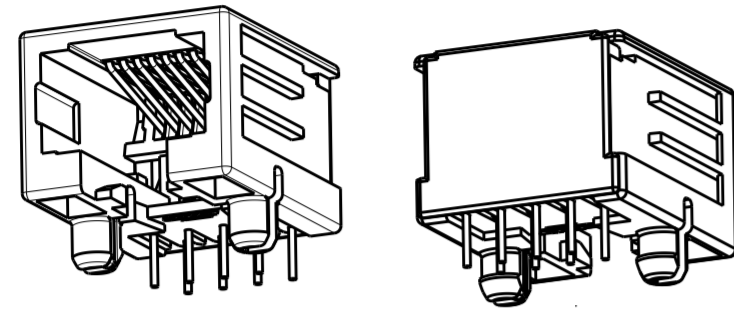
**SUPERSEDED BY 215877-1**

THIS DRAWING IS A CONTROLLED DOCUMENT.

DIMENSIONS: mm	TOLERANCES UNLESS OTHERWISE SPECIFIED:	DWN: E.v.Eijk	TE Connectivity MODULAR JACK, 8 POS SIDE ENTRY FOR PRINTED CIRCUIT BOARD	
	0 PLC ±	CHK: M.v.Essen		
	1 PLC ±	APVD: R.Smeets		
	2 PLC ±	PRODUCT SPEC: 108-19064		
	3 PLC ±	APPLICATION SPEC: 114-19019	SIZE: A2	CAGE CODE: C-215877
	4 PLC ±	WEIGHT: -	RESTRICTED TO: -	
MATERIAL: -	ANGLES ±	CUSTOMER DRAWING	SCALE: 4:1	SHEET 1 OF 2
	FINISH			REV: AF1

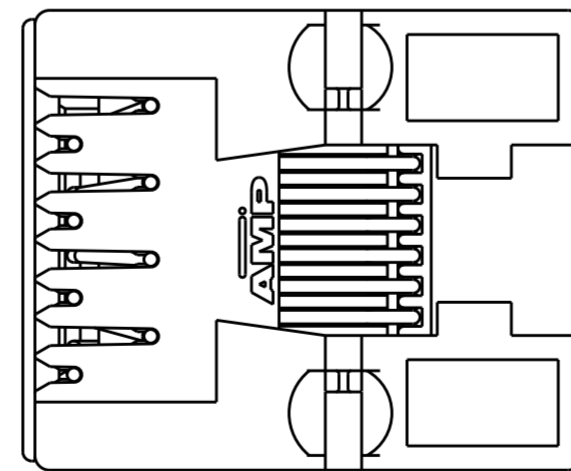
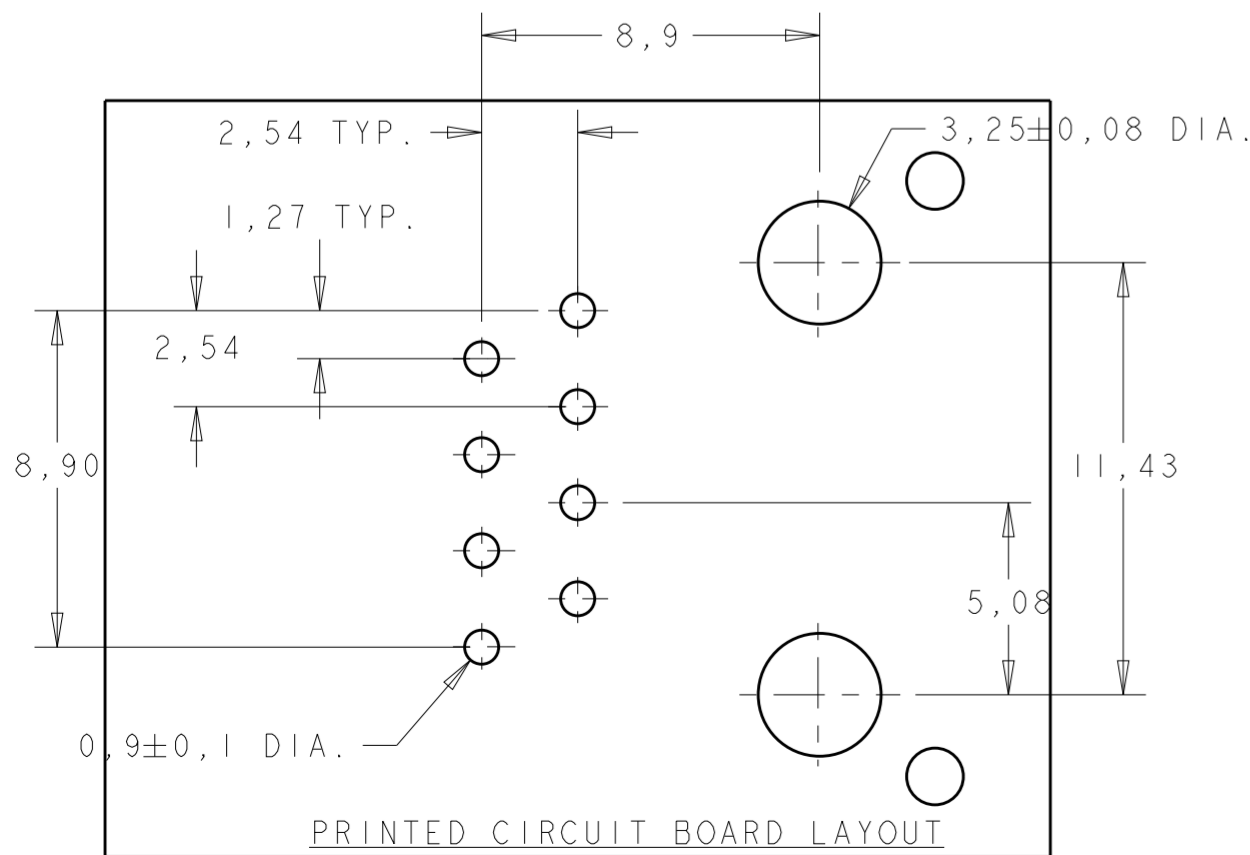
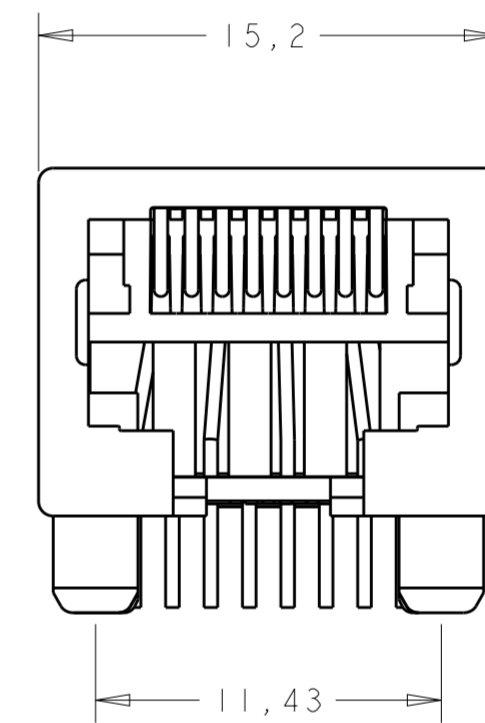
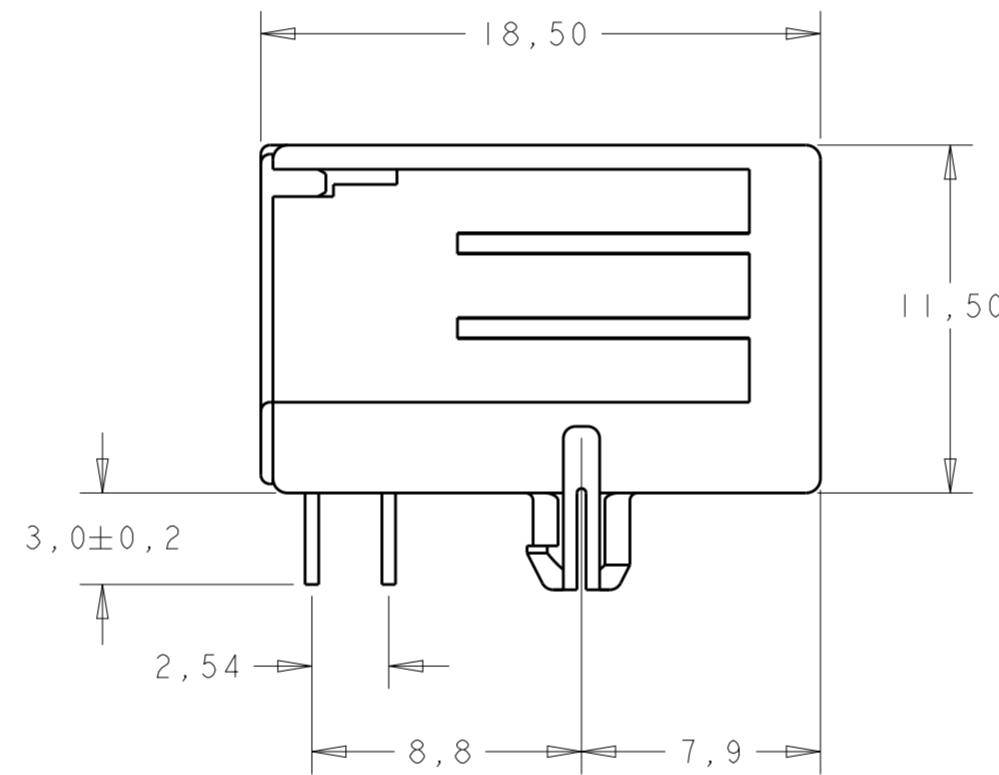
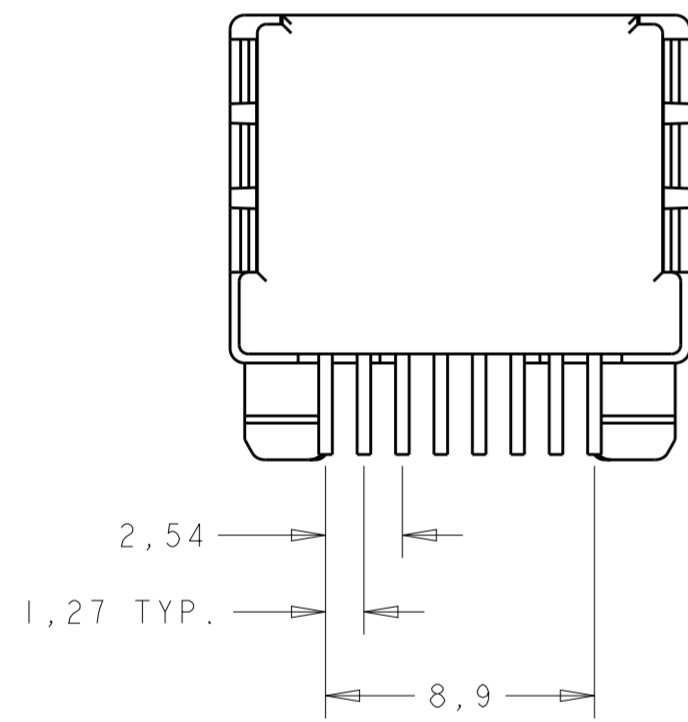
THIS DRAWING IS UNPUBLISHED. RELEASED FOR PUBLICATION  
 © COPYRIGHT - ALL RIGHTS RESERVED.

LOC	DIST	REVISIONS					
		P	LTR	DESCRIPTION	DATE	DWN	APVD
IR	-	-	-	SEE SHEET 1	-	-	-



NOTES:

- 1 TOLERANCE UNLESS OTHERWISE SPECIFIED:  $\pm 0,15$ .
- 2 FOR THIS PACKAGING METHOD THE TRUE POSITION OF THE SOLDER TINES IS NOT GUARANTEED.



PACKAGING	REMARKS	FINISH	MATERIAL	ORDER NUMBER	
1000 PIECES BULK PACKAGED				INACTIVE 5-215877-3 NOT TOOLED	
200 PIECES IN A TRAY	8 POS. / 8 CONTACTS		IN CONTACT AREA: 1,2µm MIN. SEL. GOLD OVER 1,2µm MIN. NICKEL. SOLDER TINES: 2,5µm MIN. TIN OVER 1,2µm MIN. NICKEL.	HOUSING COLOR: BLACK PBT, UL 94V-0 CONTACT INSERT: PBT, UL 94V-0 CONTACT COVER: BLACK PBT, UL 94V-0 CONTACTS: PH BRONZE	INACTIVE 5-215877-2 NOT TOOLED
TAPE MOUNTED 700 PCS./REEL				INACTIVE 5-215877-1 NOT TOOLED	

THIS DRAWING IS A CONTROLLED DOCUMENT.

DWN: E.v.Fijk	CHK: M.v.Essen	APVD: R.Smeets	TE Connectivity	
DIMENSIONS: mm TOLERANCES UNLESS OTHERWISE SPECIFIED: 0 PLC ± 1 PLC ± 2 PLC ± 3 PLC ± 4 PLC ± ANGLES ± FINISH ±			NAME: MODULAR JACK, 8 POS SIDE ENTRY FOR PRINTED CIRCUIT BOARD SIZE: A2 CAGE CODE: C-215877 DRAWING NO: 108-19064 APPLICATION SPEC: 114-19019 WEIGHT: - SCALE: 4:1 SHEET: 2 OF 2 REV: AFI	
MATERIAL: -			CUSTOMER DRAWING	

# Mouser Electronics

Authorized Distributor

Click to View Pricing, Inventory, Delivery & Lifecycle Information:

[TE Connectivity:](#)

[215877-1](#)