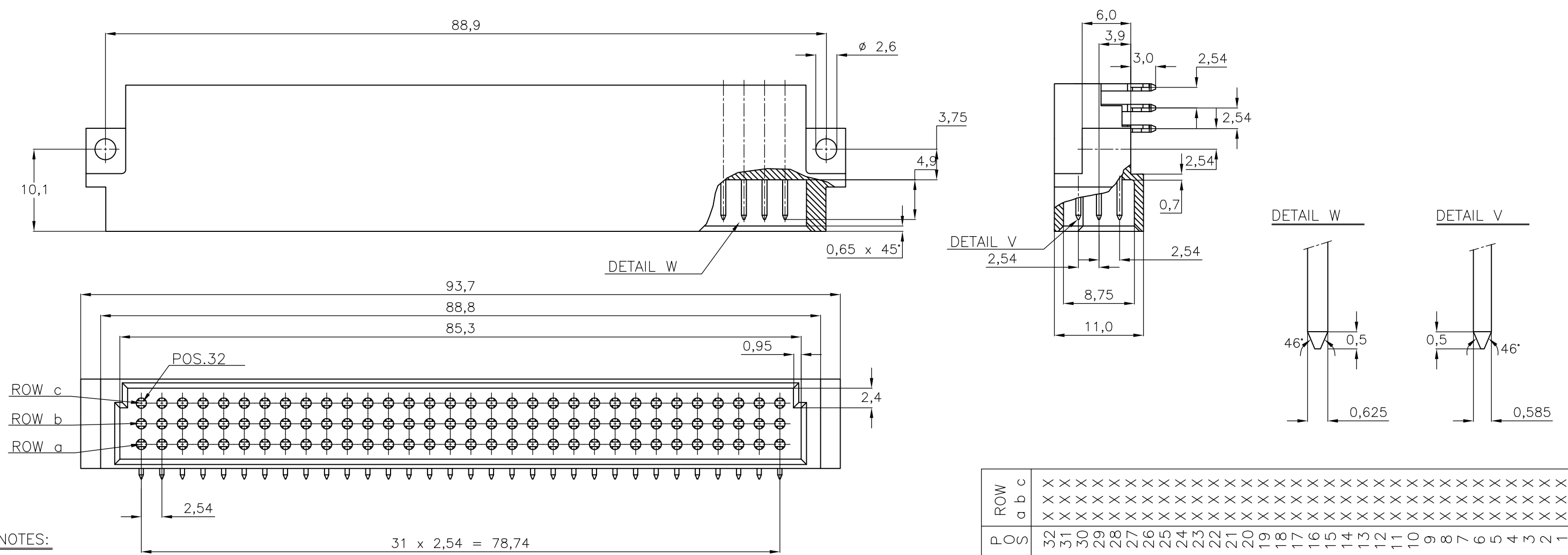


THIS DRAWING IS UNPUBLISHED. RELEASED FOR PUBLICATION
 © COPYRIGHT - By - ALL RIGHTS RESERVED.

LOC	DIST	REVISIONS					
		P	LTR	DESCRIPTION	DATE	DWN	APVD
H	-		F	REVISED PER ECO-15-006790	06MAY2015	AP	RP

P.C.B. HOLE DIM. ACTION PIN
 DRILLED HOLE : 1,15 ± 0,025 mm
 FIN. HOLE : 0,94 to 1,09 mm
 AFTER REFLOW : 0,91 to 1,09 mm
 Cu-thks : 0,025 to 0,075 mm
 Sn-thks : 0,004 to 0,010 mm

REFERENCE FAMILY DRAWING 650473
 FOR ALL TYPE C HEADER OFFERINGS



ROW	a	b	c
1	X	X	X
2	X	X	X
3	X	X	X
4	X	X	X
5	X	X	X
6	X	X	X
7	X	X	X
8	X	X	X
9	X	X	X
10	X	X	X
11	X	X	X
12	X	X	X
13	X	X	X
14	X	X	X
15	X	X	X
16	X	X	X
17	X	X	X
18	X	X	X
19	X	X	X
20	X	X	X
21	X	X	X
22	X	X	X
23	X	X	X
24	X	X	X
25	X	X	X
26	X	X	X
27	X	X	X
28	X	X	X
29	X	X	X
30	X	X	X
31	X	X	X
32	X	X	X

- NOTES:
- 1 MATERIAL:
 -HOUSING: THERMOPL.POLYESTER
 COLOUR : GREY
 -CONTACTS: PHOSPHORBRONZE
- 2 PLATING CONTACT :
 -1 : 1,25 µm Au OVER 1,25 µm Ni AT CONNECTOR MATING SIDE.
 2,54 µm Sn OVER 1,25 µm Ni AT ACTION-PIN AREA.
 -4 : 0,8µm Au OVER 1,25 µm Ni AT CONTACT AREA.
 2,54 µm Sn OVER 1,25 µm Ni AT ACTION-PIN AREA.
 -7 : 2,0 µm Au OVER 1,25 µm Ni AT CONNECTOR MATING SIDE.
 2,54 µm Sn OVER 1,25 µm Ni AT ACTION-PIN AREA.
 -8 : 0,4µm Au OVER 1,25 µm Ni AT CONNECTOR MATING SIDE.
 2,54 µm Sn OVER 1,25 µm Ni AT ACTION-PIN AREA.
 -9 : SAME AS -4 EXCEPT WITHOUT Sn

AN ASTERISK „X” DENOTES A CONTACT.

OBSOLETE	SEE NOTE 2	SEE NOTE 1	215605-9
OBSOLETE	SEE NOTE 2	SEE NOTE 1	215605-8
OBSOLETE	SEE NOTE 2	SEE NOTE 1	215605-7
	SEE NOTE 2	SEE NOTE 1	215605-4
	SEE NOTE 2	SEE NOTE 1	215605-1
	SEE NOTE	MATERIAL	PARTNUMBER

THIS DRAWING IS A CONTROLLED DOCUMENT.		DWN R.v.LOKVEN 16DEC86	STE TE Connectivity	
DIMENSIONS: mm		CHK J.GIBBELS		
TOLERANCES UNLESS OTHERWISE SPECIFIED:		APVD -	NAME	
0 PLC ± -		PRODUCT SPEC -	96 POS. DIN 41612 TYPE C-MALE CONN. WITH ACTION PIN FOR 1,6 P.C.B. THK'S	
1 PLC ± -		APPLICATION SPEC -	SIZE CAGE CODE DRAWING NO RESTRICTED TO	
2 PLC ± -		WEIGHT -	A3 00779 C-215605	
3 PLC ± -			CUSTOMER DRAWING SCALE NTS SHEET 1 OF 1 REV F	
4 PLC ± -				
ANGLES ± RG				
FINISH -				

Mouser Electronics

Authorized Distributor

Click to View Pricing, Inventory, Delivery & Lifecycle Information:

[TE Connectivity:](#)

[215605-4](#)