

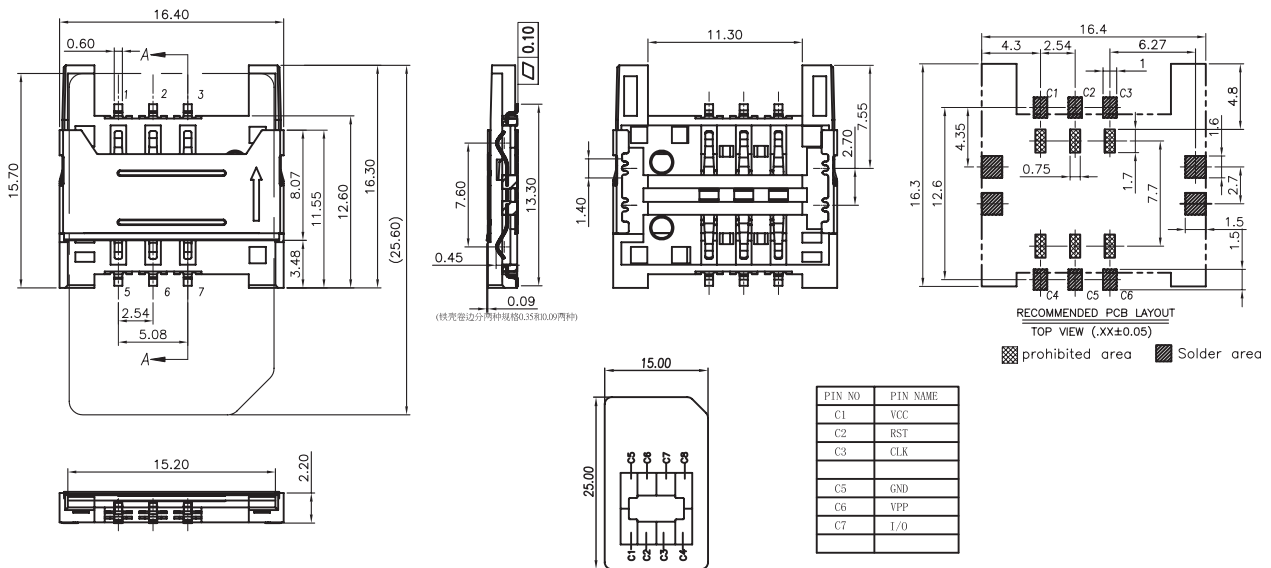
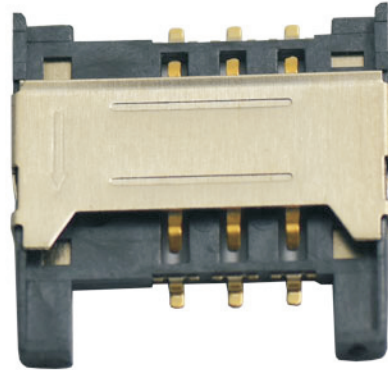
SIM Card Connector

SIM card Connector Series

L-KLS1-SIM-044A-6P-H2.2-R SIM CARD PUSH PULL 2.2H

NOTE:

- 1.MATERIAL:
 - 1.1 HOUSING: HIGH THERMOPLASTIC, UL 94V-0, COLOR:BLACK.
 - 1.2 CONTACT: COPPER ALLOY;
 - 1.3 SHELL: COPPER ALLOY;
- 2.FINISH: 2.1 CONTACT: GOLD OVER NICKEL
2.2 SHELL: NICKEL OVER ALL OVER,
- 3.RATING: OPERATING VOLTAGE: 30V
CURRENT RATING: 0.5A
OPERATING TEMPERATURE: -20°C~+85°C
- 4.ROHS: RoHS compliant



ORDER INFORMATION

Product NO.: L-KLS1-SIM-044A-6P-H2.2-R

Pos. NO. _____ SIM Card Connector Type _____