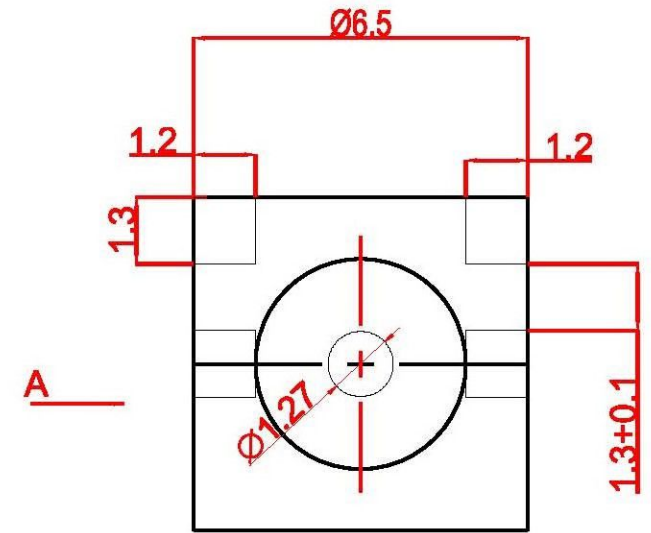
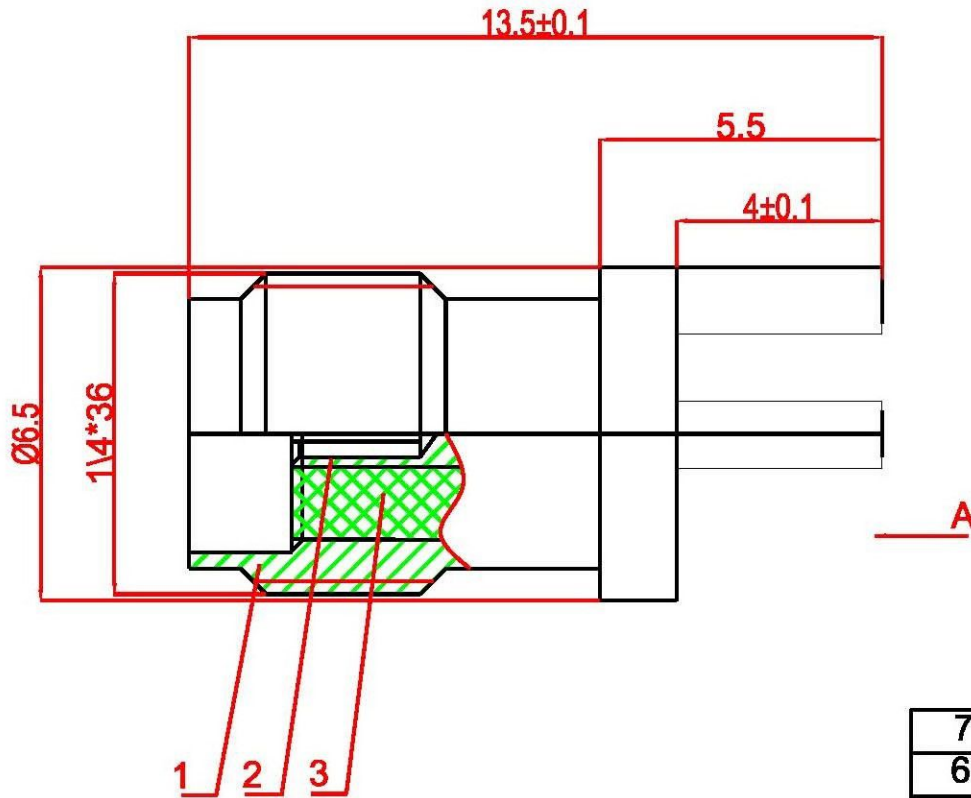


BRD3.650.



Technical Specification

1. Temperature Range: -40°C-125°C
2. Nominal Impedance: 50Ω
3. Frequency Range: 0-3GHz
4. Dielectric Strength: 750V
5. Insulation Resistance: 1000MΩ
6. Contact Resistance: inner conductor 5mΩ, outer conductor 2.5mΩ
7. V.S.W.R: ≤1.2(0-3G)
8. Durability: 500 times
9. Unit of All Dimensions: mm

7				1	
6				1	
5				1	
4				1	
3	PTFE SFX-1-1	INSULATOR		1	
2	PHOSPHOR COOPER	JACK	GOLD	1	
1	BRASS 59-1	SHELL	GOLD	1	
NO.	MATERIAL	NAME	COATING	QTY	NOTE
DESIGN		NQ-RA009			
DRAWN					
CHECK					
APPD					
				NQ CABLES	