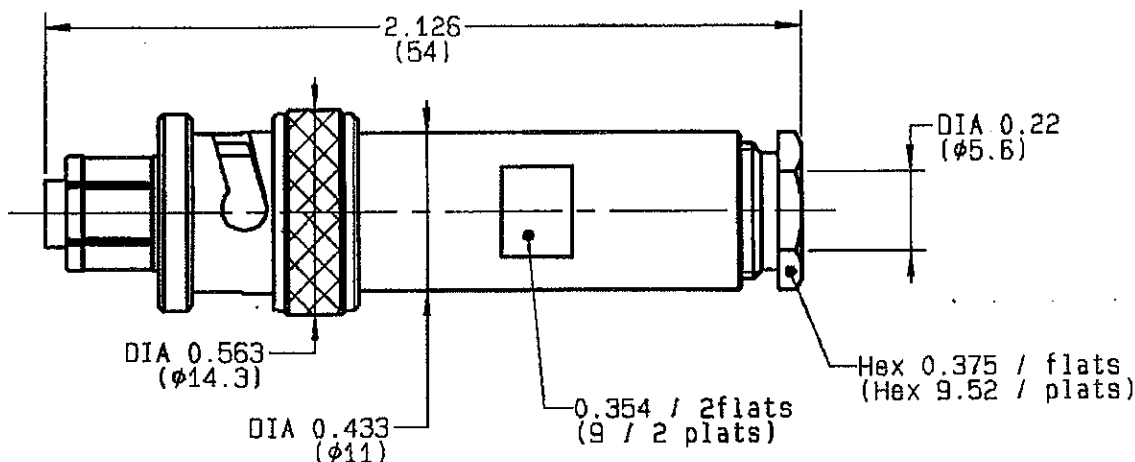


FEMALE STRAIGHT PLUG  
CABLE 5/50



CABLES : -

CHARACTERISTICS

NOMINAL IMPEDANCE	50 $\Omega$
FREQUENCY RANGE	0-2 GHz
TEMPERATURE RATING	-65/+165 °C
VSWR	1.2 + .3 x F(GHz)Max1
RF INSERTION LOSS	AD $\sqrt{F}$ (GHz) dB Max1
VOLTAGE RATING	6500 Vrms Max
DIELECTRIC WITHSTANDING VOLTAGE	12000 Vrms min
INSULATION RESISTANCE	5000 M $\Omega$ min
HERMETIC SEAL	- cc/s NA Atm.cm3/s
LEAKAGE (pressurized only)	- psi NA MPa
WEIGHT	0.8929 Oz 25 g

STANDARDISATION

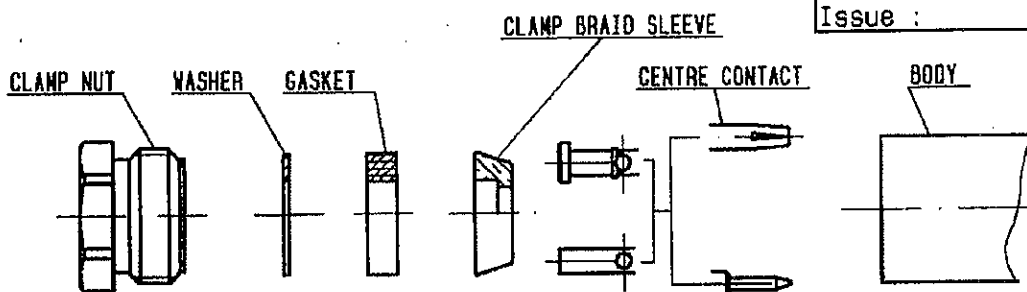
CABLE RETENTION	39.65 lb min 180 N
CENTER CONTACT RETENTION	
Axial force - mating and	5.95 lb min 27 N
Axial force - opposite end	5.95 lb min 27 N
Torque (Min)	0 Inch.oz NA cm.N
RECOMMENDED TORQUES	
Mating	0 Inch.lb 0m.N
Panel nut	0 Inch.lb 0m.N
Clamp nut	13.25 Inch.lb 150 cm.N

CONSTRUCTION

CONNECTOR PARTS	MATERIALS	FINISH
BODY	BRASS	NICKEL
OUTER CONTACT	BERYLLIUM COPPER	NICKEL
CENTER CONTACT	BERYLLIUM COPPER	GOLD
INSULATOR	PTFE	-
-	-	-
-	-	-
-	-	-
-	-	-

ISSUE	REVISION No	DESCRIPTION	BY	DATE

Initiated on	04/05/93	The information given here is subject to change without notice. Design changes may be in order to improve the product.	<b>RADIALL</b> <sup>®</sup>
Superseded on	- - -		



①

Strip the cable .



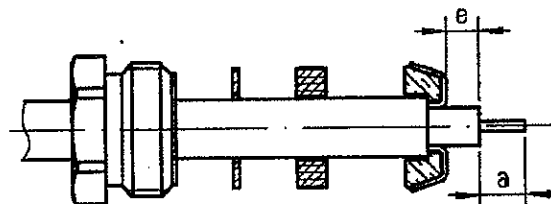
Stripping	a	b	c	d	e
inch	0.138	0.984	0	0	0.807
mm	3.5	25	-	-	20.5

②

Slide the clamp nut , the washer and the gasket onto the cable .

Slide clamp braid sleeve over braid .  
Fold back braid and trim off surplus braid .

Trim back dielectric as shown .

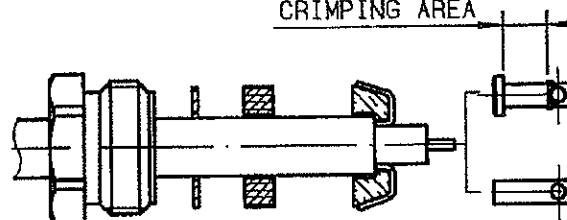


③

Slide on the centre contact until it bottoms against cable dielectric .

Crimp centre contact , crimping tool R282 223 000 ( hex:0.068) or crimping tool R282 293 000 (M22520/5-01) + dies R282 235 011 (M22520/5-11).

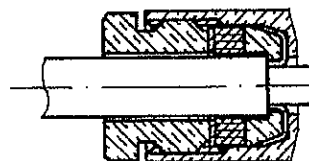
CRIMPING AREA



④

Screw sub-assembly into the connector body .

( recommended coupling torque 13.29 in.lb )



Hex. : 0.374/flats

113 921

# Mouser Electronics

Authorized Distributor

Click to View Pricing, Inventory, Delivery & Lifecycle Information:

[Radial:](#)

[R317005000](#)