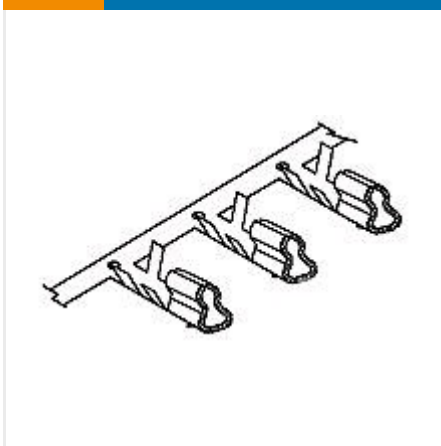




CONNECTORS

WIRE-TO-BOARD CONNECTOR CONTACTS



✓ Active

TE CONNECTIVITY (TE)

EMIX CONN., 1.5mm PITCH, TERMINAL

HPI | HDR

1775442-1

TE Internal Number: 1775442-1

EU RoHS Compliant

EU ELV Compliant

Contact Type Socket

Connector System Wire-to-Board

Centerline (Pitch) 1.5 mm [.059 in]

Wire/Cable Size (AWG) 30 – 24

Wire/Cable Size (mm²) .05 – .02

[↓ PRODUCT DRAWING](#)
English

[↓ 3D PDF](#)

DOCUMENTATION

Product Drawings

EMIX CONN., 1.5mm PITCH, TERMINAL

PDF

English

CAD Files

Customer View Model

3D_IGS.ZIP

English

Customer View Model

3D_STP.ZIP

English

Customer View Model

2D_DXF.ZIP

English

3D PDF

PDF

3D

Product Environmental Compliance

TE Material Declaration

MD_1775442-1_04012015322_dmtec

PDF

English

FEATURES



Please review product documents or [contact us](#) for the latest agency approval information.

Please Note: Use the Product Drawing for all design activity.

Product Type Features

Connector System Wire-to-Board

Connector & Contact Terminates To Wire & Cable

Wire/Cable Type Discrete Wire

Product Type Contact

Electrical Characteristics

Operating Voltage (VAC) 250

Contact Features

Contact Type Socket

Contact Mating Area Plating Material Tin

Contact Current Rating (Max) (A) 3

Crimp Area Plating Material Tin

Contact Mating Area Plating Material Finish Bright

Contact Base Material Phosphor Bronze

Contact Plating Material Tin over Nickel

Termination Features

Crimp Area Plating Material Finish Bright

Housing Features

Centerline (Pitch) 1.5 mm [.059 in]

Dimensions

Wire/Cable Size (AWG) 30 – 24

Wire/Cable Size (mm²) .05 – .02

Mating Post Length 5.14 mm [.202 in]

Usage Conditions

Operating Temperature Range -55 – 105 °C [-67 – 221 °F]

Operation/Application

For Use With 1775441-x

Packaging Features

Packaging Method Reel

Packaging Quantity 15000

PRODUCT COMPLIANCE



Statement of Compliance

Statement of Compliance

PDF
