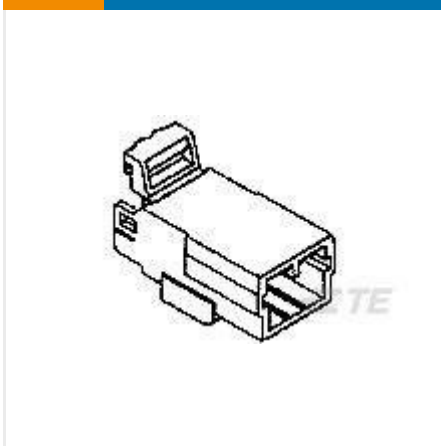




+ CONNECTORS

CONNECTOR HOUSINGS



✓ Active

TE CONNECTIVITY (TE)

070 MLC W-W CAP HSG 4P NATURAL

AMP | Multilock Connector System

174929-1

TE Internal Number: 174929-1

Alias ID: 0-0174929-1

EU RoHS Compliant

EU ELV Compliant

Connector System Wire-to-Wire

Connector Style Housing for female terminals

Mating Tab Width 1.8 mm [.07 in]

Centerline (Pitch) (in) .138

Number of Positions 4

[↓](#) **PRODUCT DRAWING**
English

[↓](#) **3D PDF**

DOCUMENTATION

Product Drawings

070 SERIES MULTI-LOCK I/O CONNECTOR 4POSITION CAP HOUSING (W-W)

PDF

English

CAD Files

Customer View Model

3D_IGS.ZIP

English

Customer View Model

3D_STP.ZIP

English

Customer View Model

2D_DXF.ZIP

English

3D PDF

PDF

3D

Product Specifications

Product Specification

.070 SERIES MULTI LOCK I/O CONNECTOR(MLC)

PDF

Japanese

Qualification Test Report

.070 MULTI-LOCK CONNECTOR (WIRE TO WIRE TYPE)

PDF

English

.070 MULTI-LOCK CONNECTOR (WIRE TO WIRE TYPE)

TIF

English

FEATURES



Please review product documents or [contact us](#) for the latest agency approval information.

Please Note: Use the Product Drawing for all design activity.

Product Type Features

Connector System Wire-to-Wire

Connector Style Housing for female terminals

Sealed No

Hybrid Connector No

Strain Relief No

Configuration Features

Number of Positions 4

Number of Rows 1

Body Features

Color White

Body Material PBT

Contact Features

Mating Tab Width 1.8 mm [.07 in]

Mechanical Attachment

Mounting Feature No
Terminal Position Assurance No
Polarized Yes

Housing Features

Centerline (Pitch) (in) .138
Pitch (mm) 3.5

Dimensions

Width 14.3 mm [.563 in]
Height 31.4 mm [1.24 in]
Length 17.8 mm [.7 in]

Usage Conditions

Operating Temperature (Max) (°C) 70, 75, 80, 85, 90, 100, 105
Operating Temperature (Max) (°F) 158, 167, 176, 185, 194, 212, 221
Operating Temperature Range -30 – 105 °C [-22 – 221 °F]

Operation/Application

Circuit Application Signal

Packaging Features

Packaging Method Bag
Packaging Quantity 250

Other

Connector Position Assurance Capable No

Statement of Compliance

Statement of Compliance

PDF
