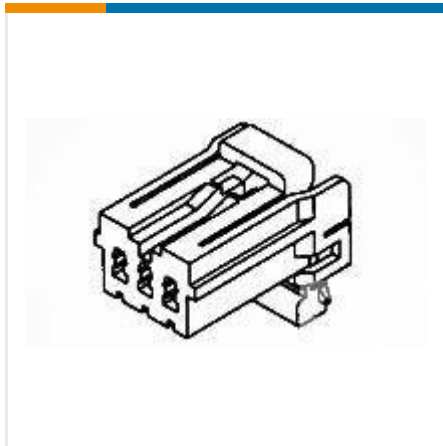




**+** CONNECTORS

CONNECTOR HOUSINGS



✓ Active

TE CONNECTIVITY (TE)

## 070 MLC W-W PLUG HSG 4P NATURA

AMP | Multilock Connector System

174922-1

TE Internal Number: 174922-1

Alias ID: 0-0174922-1

EU RoHS Compliant

EU ELV Compliant

**Connector System** Wire-to-Wire

**Connector Style** Housing for female terminals

**Mating Tab Width** 1.8 mm [ .07 in ]

**Centerline (Pitch) (in)** .138

**Number of Positions** 4

[↓](#) **PRODUCT DRAWING**  
Japanese

[↓](#) **3D PDF**

### DOCUMENTATION

Product Drawings

#### **.070 SRS MLC 4POS PLUG HSG**

PDF (TIFF AVAILABLE)

Japanese

CAD Files

#### **Customer View Model**

2D\_DXF.ZIP

English

#### **3D PDF**

PDF

3D

## Customer View Model

3D\_IGS.ZIP

English

## Customer View Model

3D\_STP.ZIP

English

---

Product Specifications

Product Specification

### **.070 SERIES MULTI LOCK I/O CONNECTOR(MLC)**

PDF

Japanese

### **.070 Series MULTILOCK I/O Connector (MLC) For PCB**

PDF

Japanese

Qualification Test Report

### **.070 MULTI-LOCK CONNECTOR (WIRE TO WIRE TYPE)**

PDF

English

### **.070 MULTI-LOCK CONNECTOR (WIRE TO WIRE TYPE)**

TIF

English

---

## FEATURES



Please review product documents or [contact us](#) for the latest agency approval information.

Please Note: Use the Product Drawing for all design activity.

---

Product Type Features

**Connector System** Wire-to-Wire

**Connector Style** Housing for female terminals

**Sealed** No

**Hybrid Connector** No

**Primary Locking Feature** Integrated in Housing

**Strain Relief** No

---

Configuration Features

**Number of Positions** 4

**Number of Rows** 1

---

Electrical Characteristics

**Nominal Voltage Architecture (V)** 12

**Operating Voltage (VDC)** 12

---

Body Features

**Color** Natural  
**Cable Exit Angle** 180°  
**Body Material** PBT

---

#### Contact Features

**Mating Tab Width** 1.8 mm [ .07 in ]

---

#### Mechanical Attachment

**Mounting Feature** No  
**Terminal Position Assurance** Yes  
**Polarized** Yes

---

#### Housing Features

**Centerline (Pitch) (in)** .138  
**Pitch (mm)** 3.5

---

#### Dimensions

**Width** 17.4 mm [ .685 in ]  
**Height** 15.9 mm [ .626 in ]  
**Length** 21.6 mm [ .85 in ]

---

#### Usage Conditions

**Operating Temperature (Max) (°C)** 70, 75, 80, 85, 90, 100, 105  
**Operating Temperature (Max) (°F)** 158, 167, 176, 185, 194, 212, 221  
**Operating Temperature Range** -30 – 105 °C [ -22 – 221 °F ]

---

#### Operation/Application

**Circuit Application** Signal

---

#### Industry Standards

**Degree of Protection** Other  
**UL Flammability Rating** UL 94-HB

---

#### Packaging Features

**Packaging Method** Bag  
**Packaging Quantity** 100

---

#### Other

**Connector Position Assurance Capable** No  
**Serviceable** Yes

---

#### Statement of Compliance

**Statement of Compliance**

PDF