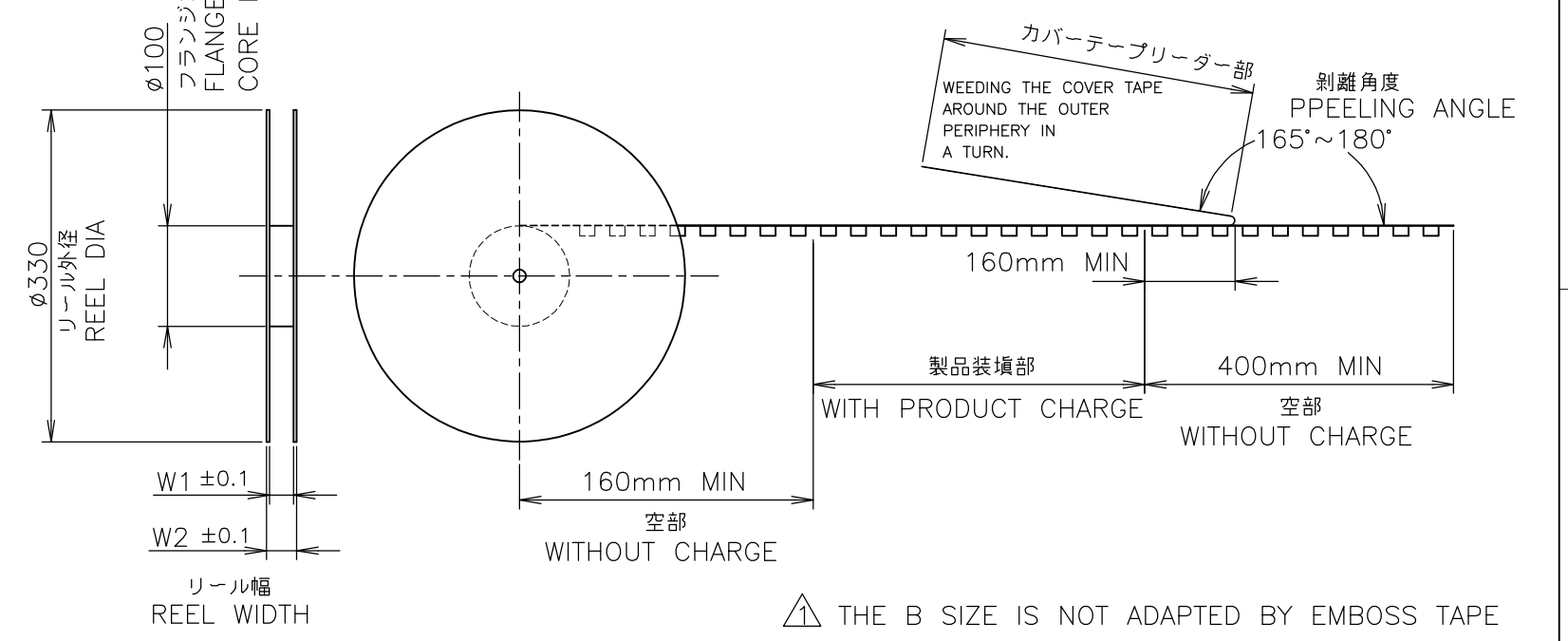
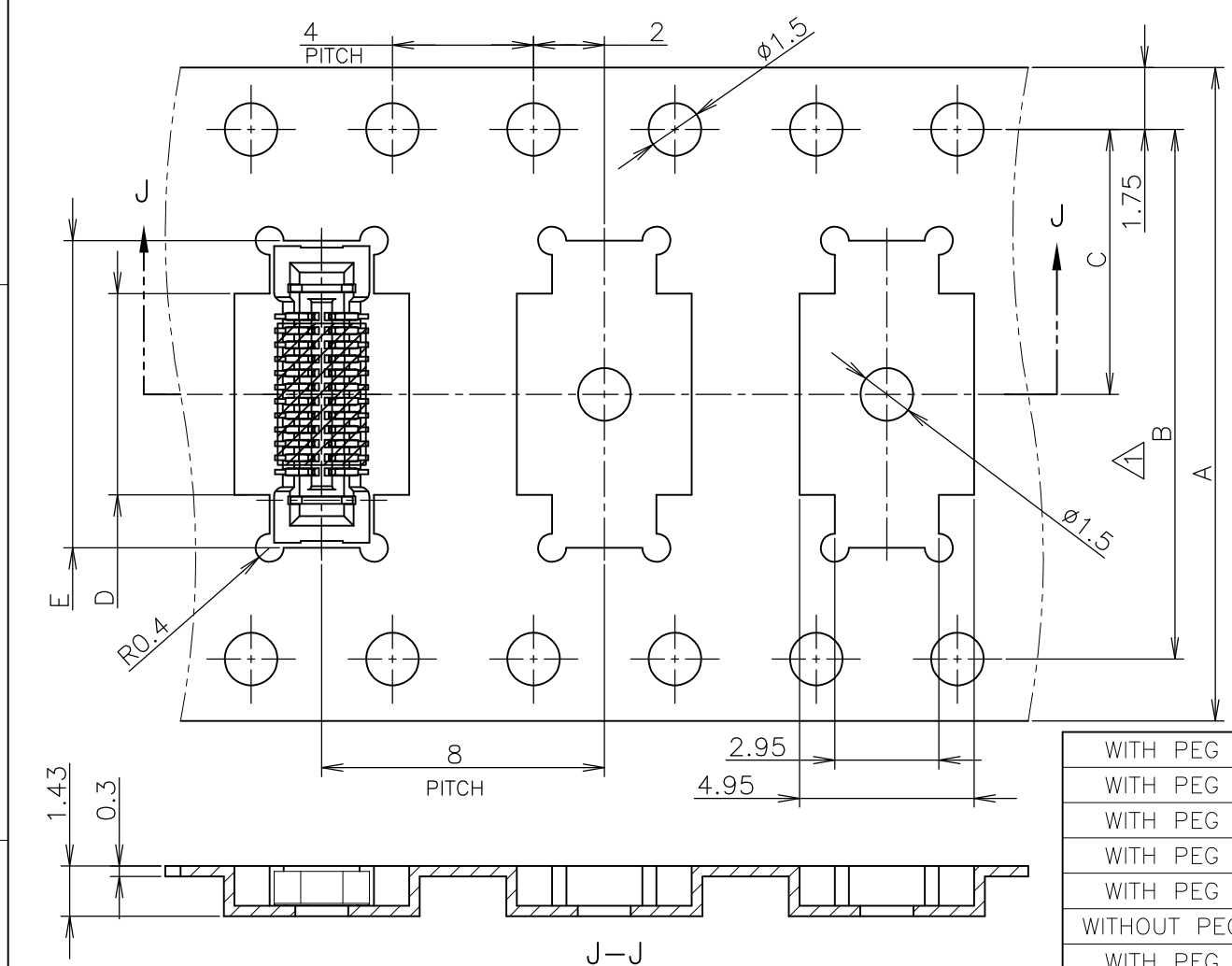
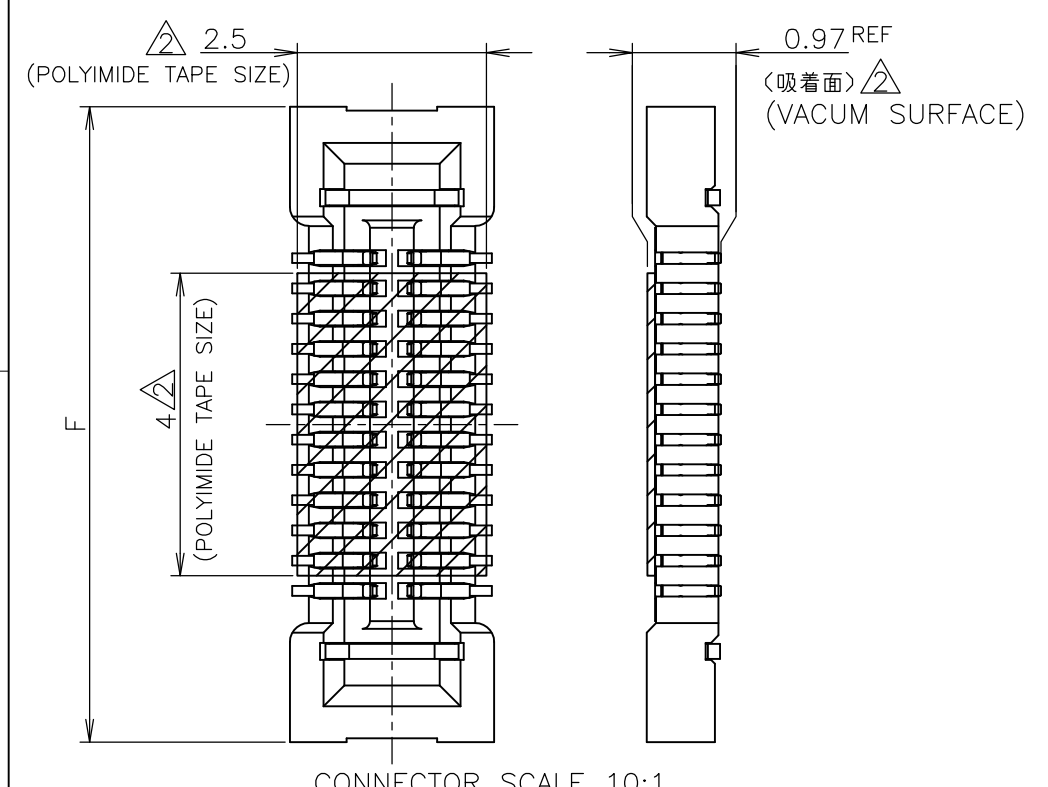


THIS DRAWING IS UNPUBLISHED. RELEASED FOR PUBLICATION AUG. 2004.
 © COPYRIGHT 2004 By - ALL RIGHTS RESERVED.

LOC	DIST	REVISIONS					
J	/	P	LTR	DESCRIPTION	DATE	DWN	APVD
		L1		REVISED PER ECO-11-005030	11MAR11	RK	HMR



△ B 寸法はエンボステープ幅 24mm 以下では適用しないこと
 △ 18 POS 以下の極数ではポリイミドテープの貼り付けは行わない
 △ THE B SIZE IS NOT ADAPTED BY EMBOSS TAPE WIDTH OF 24mm OR LESS.
 △ POLYIMIDE TAPE IS NOT ADAPTED POSITION 18 POS OR LESS



WITH PEG	AVAILABLE	38.4	33.5	0.0606	15.6	17.2	19.6	19.9	16.9	14.2	28.4	32	8-1747769-0	80	
WITH PEG	AVAILABLE	38.4	33.5	0.0546	13.6	15.2	17.6	17.9	14.9	14.2	28.4	32	7-1747769-0	70	
WITH PEG	AVAILABLE	30.4	24.4	0.0486	11.6	13.2	15.6	15.9	12.9	11.5	-	24	6-1747769-0	60	
WITH PEG	AVAILABLE	30.4	24.4	0.0426	9.6	11.2	13.6	13.9	10.9	11.5	-	24	5-1747769-0	50	
WITH PEG	AVAILABLE	30.4	24.4	0.0402	8.8	10.4	12.8	13.1	10.1	11.5	-	24	4-1747769-6	46	
WITHOUT PEG	AVAILABLE	30.4	24.4	0.0353	7.6	/	11.6	11.9	8.9	11.5	-	24	4-1747769-1	40	
WITH PEG	AVAILABLE	30.4	24.4	0.0366	7.6	9.2	11.6	11.9	8.9	11.5	-	24	4-1747769-0	40	
WITH PEG	AVAILABLE	30.4	24.4	0.0306	5.6	7.2	9.6	9.9	6.9	11.5	-	24	3-1747769-0	30	
WITHOUT PEG	AVAILABLE	30.4	24.4	0.0294	5.2	/	9.2	9.5	6.5	11.5	-	24	2-1747769-9	28	
WITH PEG	AVAILABLE	30.4	24.4	0.0294	5.2	6.8	9.2	9.5	6.5	11.5	-	24	2-1747769-8	28	
WITHOUT PEG	AVAILABLE	22.4	16.4	0.0270	4.4	/	8.4	8.7	5.7	7.5	-	16	2-1747769-5	24	
WITH PEG	AVAILABLE	22.4	16.4	0.0270	4.4	6.0	8.4	8.7	5.7	7.5	-	16	2-1747769-4	24	
WITHOUT PEG	AVAILABLE	22.4	16.4	0.0258	4.0	/	8.0	8.3	5.3	7.5	-	16	2-1747769-3	22	
WITH PEG	AVAILABLE	22.4	16.4	0.0258	4.0	5.6	8.0	8.3	5.3	7.5	-	16	2-1747769-2	22	
WITHOUT PEG	AVAILABLE	22.4	16.4	0.0246	3.6	/	7.6	7.9	4.9	7.5	-	16	2-1747769-1	20	
WITH PEG	AVAILABLE	22.4	16.4	0.0246	3.6	5.2	7.6	7.9	4.9	7.5	-	16	2-1747769-0	20	
WITH PEG	AVAILABLE	22.4	16.4	0.0222	3.6	4.4	6.8	7.1	4.1	7.5	-	16	1-1747769-6	16	
WITH PEG	NOT AVAILABLE	22.4	16.4	0.0198	2.0	3.6	6.0	6.3	3.3	7.5	-	16	1-1747769-2	12	
SOLDER PEG	TOOL STATUS	W2	W1	WEIGHT(g)	H	G	F	E	D	C	B	A	QTY/REEL	TAPING P/N	POS

THIS DRAWING IS A CONTROLLED DOCUMENT.

DWN T.KUBO 12AUG2004
 CHK H.MURAMATSU 12AUG2004
 APVD H.MURAMATSU 12AUG2004

DIMENSIONS: 単位: 耗 mm
 TOLERANCES UNLESS OTHERWISE SPECIFIED: 一般公差
 0 PLC ± 0.3
 1 PLC ± 0.3
 2 PLC ± -
 3 PLC ± -
 4 PLC ± -
 ANGLES ± 3'

MATERIAL 材料
 FINISH 仕上

PRODUCT SPEC 製品規格 108-5901
 APPLICATION SPEC 取付適用規格 411-78159

WEIGHT

CUSTOMER DRAWING

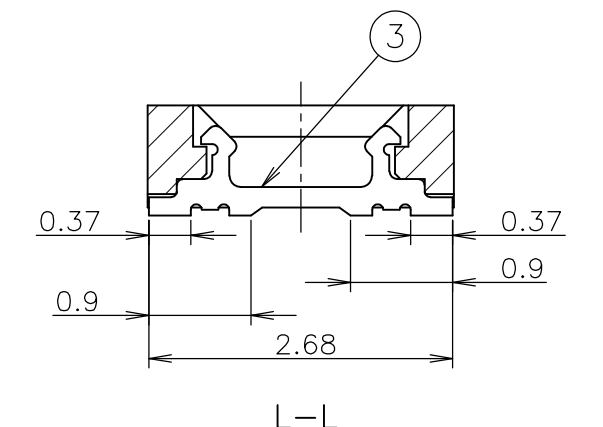
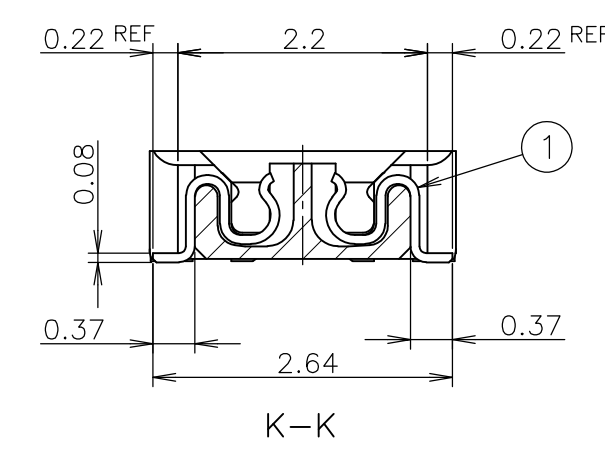
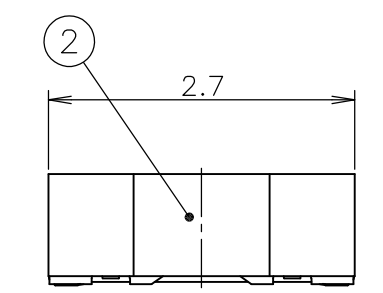
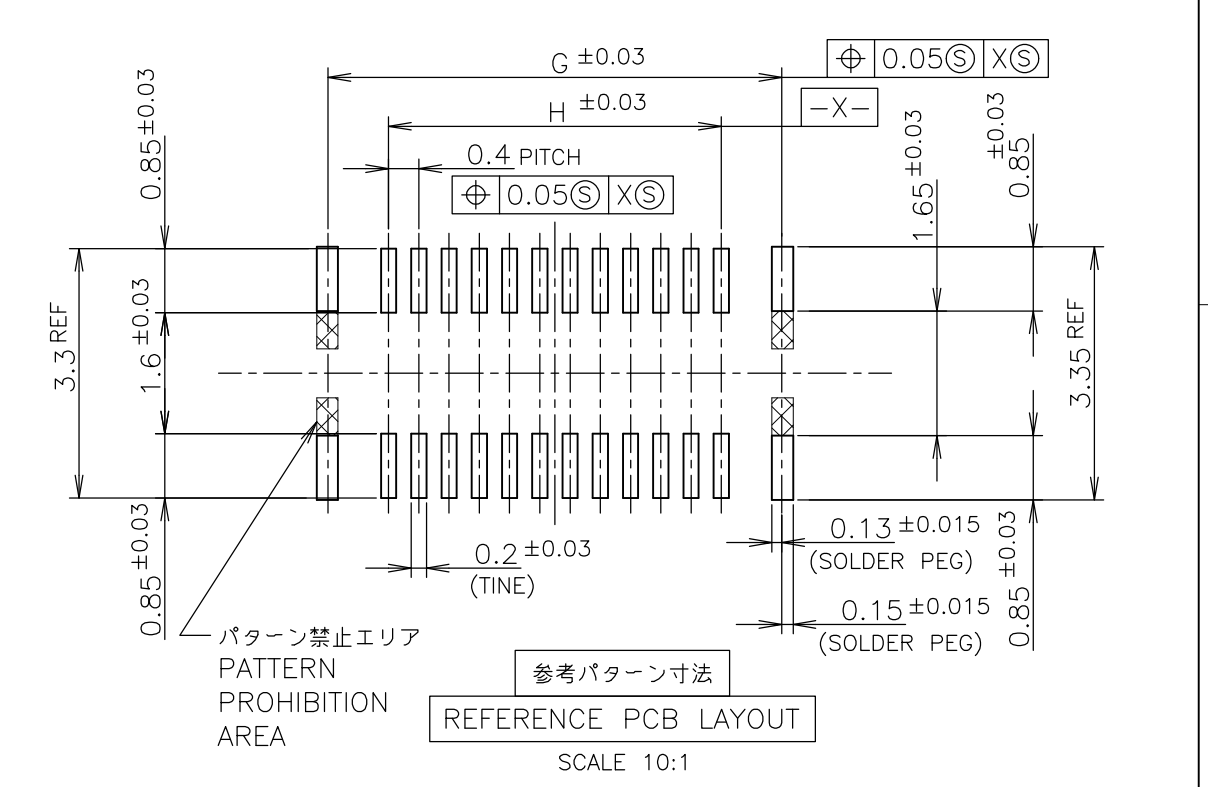
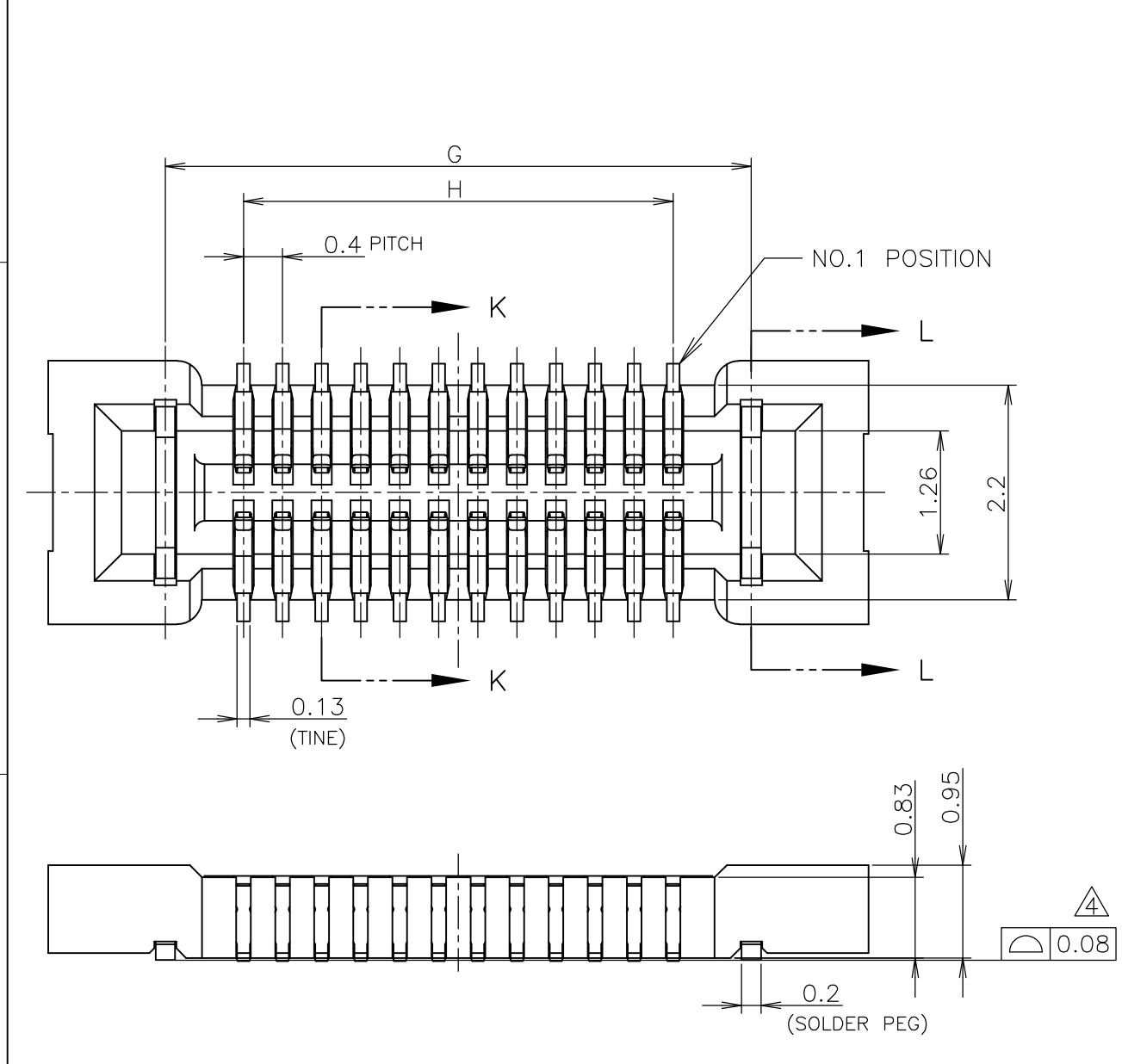
NAME 名称 H.MURAMATSU
 0.4mm PITCH STACKING CONNECTOR
 H=1.0mm RECEPTACLE, S2 TYPE

SIZE A3 CAGE CODE 00779 DRAWING NO. 番号 C-1747769 RESTRICTED TO

SCALE 尺度 1:2 SHEET 1 OF 2 REV L1

THIS DRAWING IS UNPUBLISHED. RELEASED FOR PUBLICATION AUG. 2004.
 © COPYRIGHT 2004 By - ALL RIGHTS RESERVED.

LOC	DIST	REVISIONS			DATE	DWN	APVD
J	/	P	LTR	DESCRIPTION			
		-		SEE SHEET 1	-	-	-



- 3 一般公差: ±0.1
- 4 コプラナリティ: 0.08mm 以下とする
- 5 材料はテーブル参照のこと
- 6 仕上げはテーブル参照のこと
- 7 バリなき事
- 8 その他の詳細は別途打合せのこと

- 3 GENERAL TOLERANCE: ±0.1
- 4 MUST BE MEASURED FLOATING AMOUNT OF TINES AND SOLDER PEG ROM DATUM SURFACE IS 0.08mm MAX.
- 5 MATERIAL THE TABLE IS REFERENCE
- 6 FINISH THE TABLE IS REFERENCE
- 7 NO BURRS ALLOWED
- 8 IN ADDITION DETAILS ARE THE SEPARATE HITTING ADJUSTING

Ni; 1.3um MIN., TIN; 2.0um MIN.	COOPER ALLOY	SOLDER PEG	3
	THERMO PLASTIC	HOUSING	2
Ni; 1.3um MIN., Au; 0.1um MIN. (CONTACT POINT) Ni; 1.3um MIN., Au; 0.05um ~0.20um. (TINE)	COPPER ALLOY	CONTACT	1
FINISH 6	MATERIAL 5	DESCRIPTION	ITEM

THIS DRAWING IS A CONTROLLED DOCUMENT.		DWN	TE Connectivity 0.4mm PITCH STACKING CONNECTOR H=1.0mm RECEPTACLE, S2 TYPE			
DIMENSIONS: 単位: 耗 mm		CHK				NAME 名称
TOLERANCES UNLESS OTHERWISE SPECIFIED: 一般公差		APVD				PRODUCT SPEC 製品規格
0 PLC ± 1 PLC ± 2 PLC ± 3 PLC ± 4 PLC ± ANGLES ±		WEIGHT				APPLICATION SPEC 取付適用規格
MATERIAL 材料 5	FINISH 仕上げ 6	CUSTOMER DRAWING	SIZE A3	CAGE CODE 00779	DRAWING NO 番号 G-1747769	RESTRICTED TO
			SCALE 尺度 15:1	SHEET 2 OF 2	REV L1	