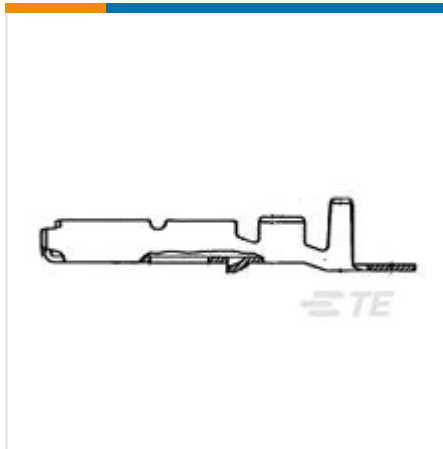




+ TERMINALS & SPLICES

AUTOMOTIVE, TRUCK, BUS, & OFF-ROAD TERMINALS



✓ Active

TE CONNECTIVITY (TE)

MIC MK-2 REC B TYPE

AMP

172773-1

TE Internal Number: 172773-1

EU RoHS Compliant

EU ELV Compliant

Terminal & Splice Style Receptacle

Terminal Transmits 0 – 24 A (Low Power)

Wire Size (mm²) .5 – 2

Sealable No

Wire Size Search (AWG) 14, 15, 16, 17, 18, 19, 20

[↓](#) **PRODUCT DRAWING**
Japanese

[↓](#) **3D PDF**

DOCUMENTATION

Product Drawings

RECEPTACLE CONTACT MULTI INTER LOCK CONNECTOR MARK II

PDF

Japanese

CAD Files

Customer View Model

2D_DXF.ZIP

English

Customer View Model

3D_IGS.ZIP

English

Customer View Model

3D_STP.ZIP

English

3D PDF

PDF

English

Product Specifications

Application Specification

Crimping Multi-Interlock (MIC) Conn. Mark II, Rec. Contact

PDF

English

Crimping Multi-Interlock (MIC) Conn. Mark II, Rec. Contact

TIF

English

Product Specification

Multi Inter Lock Connector (MIC) Mark II (UL 94 V-0)

TIF

Japanese

Multi Inter Lock Connector (MIC) Mark II (UL 94 V-0)

PDF

Japanese

Multi-Interlock Mark II Connector For Wire To Board Termination

TIF

English

Multi-Interlock Mark II Connector For Wire To Board Termination

PDF

English

Multi-Interlock Mark II Connector For Wire To Wire Termination

PDF

English

Multi-Interlock Mark II Connector For Wire To Wire Termination

TIF

English

Qualification Test Report

MULTI-INTERLOCK CONNECTOR MARK-II

TIF

English

MULTI-INTERLOCK CONNECTOR MARK-II

PDF

English

Multi-Interlock Connector (MK-II) (Wire-To-Wire Type)

TIF

English

Multi-Interlock Connector (MK-II) (Wire-To-Wire Type)

PDF

English

Instruction Sheets

Instruction Sheet (non U.S.)

Multi-Interlock Mark II Contact From Plug & Cap HSG

PDF

English

Multi-Interlock Mark II Contact From Plug & Cap HSG

TIF

English

FEATURES



Please review product documents or [contact us](#) for the latest agency approval information.

Please Note: Use the Product Drawing for all design activity.

Product Type Features

Sealable No

Receptacle Style 180°

Contact Features

Crimp Type F-Crimp

Terminal & Splice Style Receptacle

Interface Plating Tin (Sn)

Contact Termination Area Plating Material Tin (Sn)

Termination Features

Termination Method Crimp

Dimensions

Wire Size (mm²) .5 – 2

Wire Size Search (AWG) 14, 15, 16, 17, 18, 19, 20

Wire Size Search (mm²) .5, .6, .75, .85, 1, 1.25, 1.3, 1.5, 2

Wire Insulation Diameter 2.1 – 3.4 mm [.082 – .133 in]

Usage Conditions

Operating Temperature Range -30 – 105 °C [-22 – 221 °F]

Packaging Features

Packaging Quantity 3500

Packaging Method Reel

Other

Terminal Transmits 0 – 24 A (Low Power)

PRODUCT COMPLIANCE



Statement of Compliance

Statement of Compliance

PDF
