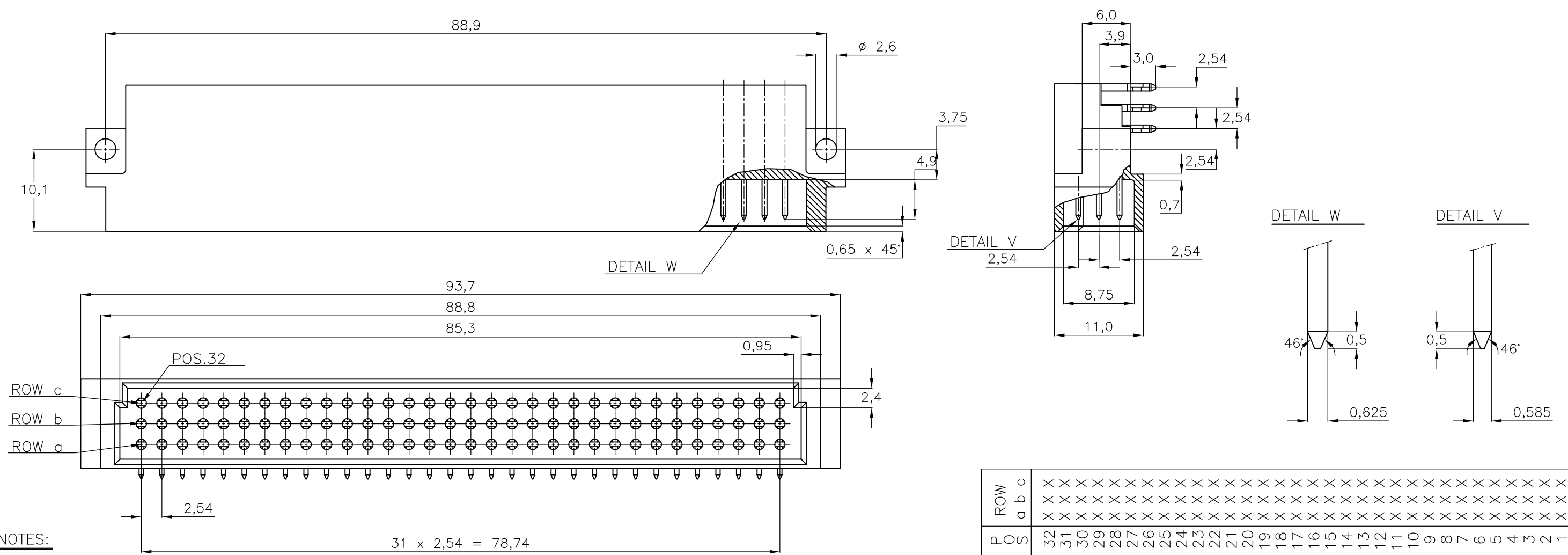


THIS DRAWING IS UNPUBLISHED. RELEASED FOR PUBLICATION
 © COPYRIGHT - By - ALL RIGHTS RESERVED.

LOC	DIST	REVISIONS					
		P	LTR	DESCRIPTION	DATE	DWN	APVD
H	-		F	REVISED PER ECO-15-006790	06MAY2015	AP	RP

P.C.B. HOLE DIM. ACTION PIN
 DRILLED HOLE : 1,15 ± 0,025 mm
 FIN. HOLE : 0,94 to 1,09 mm
 AFTER REFLOW : 0,91 to 1,09 mm
 Cu-thks : 0,025 to 0,075 mm
 Sn-thks : 0,004 to 0,010 mm

REFERENCE FAMILY DRAWING 650473
 FOR ALL TYPE C HEADER OFFERINGS



- NOTES:
- 1 MATERIAL:
 - HOUSING: THERMOPL.POLYESTER
 - COLOUR : GREY
 - CONTACTS: PHOSPHORBRONZE
 - 2 PLATING CONTACT :
 - 1 : 1,25 µm Au OVER 1,25 µm Ni AT CONNECTOR MATING SIDE.
2,54 µm Sn OVER 1,25 µm Ni AT ACTION-PIN AREA.
 - 4 : 0,8µm Au OVER 1,25 µm Ni AT CONTACT AREA.
2,54 µm Sn OVER 1,25 µm Ni AT ACTION-PIN AREA.
 - 7 : 2,0 µm Au OVER 1,25 µm Ni AT CONNECTOR MATING SIDE.
2,54 µm Sn OVER 1,25 µm Ni AT ACTION-PIN AREA.
 - 8 : 0,4µm Au OVER 1,25 µm Ni AT CONNECTOR MATING SIDE.
2,54 µm Sn OVER 1,25 µm Ni AT ACTION-PIN AREA.
 - 9 : SAME AS -4 EXCEPT WITHOUT Sn

AN ASTERISK „X” DENOTES A CONTACT.

OBSOLETE	SEE NOTE 2	SEE NOTE 1	215605-9
OBSOLETE	SEE NOTE 2	SEE NOTE 1	215605-8
OBSOLETE	SEE NOTE 2	SEE NOTE 1	215605-7
	SEE NOTE 2	SEE NOTE 1	215605-4
	SEE NOTE 2	SEE NOTE 1	215605-1
	SEE NOTE	MATERIAL	PARTNUMBER

THIS DRAWING IS A CONTROLLED DOCUMENT.

DWN R.v.LOKVEN	16DEC86	STE TE Connectivity
CHK J.GIBBELS	-	
APVD -	-	
DIMENSIONS: mm	TOLERANCES UNLESS OTHERWISE SPECIFIED:	96 POS. DIN 41612 TYPE C-MALE CONN. WITH ACTION PIN FOR 1,6 P.C.B. THK'S
	0 PLC ± - 1 PLC ± - 2 PLC ± - 3 PLC ± - 4 PLC ± - ANGLES ± RG	
MATERIAL -	FINISH -	SIZE A3
		CAGE CODE 00779
		DRAWING NO C-215605
		RESTRICTED TO -
CUSTOMER DRAWING		SCALE NTS
		SHEET 1 OF 1
		REV F

Mouser Electronics

Authorized Distributor

Click to View Pricing, Inventory, Delivery & Lifecycle Information:

[TE Connectivity:](#)

[215605-1](#)