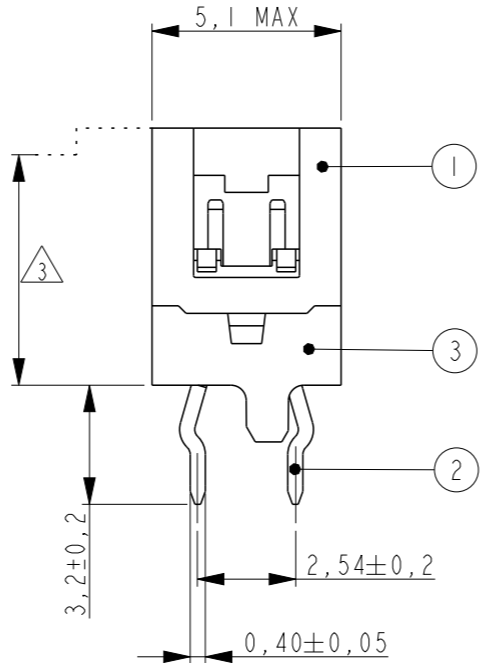
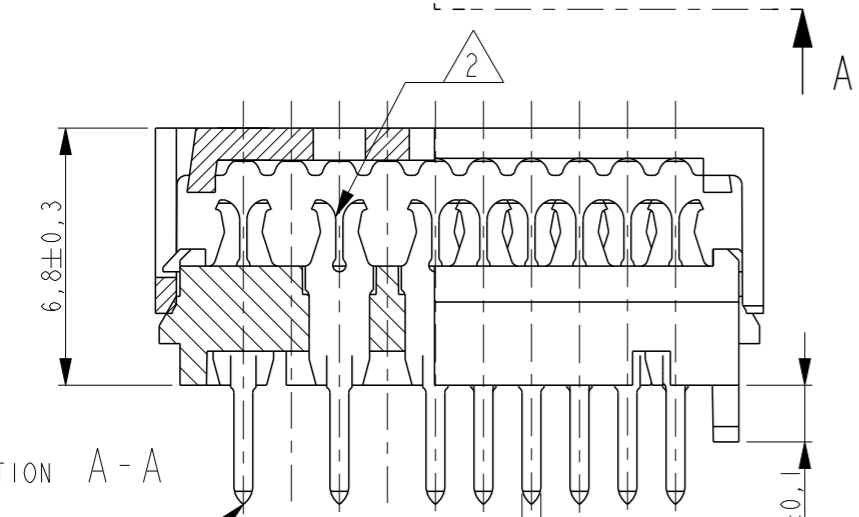
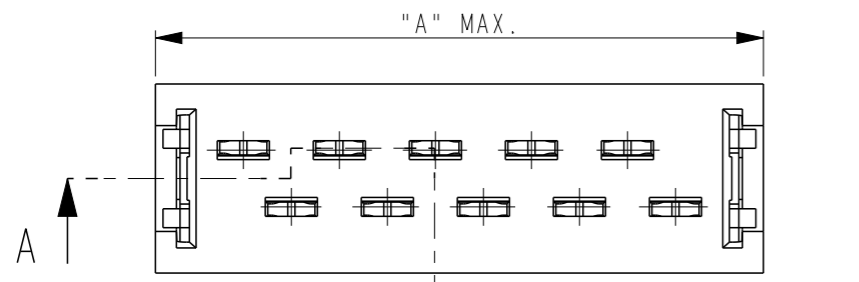


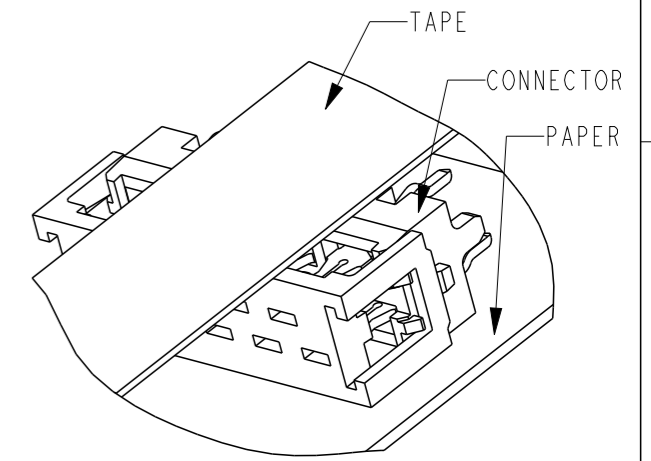
THIS DRAWING IS UNPUBLISHED. RELEASED FOR PUBLICATION

© COPYRIGHT 19 ALL RIGHTS RESERVED.

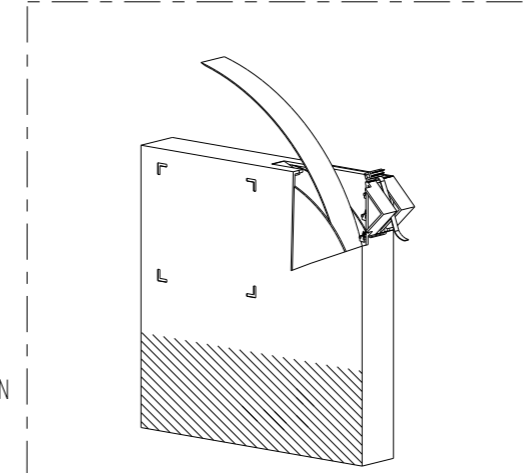
LOC	DIST	REVISIONS					
		P	LTR	DESCRIPTION	DATE	DWN	APVD
H	-			Y1 Adhesive tape width changed back to 6 mm	04FEB2016	SS	PS



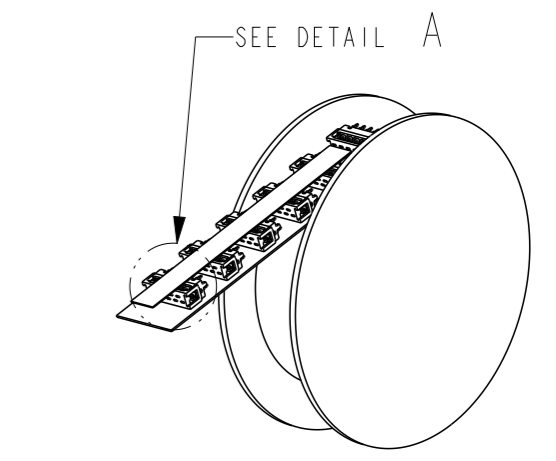
PARTNUMBER BOX PACKAGING	PARTNUMBER REEL PACKAGING	NO OF POS "n"	DIMENSION "A" MAX
7-215570-4	215570-4	4	8,6
7-215570-6	215570-6	6	11,1
7-215570-8	215570-8	8	13,6
8-215570-0	1-215570-0	10	16,2
8-215570-2	1-215570-2	12	18,7
8-215570-4	1-215570-4	14	21,3
8-215570-6	1-215570-6	16	23,8
8-215570-8	1-215570-8	18	26,3
9-215570-0	2-215570-0	20	28,9
9-215570-4	2-215570-4	24	34,0



DETAIL A  
DEREUELING DIRECTION AND POSITION OF CONNECTORS.

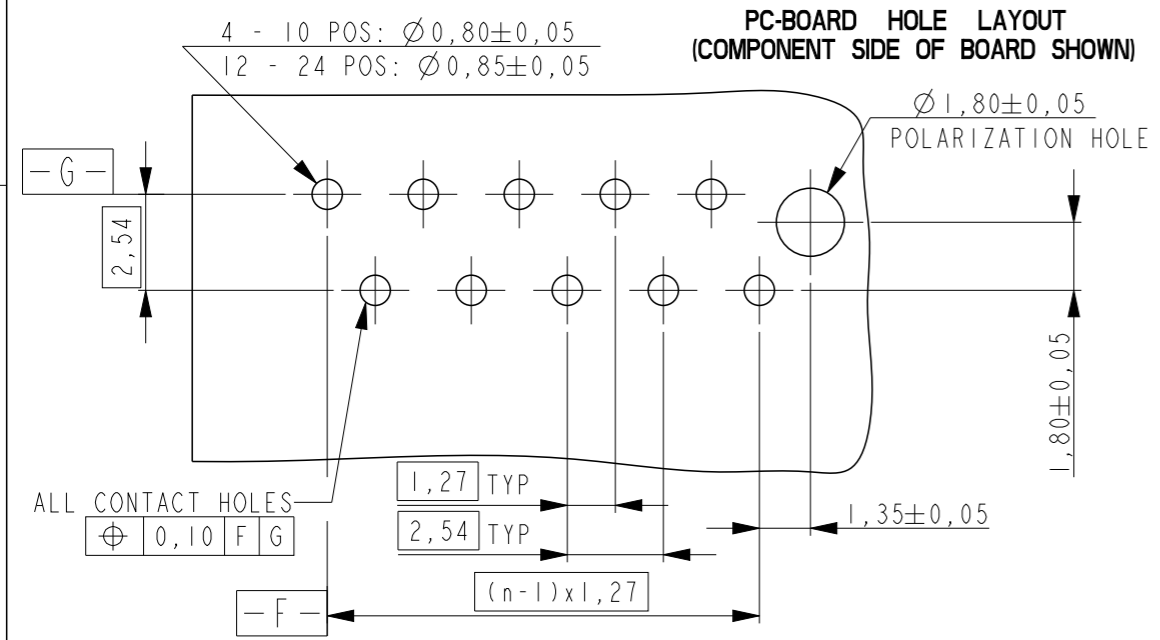


250 CONNECTORS PER BOX.  
BOX PACKAGING



2500 CONNECTORS PER REEL.  
REEL PACKAGING

- NOTES:
- 1 SHOWN IS A 10 POS. CONNECTOR
  - 2 FOR FLAT RIBBON CABLE REQUIREMENTS, SEE APPLICATION SPEC 114-19016.
  - 3 CONNECTOR-HEIGHT AFTER CABLE TERMINATION 5,1mm AVERAGE, DEPENDING ON PROCESSING, SEE APPLICATION SPEC 114-19016.
  - 4 REF. CONTACT SHOULDER BOTTOM, THAT CAN TOUCH THE PC-BOARD SURFACE.



THIS DRAWING IS A CONTROLLED DOCUMENT.

DIMENSIONS:	TOLERANCES UNLESS OTHERWISE SPECIFIED:
mm	
	0 PLC ±-
	1 PLC ±-
	2 PLC ±-
	3 PLC ±-
	4 PLC ±-
	ANGLES ±-
MATERIAL	FINISH
SEE TABLE	SEE TABLE

3	PADDLEBOARD HOUSING	G.F.POLYESTER (RED)	-
2	CONTACT	PHOSPHOR BRONZE	TIN OVER NICKEL
1	COVER	G.F.POLYESTER (RED)	-
Item no.	Description	Material	Finish
TE Connectivity			
Micro-MaTch PADDLE BOARD CONNECTOR			
APVD	F. LEIJTENS	NAME	
PRODUCT SPEC	108-19052		
APPLICATION SPEC	114-19016		
WEIGHT	-	SIZE	CAGE CODE
CUSTOMER DRAWING	SCALE 5:1	A3	00779
	DRAWING NO	C=215570	RESTRICTED TO
			REV Y1

# Mouser Electronics

Authorized Distributor

Click to View Pricing, Inventory, Delivery & Lifecycle Information:

[TE Connectivity:](#)

[215570-4](#)