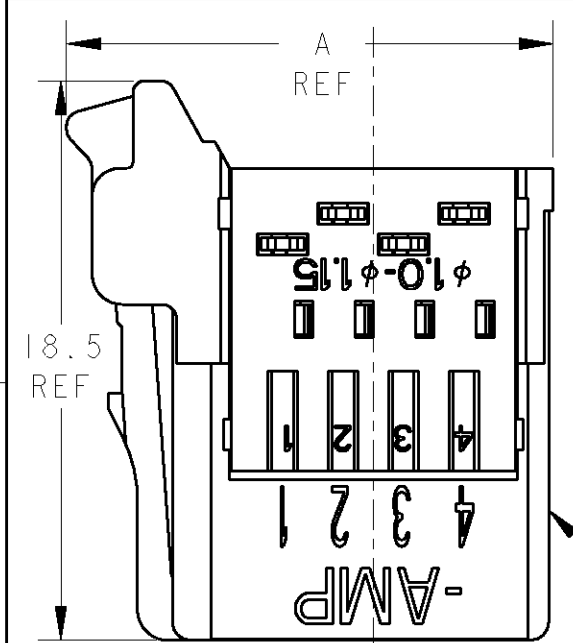


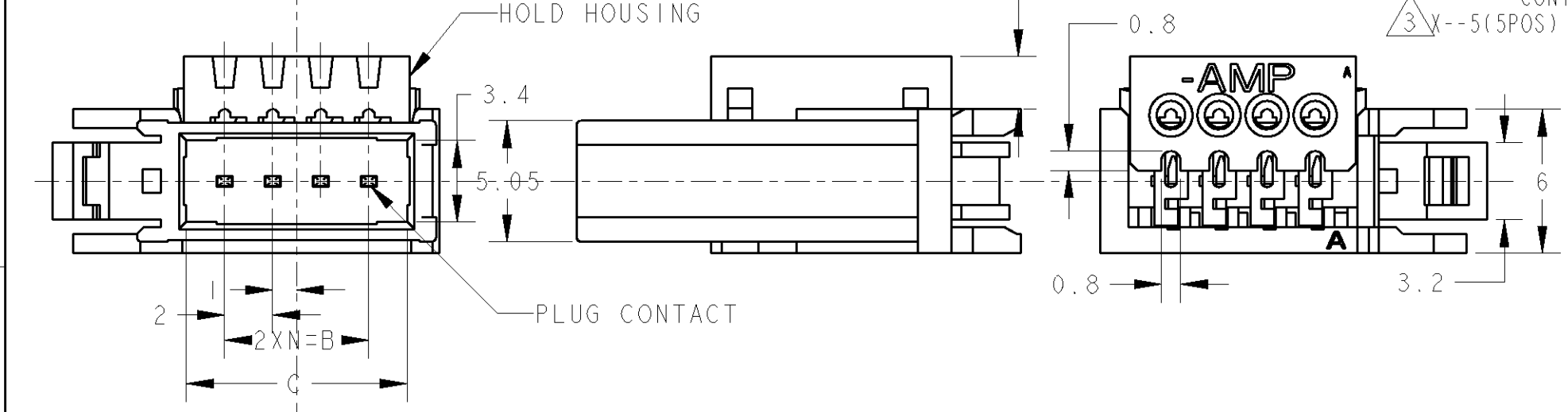
THIS DRAWING IS UNPUBLISHED. RELEASED FOR PUBLICATION  
 © COPYRIGHT - ALL RIGHTS RESERVED.

LOC	DIST	REVISIONS					
J	-	P	LTR	DESCRIPTION	DATE	DWN	APVD
				<b>C1 REVISED PER ECO-11-005030</b>	<b>26APR11</b>	<b>RK</b>	<b>HMR</b>



1473562-4: AS SHOWN  
 1473562-4: 本図

注記  
 ① 材料: PLUG HOUSING: ガラス入り熱可塑性ポリエステル樹脂 94V-0 黒  
 HOLD HOUSING: ポリカーボネイト 94V-0 黄色: 0-、赤色: 1-、青色: 2-  
 コンタクト: 銅合金  
 ② メッキ: 全面Ni下地: 1.27μm以上  
 接点部: 0.2μm MIN 金メッキ  
 ③ X--5(5POS)と-7(7POS)は、回路番号6と8にコンタクトが装着されません

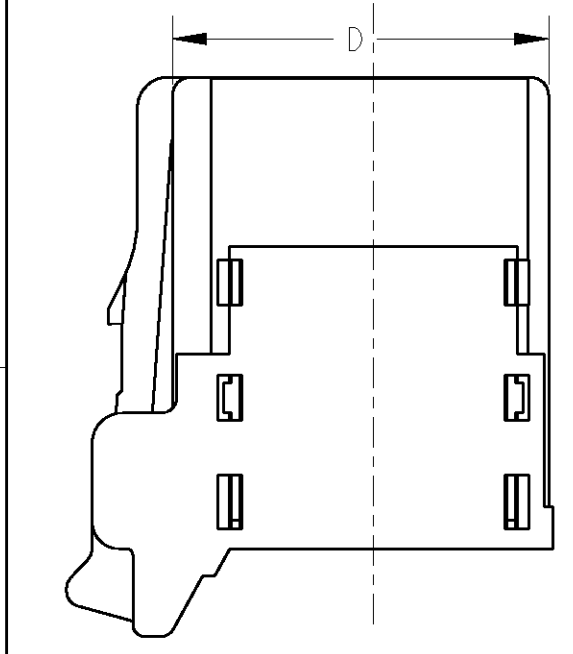


NOTE  
 ① MATERIAL: PLUG HOUSING: GLASS FILLED THERMOPLASTIC, 94V-0, BLACK  
 HOLD HOUSING: PC, 94V-0, YELLOW: 0-, RED: 1-, BLUE: 2-  
 CONTACT: COPPER ALLOY  
 ② FINISH: UNDERPLATE: Ni 1.27μm min  
 CONTACT AREA: Au 0.2μm min  
 ③ X--5(5POS) AND X--7(7POS) DO NOT EQUIP WITH CONTACT OF CIRCUIT NO 6 AND 8.

BLUE	20.35	17.2	14	24.1	7	8	2-1473562-8
RED	20.35	17.2	14	24.1	7	8	1-1473562-8
YELLOW	20.35	17.2	14	24.1	7	8	1473562-8
BLUE	20.35	17.2	14	24.1	7	7	③ 2-1473562-7
RED	20.35	17.2	14	24.1	7	7	③ 1-1473562-7
YELLOW	20.35	17.2	14	24.1	7	7	③ 1473562-7
BLUE	16.35	13.2	10	20.1	5	6	2-1473562-6
RED	16.35	13.2	10	20.1	5	6	1-1473562-6
YELLOW	16.35	13.2	10	20.1	5	6	1473562-6
BLUE	16.35	13.2	10	20.1	5	5	③ 2-1473562-5
RED	16.35	13.2	10	20.1	5	5	③ 1-1473562-5
YELLOW	16.35	13.2	10	20.1	5	5	③ 1473562-5
BLUE	12.35	9.2	6	16.1	3	4	2-1473562-4
RED	12.35	9.2	6	16.1	3	4	1-1473562-4
YELLOW	12.35	9.2	6	16.1	3	4	1473562-4
BLUE	10.35	7.2	4	14.1	2	3	2-1473562-3
RED	10.35	7.2	4	14.1	2	3	1-1473562-3
YELLOW	10.35	7.2	4	14.1	2	3	1473562-3
HOLD HSG COLOR	D	C	B	A	N	POS	PART NUMBER

<Table of Insulation Dia (Cable suitable for e-CON.)>  
 <被覆外径一覧表(e-CON 適応電線)>

ORANGE	φ0.60~0.90	3-1473562-□	SEE SHEET 3
RED	φ0.90~1.00	1-1473562-□	SEE SHEET 1
YELLOW	φ1.00~1.15	1473562-□	SEE SHEET 1
BLUE	φ1.15~1.35	2-1473562-□	SEE SHEET 1
GREEN	φ1.35~1.60	4-1473562-□	SEE SHEET 2
HOLD HSG COLOR	INSULATION DIA	PART NUMBER	SHEET No

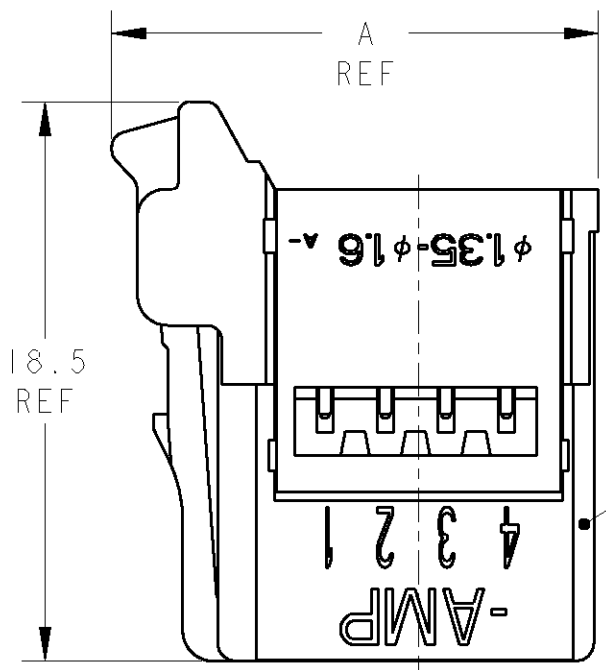


取扱説明書 (Instruction Sheet): 411-78014

DIMENSIONS: 単位: 概 mm 	TOLERANCES UNLESS OTHERWISE SPECIFIED: 一般公差 0 PLC ± 1 PLC ±0.2 2 PLC ±3° 3 PLC ± 4 PLC ± ANGLES ±	DWN D. MITSUGI	
		CHK S. MANABE	
	MATERIAL 材料 SEE NOTE ①	APVD S. MANABE	NAME 名称 PLUG ASSY FOR e-CON - RITS CONN. -
		PRODUCT SPEC 108-5765	
FINISH 仕上 SEE NOTE ②	WEIGHT -	APPLICATION SPEC 取付適用規格	SIZE A3
		CUSTOMER DRAWING	CAGE CODE 00779
		SCALE 尺度 4:1	RESTRICTED TO -
		SHEET 1	REV C1

THIS DRAWING IS UNPUBLISHED. RELEASED FOR PUBLICATION  
 © COPYRIGHT ALL RIGHTS RESERVED.

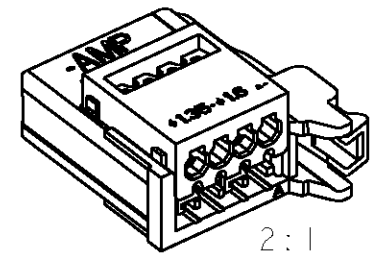
LOC	DIST	REVISIONS					
J	-	P	LTR	DESCRIPTION	DATE	DWN	APVD
		-		SEE SHEET 1			



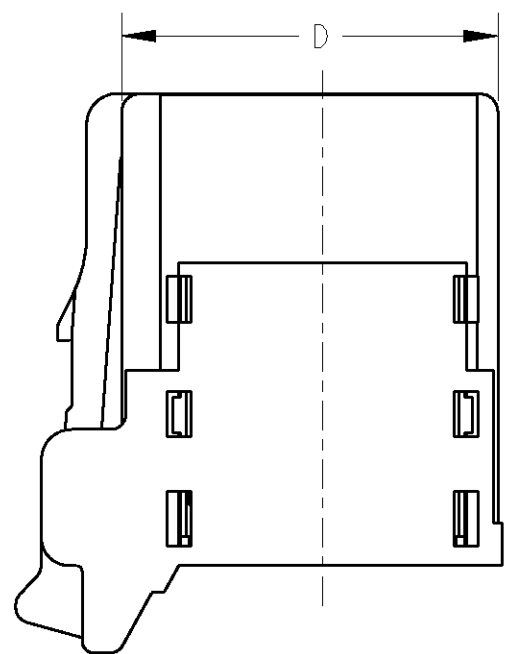
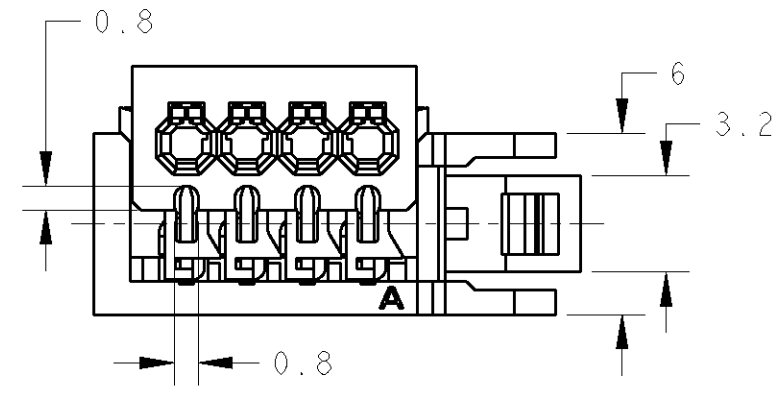
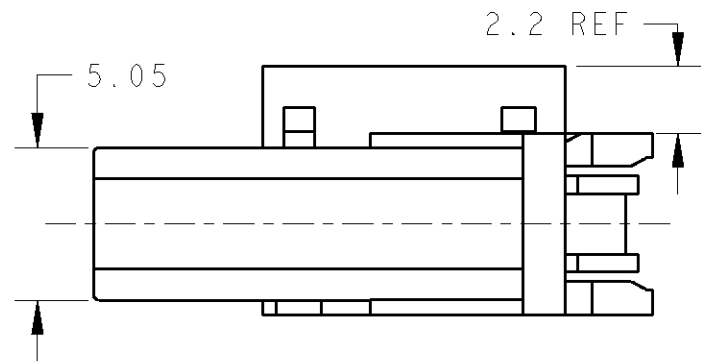
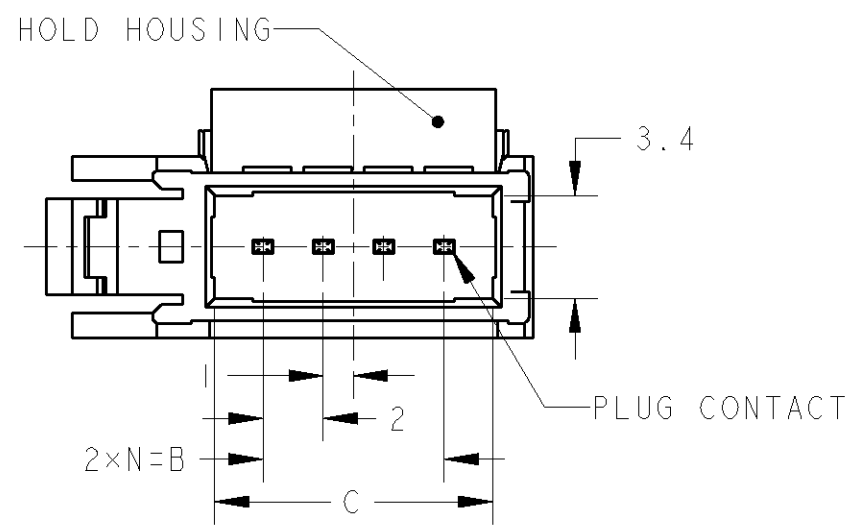
PLUG HOUSING

4-1473562-4: AS SHOWN  
 4-1473562-4: 本図

- ① 材料 PLUG HOUSING : ガラス入り熱可塑性ポリエステル樹脂 94V-0 黒  
 HOLD HOUSING : ポリカーボネイト 94V-0 緑色:4-  
 コンタクト : 銅合金
  - ② 仕上げ 全面 : ニッケルメッキ下地 1.27μm以上  
 接点部 : 金メッキ 0.2μm以上
  - ③ -5(5POS)と-7(7POS)は、回路番号6と8にコンタクトが装着されません
- ① MATERIAL PLUG HOUSING : GLASS FILLED THERMOPLASTIC, 94V-0, BLACK  
 HOLD HOUSING : PC, 94V-0, GREEN:4-  
 CONTACT : COPPER ALLOY
- ② FINISH UNDERPLATE : Ni PLATING ALL SURFACE 1.27μm MIN  
 CONTACT AREA : Au PLATING 0.2μm MIN
- ③ -5(5POS) AND -7(7POS) DO NOT EQUIP WITH CONTACT OF CIRCUIT NO 6 AND 8.



2:1



取扱説明書 (Instruction Sheet): 411-78014

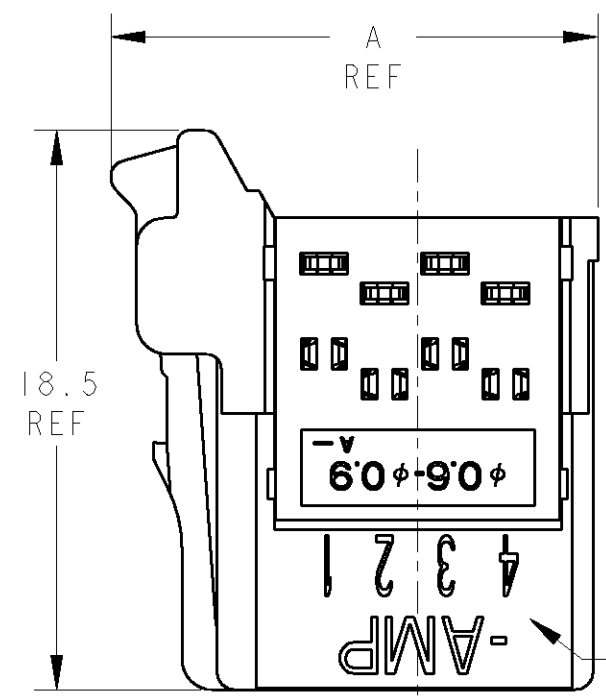
GREEN	20.35	17.2	14	24.1	7	8	4-1473562-8
	20.35	17.2	14	24.1	7	7	③4-1473562-7
	16.35	13.2	10	20.1	5	6	4-1473562-6
	16.35	13.2	10	20.1	5	5	③4-1473562-5
	12.35	9.2	6	16.1	3	4	4-1473562-4
	10.35	7.2	4	14.1	2	3	4-1473562-3
HOLD HSG COLOR	D	C	B	A	N	POS.	PART NUMBER

DIMENSIONS: 単位: 概 mm 		TOLERANCES UNLESS OTHERWISE SPECIFIED: 一般公差 0 PLC ± 1 PLC ±0.2 2 PLC ±3° 3 PLC ± 4 PLC ± ANGLES ±		DWN K.RIKU 26DEC02 CHK D.MITSUGI 26DEC02 APVD S.MANABE 26DEC02		TE Connectivity NAME PLUG ASSY FOR e-CON - RITS CONN. -	
MATERIAL ① SEE NOTE ①		FINISH ② SEE NOTE ②		PRODUCT SPEC 108-5765 APPLICATION SPEC WEIGHT -			
CUSTOMER DRAWING				SCALE 3:1		SHEET 2 OF 3 REV C1	

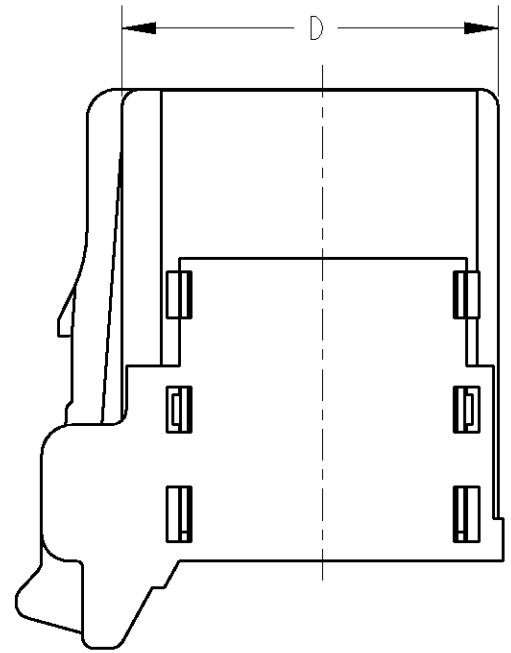
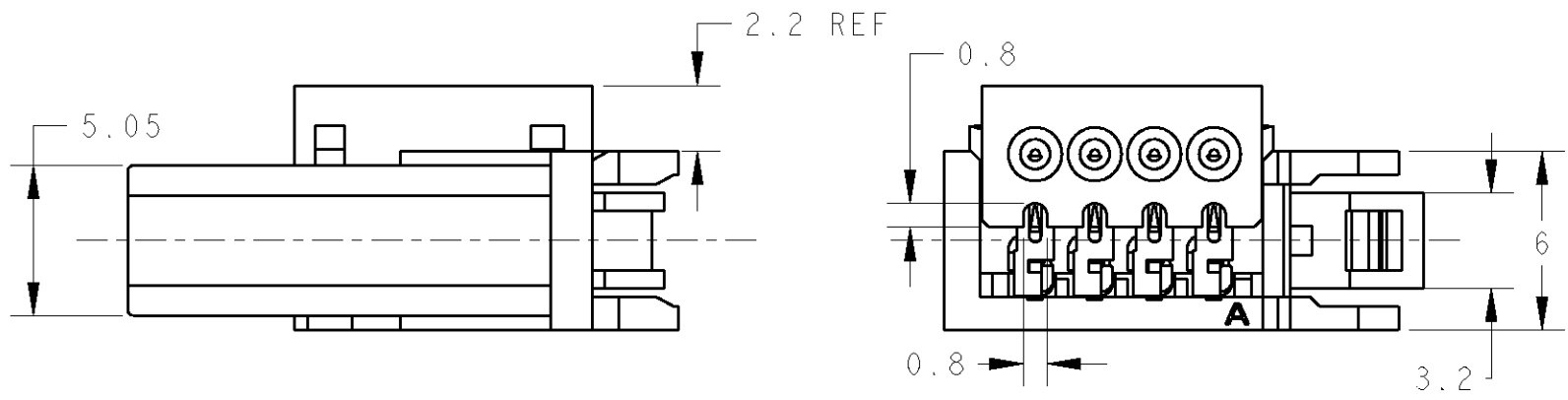
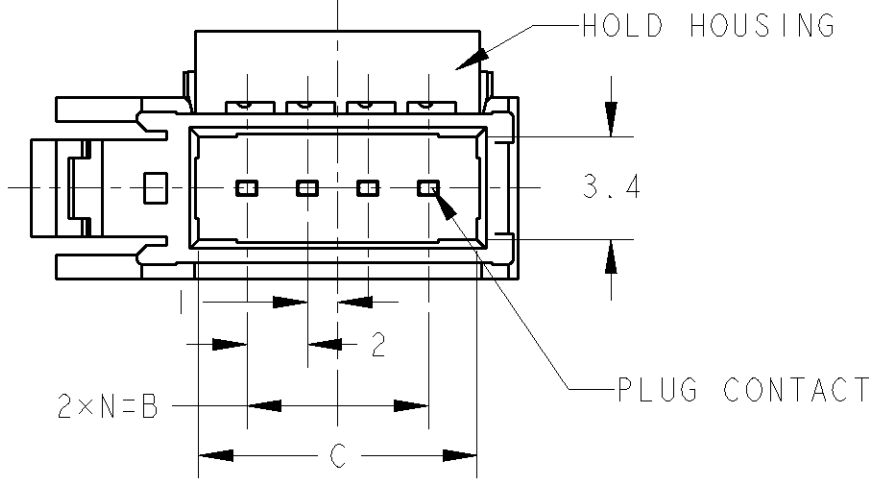
THIS DRAWING IS UNPUBLISHED. RELEASED FOR PUBLICATION  
 © COPYRIGHT ALL RIGHTS RESERVED.

LOC	DIST	REVISIONS					
J	-	P	LTR	DESCRIPTION	DATE	DWN	APVD
				SEE SHEET 1			

3-1473562-4 : AS SHOWN  
 3-1473562-4 : 本図



- ① 材料: PLUG HOUSING : ガラス入り熱可塑性ポリエステル樹脂 94V-0 黒  
 HOLD HOUSING : ポリカーボネイト 94V-0 オレンジ色: 3-  
 コンタクト: 銅合金
  - ② メッキ: 全面ニッケル下地: 1.27μm以上  
 接点部: 金メッキ: 0.2μm以上
  - ③ -5(5POS)と-7(7POS)は、回路番号6と8にコンタクトが装着されません。
- ① MATERIAL: PLUG HOUSING : GLASS FILLED THERMOPLASTIC, 94V-0, BLACK  
 HOLD HOUSING : PC, 94V-0, ORANGE: 3-  
 CONTACT : COPPER ALLOY
- ② FINISH: UNDERPLATE : Ni 1.27μm MIN  
 CONTACT AREA : Au 0.2μm MIN
- ③ -5(5POS) AND -7(7POS) DO NOT EQUIP WITH CONTACT OF CIRCUIT No. 6 & 8.



取扱説明書 (Instruction Sheet): 411-78010

ORANGE	20.35	17.2	14	24.1	7	8	3-1473562-8
	20.35	17.2	14	24.1	7	7	③ 3-1473562-7
	16.35	13.2	10	20.1	5	6	3-1473562-6
	16.35	13.2	10	20.1	5	5	③ 3-1473562-5
	12.35	9.2	6	16.1	3	4	3-1473562-4
	10.35	7.2	4	14.1	2	3	3-1473562-3
HOLD HSG COLOR	D	C	B	A	N	POS.	PART NUMBER

DIMENSIONS: 単位: 概 mm 		TOLERANCES UNLESS OTHERWISE SPECIFIED: 一般公差 0 PLC ± ±0.2 1 PLC ± ±3° 2 PLC ± ±3° 3 PLC ± ± 4 PLC ± ± ANGLES ± ±		DWN S. YOKOZEKI 21 JAN '03 CHK D. MITSUGI 30 JAN '03 APVD S. MANABE 30 JAN '03			
MATERIAL ① SEE NOTE 材料		FINISH ② SEE NOTE 仕上		PRODUCT SPEC 108-5765 APPLICATION SPEC 取付適用規格			
WEIGHT -		CUSTOMER DRAWING		SIZE A3 CAGE CODE 00779 DRAWING NO. 1473562		RESTRICTED TO -	
SCALE 4:1				SHEET 3 OF 3		REV C1	

# Mouser Electronics

Authorized Distributor

Click to View Pricing, Inventory, Delivery & Lifecycle Information:

[TE Connectivity:](#)

[2-1473562-3](#)