

THIS DRAWING IS UNPUBLISHED.

RELEASED FOR PUBLICATION

LOC

DIST

REVISIONS

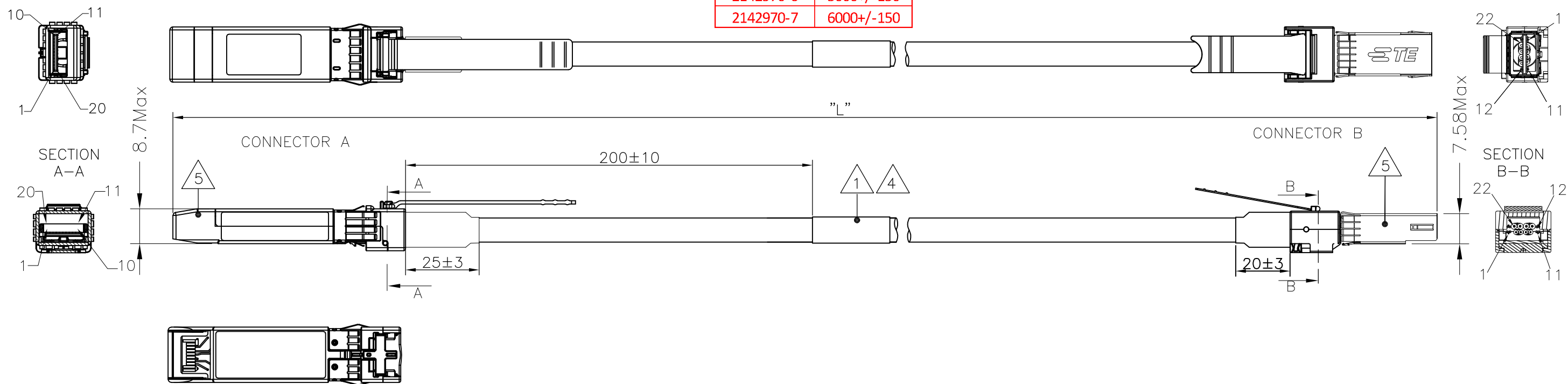
© COPYRIGHT - By -

ALL RIGHTS RESERVED.

P	LTR	DESCRIPTION	DATE	DWN	APVD
5	-		20NOV2014	WZ	RL

TE PN	LENGTH "L"
2142970-1	500+/-15
2142970-2	1000+/-25
2142970-3	2000+/-50
2142970-4	3000+/-75
2142970-5	4000+/-125
2142970-6	5000+/-150
2142970-7	6000+/-150

PRELIMINARY PART
NOT RELEASED FOR PRODUCTION



Notes:

1. LABEL:

STE 2142970-[]
micro SFP+ TO SFP+
YYWWSSSS

- 2. ASSEMBLY TO BE TESTED FOR CONTINUITY, OPENS, SHORTS, EEPROM PROGRAM AND SIGNAL INTEGRITY.
- 4. SEE SHEET 2 FOR WIRING SCHEMATIC. PROGRAM EEPROM PER 2142970_EEPROM.
- 4. IN CASE ASSY LENGTH < 0.4M THEN PLACE LABEL IN THE MIDDLE.
- 5. SLIDE DUST CAP OVER CONNECTOR (DUST CAP NOT SHOWN ON DRAWING)

PRODUCT AND PROCESSING MUST MEET REQUIREMENTS OF TE CONNECTIVITY ENVIRONMENTAL STANDARD TEC-138-702	
THIS DRAWING IS A CONTROLLED DOCUMENT.	
DIMENSIONS: mm	TOLERANCES UNLESS OTHERWISE SPECIFIED:
	0 PLC ± -
	1 PLC ± -
	2 PLC ± -
	3 PLC ± -
	4 PLC ± -
	ANGLES ± -
MATERIAL	FINISH
-	-

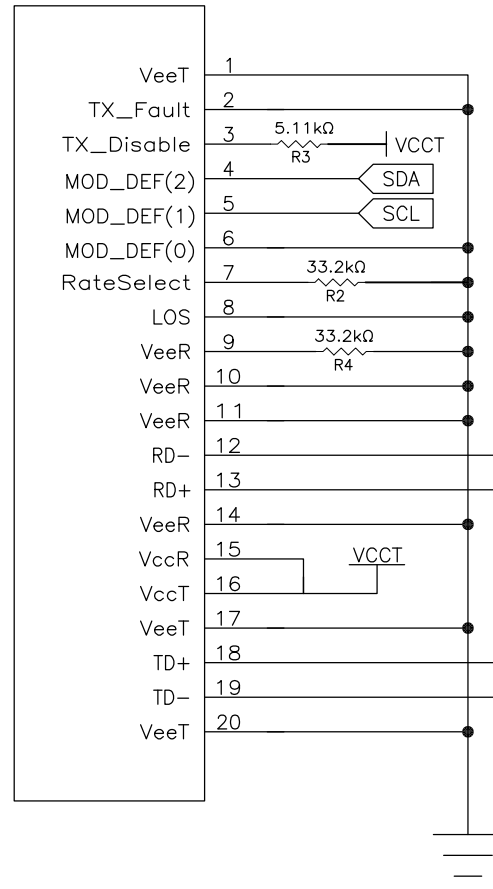
DWN	9SEP2014	STE TE Connectivity			
WILL ZI					
CHK	-				
Zhang, Finn		NAME			
APVD	-				
Roel Lokven van		Micro SFP+ to SFP+			
PRODUCT SPEC					
APPLICATION SPEC					
WEIGHT	-	SIZE	CAGE CODE	DRAWING NO	RESTRICTED TO
CUSTOMER DRAWING	SCALE	A3	00779	C-2142970	-
	1:1	SHEET	1 of 2	REV	5

THIS DRAWING IS UNPUBLISHED. RELEASED FOR PUBLICATION
 © COPYRIGHT - By - ALL RIGHTS RESERVED.

LOC	DIST	REVISIONS					
		P	LTR	DESCRIPTION	DATE	DWN	APVD
-	-	-	-	SEE SHEET 1	-	-	-

CONNECTOR A

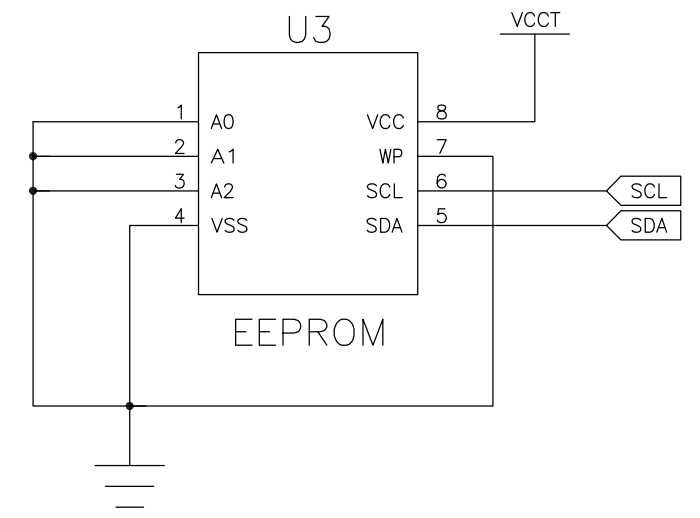
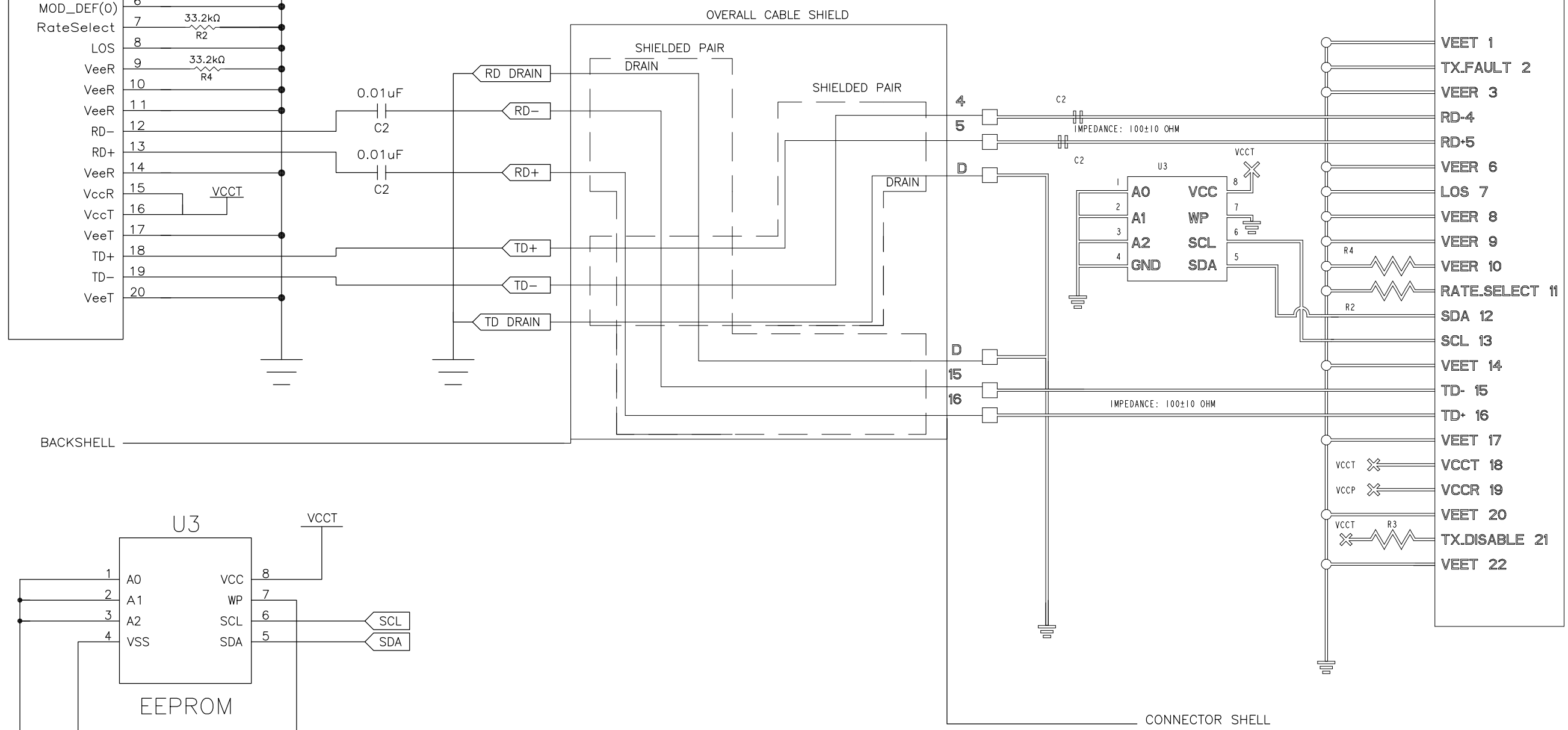
SFP+



WIRE DIAGRAM

CONNECTOR B

micro SFP+



THIS DRAWING IS A CONTROLLED DOCUMENT.

DIMENSIONS:	TOLERANCES UNLESS OTHERWISE SPECIFIED:
mm	0 PLC ± -
	1 PLC ± -
	2 PLC ± -
	3 PLC ± -
	4 PLC ± -
	ANGLES ± -
MATERIAL	FINISH
-	-

DWN	9SEP2014
WILL ZI	
CHK	-
Zhang, Finn	
APVD	-
Roel Lokven van	
PRODUCT SPEC	
APPLICATION SPEC	
WEIGHT	-

STE TE Connectivity

NAME: Micro SFP+ to SFP+

SIZE	CAGE CODE	DRAWING NO	RESTRICTED TO
A3	00779	C-2142970	-

CUSTOMER DRAWING SCALE 1:1 SHEET 2 OF 2 REV 5

Mouser Electronics

Authorized Distributor

Click to View Pricing, Inventory, Delivery & Lifecycle Information:

[TE Connectivity:](#)

[2142970-4](#)