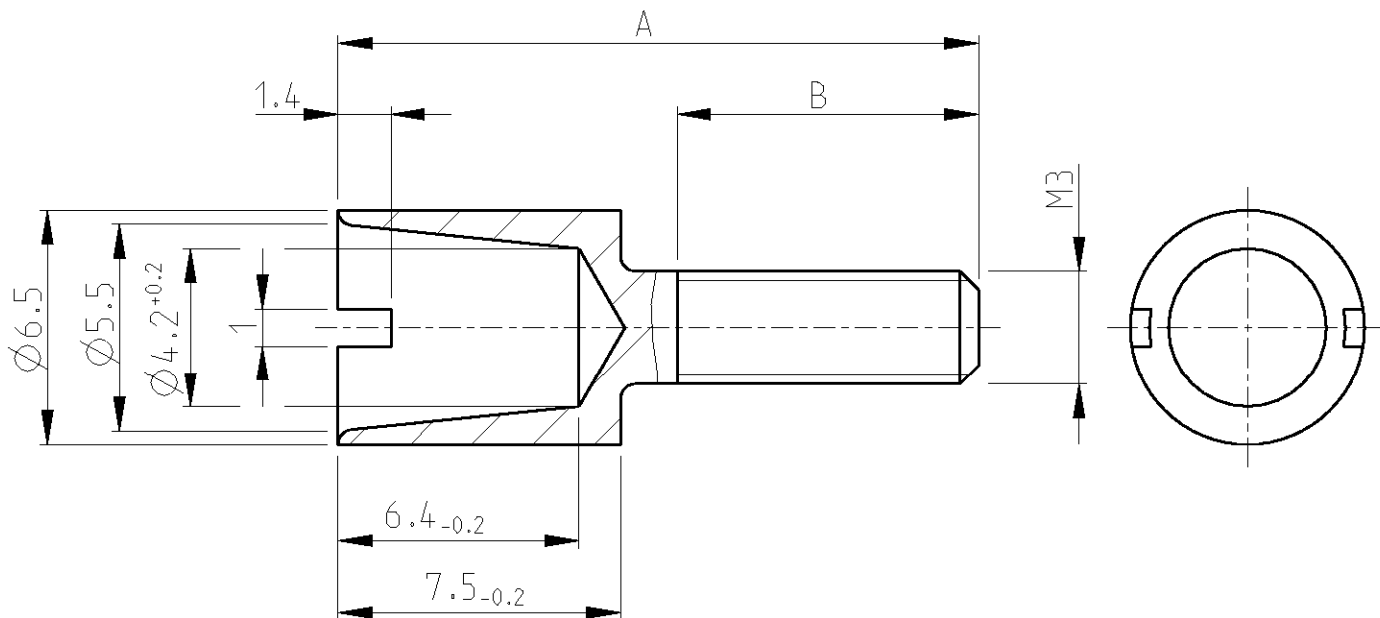


LOC	DIST	REVISIONS			
P	LTR	DESCRIPTION	DATE	DWN	APVD
A1	-	A1	NEW DRAWING PUBLISHED	04APR2007	ACK MS



1 MATERIAL: BRASS
SURFACE: NI OVER CU, GREASED

MATERIAL: MESSING
OBERFLÄCHE: NI ÜBER CU, GEFETTET

TYCO ORDER NUMBER	OLD PART NUMBER	DIM. A	DIM. B
2-1393565-0	C42334-A100-C55	17	8
2-1393565-1	C42334-A100-C56	19.5	8
2-1393565-2	C42334-A100-C57	23	10

2007

RELEASED FOR PUBLICATION

THIS DRAWING IS UNPUBLISHED.

BY TYCO ELECTRONICS CORPORATION. ALL RIGHTS RESERVED.

© COPYRIGHT 2007

DIMENSIONS: MM	DWN G. ACKERMANN 04APR2007	MATERIAL	FINISH
	CHK N. GEISTER 05APR2007		
TOLERANCES UNLESS OTHERWISE SPECIFIED:	APVD M. SCHAARSCHMIDT -	tyco Electronics tyco Electronics AMP GmbH D - 67346 Speyer	
	0 PLC ±0.2 1 PLC ±0.2 2 PLC ±0.2 3 PLC ± 4 PLC ± ANGLES ±°		
	APPLICATION SPEC -	SIZE A 4	CAGE CODE 00779
	WEIGHT -	DRAWING NO C=2-1393565-0	RESTRICTED TO -
CUSTOMER DRAWING		SCALE 5:1	SHEET 1 OF 1 REV A1

Mouser Electronics

Authorized Distributor

Click to View Pricing, Inventory, Delivery & Lifecycle Information:

[TE Connectivity:](#)

[2-1393565-1](#)