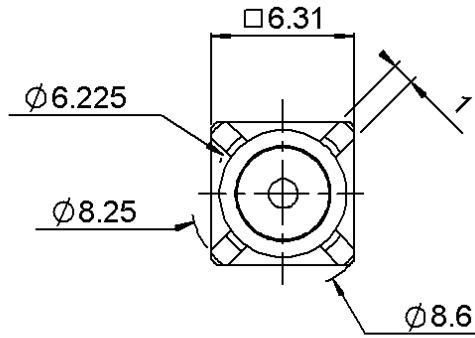


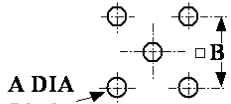
EMBASE A PLATINE POUR CI

**R123.426.003**

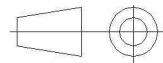
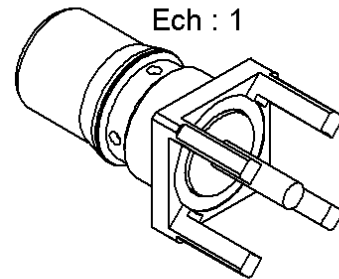
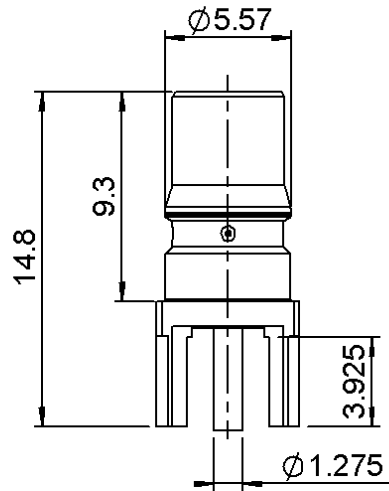
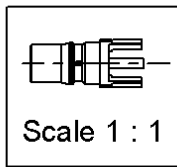
Series : QMA



PANEL CUT OUT



|   | mm   |      |
|---|------|------|
|   | Maxi | mini |
| A | 1.7  | 1.6  |
| B | 5.13 | 5.03 |



All dimensions are in mm.

| COMPONENTS     | MATERIALS        | PLATING (µm) |
|----------------|------------------|--------------|
| BODY           | BRASS            | NPGR         |
| CENTER CONTACT | BERYLLIUM COPPER | NPGR         |
| OUTER CONTACT  | -                | -            |
| INSULATOR      | PTFE             | -            |
| GASKET         | -                | -            |
| OTHERS PARTS   | -                | -            |
| -              | -                | -            |
| -              | -                | -            |

Issue : 0923 D

In the effort to improve our products, we reserve the right to make changes judged to be necessary.



**EMBASE A PLATINE POUR CI**

**R123.426.003**

Series : QMA

**PACKAGING**

**SPECIFICATION**

| Standard   | Unit              | Other             |
|------------|-------------------|-------------------|
| <b>100</b> | <b>'W' option</b> | <b>Contact us</b> |

**ELECTRICAL CHARACTERISTICS**

**ENVIRONMENTAL**

|                                 |                      |                          |
|---------------------------------|----------------------|--------------------------|
| Impedance                       | <b>50</b>            | $\Omega$                 |
| Frequency                       | <b>0-6</b>           | GHz                      |
| VSWR                            | <b>1.15 + 0,0000</b> | x F(GHz) Maxi            |
| Insertion loss                  | <b>0.05</b>          | $\sqrt{F}$ (GHz) dB Maxi |
| RF leakage                      | - ( <b>80</b> )      | - F(GHz)) dB Maxi        |
| Voltage rating                  | <b>500</b>           | Veff Maxi                |
| Dielectric withstanding voltage | <b>1000</b>          | Veff mini                |
| Insulation resistance           | <b>5000</b>          | M $\Omega$ mini          |

|                       |                 |              |
|-----------------------|-----------------|--------------|
| Operating temperature | <b>-40/+105</b> | $^{\circ}$ C |
| Hermetic seal         | <b>NA</b>       | Atm.cm3/s    |
| Panel leakage         | <b>NA</b>       |              |

**OTHER CHARACTERISTICS**

Assembly instruction **NA**

Others :

Intermod.: -120dBc at 1.8GHz(2 x 20W)  
RF leakage: Interf. only:  $3 < F < 6$ GHz: >70dB

**MECHANICAL CHARACTERISTICS**

|                            |               |             |
|----------------------------|---------------|-------------|
| Center contact retention   |               |             |
| Axial force – Mating end   | <b>27</b>     | N mini      |
| Axial force – Opposite end | <b>27</b>     | N mini      |
| Torque                     | <b>2.8</b>    | N.cm mini   |
| Recommended torque         |               |             |
| Mating                     | <b>NA</b>     | N.cm        |
| Panel nut                  | <b>NA</b>     | N.cm        |
| Mating life                | <b>100</b>    | Cycles mini |
| Weight                     | <b>1,4000</b> | g           |

Issue : 0923 D

In the effort to improve our products, we reserve the right to make changes judged to be necessary.



# Mouser Electronics

Authorized Distributor

Click to View Pricing, Inventory, Delivery & Lifecycle Information:

Radial:

[R123426003](#)