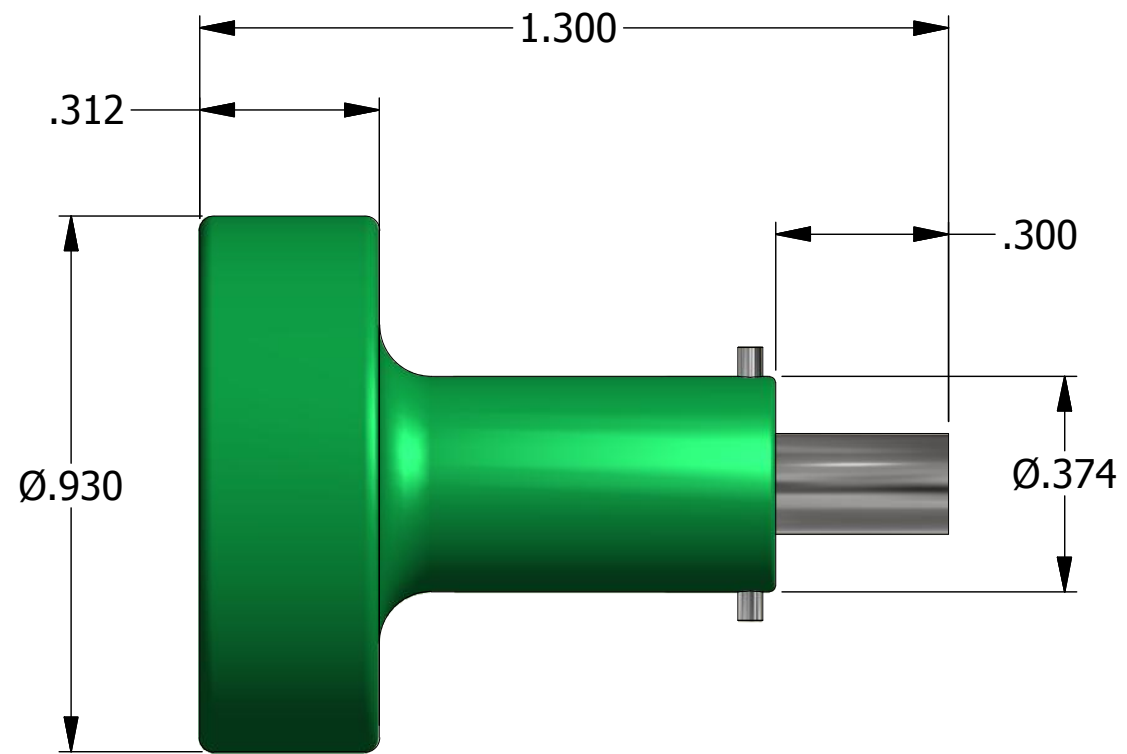
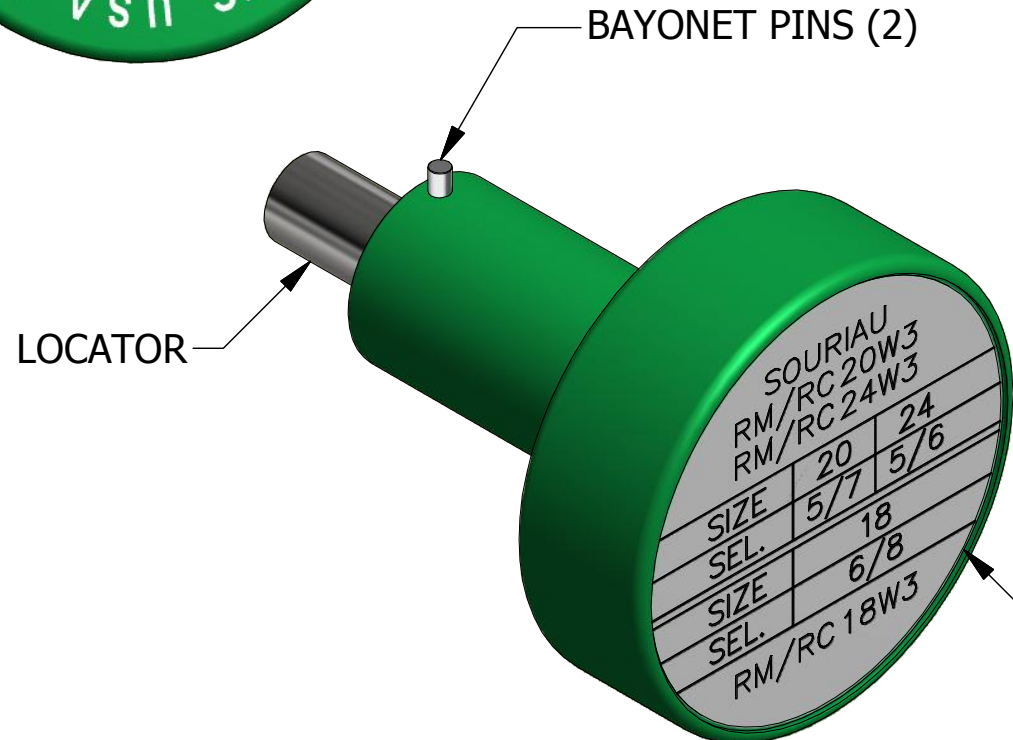


REVISIONS						
REV	ECO NO.	DESCRIPTION	BY	DATE	APP'D BY	DATE
1		ORIGINAL RELEASE	JWJ	5/4/2005	RRR	5/4/2005
2	23854	DATAPLATE UPDATED ADDED SEL. SETTING TABLE	TonyD	5/29/2015	RRR	6/1/2015



LOCATOR	
HOLE DIMENSIONS	ADDITIONAL FEATURES
Ø.045 ▽THRU	└┐Ø.120 ▽.616

SELECTOR SETTINGS		
CONTACT	WIRE SIZE	SEL. No.
RM/RC24W3	26	5
	24	6
RM/RC20W3	22	5
	20	7
RM/RC18W3	20	6
	18	8



SOURIAU		
RM/RC 20W3		
RM/RC 24W3		
SIZE	20	24
SEL.	5/7	5/6
SIZE	18	
SEL.	6/8	
RM/RC 18W3		

**UNCONTROLLED DOCUMENT
WILL NOT BE UPDATED**
DIMENSIONS IN INCHES - UNLESS OTHERWISE SPECIFIED

MATERIAL	ITEM	PART NO.	QTY.	DESCRIPTION / REMARKS
N/A	DRN. J. JOYCE CHK'D.	DATE 5/4/2005 DATE		DMC DANIELS MANUFACTURING CORP. ORLANDO, FLORIDA CAGE 11851
RESTRICTED & CONFIDENTIAL CONFIDENTIAL PROPERTY OF DANIELS MANUFACTURING CORP. NOT TO BE DISCLOSED TO OTHERS. REPRODUCTION OR USED FOR ANY OTHER PURPOSE EXCEPT AS AUTHORIZED IN WRITING BY DANIELS MANUFACTURING. MUST BE RETURNED TO DANIELS MANUFACTURING CORP. ON COMPLETION OF ORDER OR PURPOSES FOR WHICH LENT.	HEAT TREAT	N/A		TITLE POSITIONER ENVELOPE DRAWING WHERE USED: MH860
CREATED FROM AN INVENTOR MODEL. CHANGES MUST BE REFLECTED IN THE 3D PART	FINISH	N/A		SIZE B SCALE 3:1 CAD P/N 86-301-ENV SHEET 1 OF 1 DWG. NO. 86-301 REV. 2
DO NOT SCALE DRAWING				NOTE: THIS DRAWING IS AN OUTLINE DRAWING OF THE RESPECTIVE DMC PART NUMBER INDICATED. ACTUAL DMC PART NUMBER IS CAD PART NUMBER WITHOUT THE "-ENV" SUFFIX

Mouser Electronics

Authorized Distributor

Click to View Pricing, Inventory, Delivery & Lifecycle Information:

[Daniels Manufacturing:](#)

[86-301](#)