



Film Capacitors – Power Electronic Capacitors

MKP DC-LSI

Series/Type:
Ordering code: B25631*
Date: October 2013
Version: 1

© EPCOS AG 2015. Reproduction, publication and dissemination of this publication, enclosures hereto and the information contained therein without EPCOS' prior express consent is prohibited.

EPCOS AG is a TDK Group Company.

MKP DC-LSI
Construction and general data

Characteristics	
Capacitance tolerance	K: $\pm 10\%$
$\tan \delta_o$	$2 \cdot 10^{-4}$
Θ_{stg}	$-55 \dots +85 \text{ }^\circ\text{C}$
$t_{LD (co)}$	100 000 h
Fit rate	300
Minimum temperature $\Theta_{min.}$	$-55 \text{ }^\circ\text{C}$
Maximum temperature $\Theta_{max.}$	$+70 \text{ }^\circ\text{C}$
Storage temperature Θ_{stg}	$-55 \dots +85 \text{ }^\circ\text{C}$
Maximum hotspot temperature Θ_{hs}	$+75 \text{ }^\circ\text{C}$
Maximum hotspot temperature Θ_{hs} for 100 000 h expected lifetime	$+65 \text{ }^\circ\text{C}$
Climatic category	55/70/56
Maximum altitude	2000 m above sea level (derating curves available upon request)

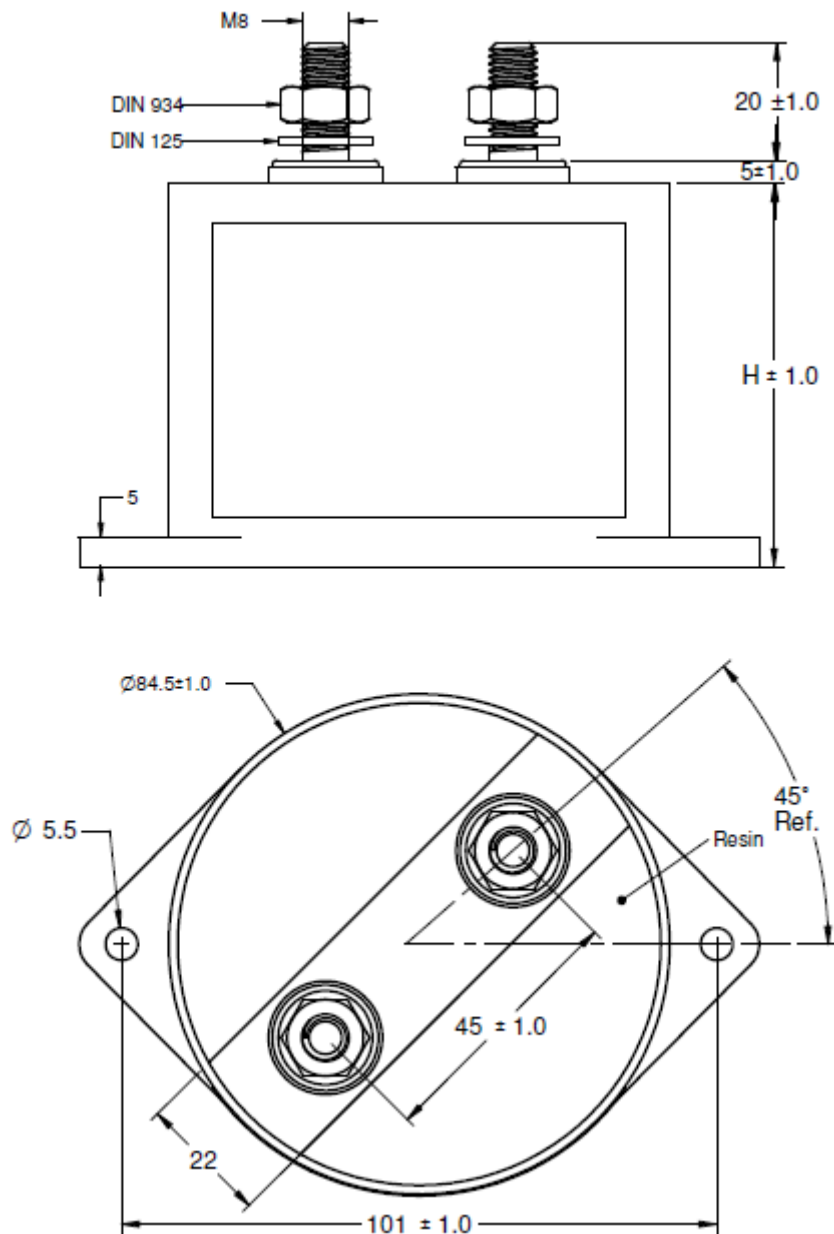
Test data	
Voltage between terminals V_{TT}	$1.5 \cdot V_N, 10 \text{ s}$
Voltage between terminals and aluminum can V_{TC}	$2 V_i + 1000 \text{ V}, 10 \text{ s}$
Dissipation factor $\tan \delta$ (100 Hz)	$\leq 1.0 \times 10^{-3}$
Life test	According to IEC 61071
Cooling	Naturally air-cooled (or forced air cooling)
Degree of protection	Indoor mounting

Design data	
Impregnation	Resin filling: Non PCB, hard polyurethane (Dry type)
Mounting	Lateral brackets
Max. torque terminal	8 Nm

Reference standards	
IEC 61071	
RoHS compliance	
UL 94 V0	

Metallized polypropylene film capacitors – Plastic case for general purpose applications

B2563X
Male M8 terminals



Lateral brackets for fixing are standard for all types.

Terms and Definitions

The following definitions apply to power capacitors according to IEC 61071.

Rated capacitance C_R

Nominal value of the capacitance at 20 °C and measuring frequency range of 50 to 120 Hz.

Rated DC voltage V_R

Maximum operating peak voltage of either polarity but of a non-reversing type wave form, for which the capacitor has been designed, for continuous operation.

Ripple voltage V_r

Peak-to-peak alternating component of the unidirectional voltage.

Maximum surge voltage V_s

Peak voltage induced by a switching or any other disturbance of the system which is allowed for a limited number of times and duration.

- Maximum duration: 50 ms / pulse

- Maximum number of occurrences: 1000 (during load)

Insulation voltage V_i

Rms rated value of the insulation voltage of capacitive elements and terminals to case or earth. When it is not specified in the product data sheet, the insulation voltage is at least:

$$V_i = \frac{V_R}{\sqrt{2}}$$

Maximum rate of voltage rise $(dv/dt)_{\max}$

Maximum permissible repetitive rate of voltage rise of the operational voltage.

Maximum current I_{\max}

Maximum rms current for continuous operation.

Maximum peak current \hat{I}_{pk}

Maximum permissible repetitive current amplitude during continuous operation.

Maximum peak current (\hat{I}_{pk}) and maximum rate of voltage rise $(dv/dt)_{\max}$ on a capacitor are related as follows:

$$\hat{I}_{pk} = C \cdot (dv/dt)_{\max}$$

Maximum surge current \hat{I}_s

Admissible peak current induced by a switching or any other disturbance of the system which is allowed for a limited number of times (1000 times) and duration (50 ms / pulse).

$$\hat{I}_s = C \cdot (dv/dt)_s$$

Ambient temperature Θ_A

Temperature of the surrounding air, measured at 10 cm distance and 2/3 of the case height of the capacitor.

Lowest operating temperature Θ_{\min}

Lowest permitted ambient temperature at which a capacitor may be energized.

Maximum operating temperature Θ_{\max}

Highest permitted ambient temperature at which a capacitor may be energized.

Hot-spot temperature Θ_{hs}

Temperature zone inside of the capacitor at hottest spot.

Temperature hot-spot / ambient $\Delta\Theta$

Temperature difference between the hottest spot in the capacitor Θ_{hs} and the ambient temperature Θ_{A} .

Tangent of the loss angle of the dielectric $\tan \delta_0$

The loss factor of the dielectric (polypropylene) represents the portion of the losses in the process of polarization/depolarization of the dielectric. It is considered constant in the whole operational frequency range of the capacitor.

Tangent of the loss angle of a capacitor $\tan \delta$

Ratio between the equivalent series resistance and the capacitive reactance of a capacitor at a specified sinusoidal alternating voltage, frequency and temperature.

Series resistance R_s

The sum of all Ohmic resistances occurring inside the capacitor. It is largely independent of frequency.

Thermal resistance R_{th}

The thermal resistance indicates by how many degrees the capacitor temperature at the hot spot rises in relation to the dissipation losses.

Maximum power loss P_{\max}

Maximum permissible power dissipation for the capacitor's operation.

$$P_{\max} = \frac{\Theta_{\text{hs}} - \Theta_{\text{A}}}{R_{\text{th}}} = \frac{\Delta\Theta}{R_{\text{th}}}$$

Self inductance L_{self}

The sum of all inductive elements which are contained in a capacitor.

Resonance frequency f_r

The lowest frequency at which the impedance of the capacitor becomes minimum.

$$f_r = \frac{1}{2\pi \cdot \sqrt{L_{\text{self}} \cdot C_N}}$$

General Technical Information

Application:

The MKP DC LSI series is designed for DC-Link applications with low self inductance. Some typical examples of DC-Link applications are as follows: converters, frequency drives, power conversion, uninterruptible power supplies, transportation, wind power, solar power, power distribution, etc.

Expected Lifetime:

The expected lifetime for typical operation is 100.000h at 65°C of hot spot temperature Θ_{hs} .

Creepage and clearance distances:

Diameter (mm)	Distance between terminals (mm)	Terminal to Terminal	
		Creepage (mm)	Clearance (mm)
85	45	35.5	28.5

Specification table and ordering codes

V_{DC}	C	I_{max}	\hat{I}_{pk}	\hat{I}_S	R_S	L_{self}	R_{th}	H	D	Ordering code
	μF	A	kA	kA	m Ω	nH	K / W	mm	mm	
500	400	60	4.8	14.4	1.0	30	5.8	65	85	B25631S0407K500
600	200	55	4.2	12.5	0.9	20	7.5	50	85	B25631A0207K600
	220	65	3.0	9.2	1.2	30	5.8	65	85	B25631S0227K600
	280	65	3.9	11.5	1.1	30	5.8	65	85	B25631A0287K600
700	150	55	3.6	10.8	0.9	20	7.5	50	85	B25631A0157K700
	220	65	3.5	10.4	1.2	30	5.8	65	85	B25631A0227K700
800	120	55	3.3	9.7	1.0	20	7.5	50	85	B25631A0127K800
	180	65	2.1	6.4	1.5	30	5.8	65	85	B25631A0187K800
900	100	55	3.0	9.0	1.0	20	7.5	50	85	B25631A0107K900
	140	60	2.8	8.3	1.3	30	5.8	65	85	B25631A0147K900
1000	75	50	2.7	8.0	1.0	20	7.5	50	85	B25631A1756K000
	110	60	2.6	7.8	1.3	30	5.8	65	85	B25631A1117K000
1100	70	50	2.4	7.5	1.0	20	7.5	50	85	B25631A1706K100
	100	60	2.4	7.0	1.4	30	5.8	65	85	B25631A1107K100
	150	50	3.5	10.6	1.1	30	5.8	65	85	B25631B1157K100
1200	50	50	2.0	6.3	1.1	20	7.5	50	85	B25631A1506K200
	80	60	1.7	4.9	1.7	30	5.8	65	85	B25631A1806K200

Display of ordering codes for EPCOS products

The ordering code for one and the same product can be represented differently in data sheets, data books, other publications and the website of EPCOS, or in order-related documents such as shipping notes, order confirmations and product labels.

The varying representations of the ordering codes are due to different processes employed and do not affect the specifications of the respective products. Detailed information can be found on the Internet under

www.epcos.com/orderingcodes

Cautions and warnings

- In case of dents of more than 1 mm depth or any other mechanical damage, capacitors must not be used at all.
- Check tightness of the connections/terminals periodically.
- The energy stored in capacitors may be lethal. To prevent any chance of shock, discharge and short-circuit the capacitor before handling.
- Failure to follow cautions may result, worst case, in premature failures, bursting and fire.
- EPCOS AG is not responsible for any kind of possible damages to persons or things due to improper installation and application of capacitors for power electronics.

Safety

- Electrical or mechanical misapplication of capacitors may be hazardous. Personal injury or property damage may result from bursting of the capacitor or from expulsion of oil or melted material due to mechanical disruption of the capacitor.
- Ensure good, effective grounding for capacitor enclosures.
- Observe appropriate safety precautions during operation (self-recharging phenomena and the high energy contained in capacitors).
- Handle capacitors carefully, because they may still be charged even after disconnection.
- The terminals of capacitors, connected bus bars and cables as well as other devices may also be energized.
- Follow good engineering practice.

Thermal load

After installation of the capacitor it is necessary to verify that maximum hot-spot temperature is not exceeded at extreme service conditions.

Mechanical protection

The capacitor has to be installed in a way that mechanical damages and dents in the aluminum can are avoided.

Storage and operating conditions

Do not use or store capacitors in corrosive atmosphere, especially where chloride gas, sulfide gas, acid, alkali, salt or the like are present. In dusty environments regular maintenance and cleaning especially of the terminals is required to avoid conductive path between phases and/or phases and ground.

The maximum storage temperature is 85 °C.

Service life expectancy

Electrical components do not have an unlimited service life expectancy; this applies to self-healing capacitors, too. The maximum service life expectancy may vary depending on the application the capacitor is used in.

Important notes

The following applies to all products named in this publication:

1. Some parts of this publication contain **statements about the suitability of our products for certain areas of application**. These statements are based on our knowledge of typical requirements that are often placed on our products in the areas of application concerned. We nevertheless expressly point out **that such statements cannot be regarded as binding statements about the suitability of our products for a particular customer application**. As a rule, EPCOS is either unfamiliar with individual customer applications or less familiar with them than the customers themselves. For these reasons, it is always ultimately incumbent on the customer to check and decide whether an EPCOS product with the properties described in the product specification is suitable for use in a particular customer application.
2. We also point out that **in individual cases, a malfunction of electronic components or failure before the end of their usual service life cannot be completely ruled out in the current state of the art, even if they are operated as specified**. In customer applications requiring a very high level of operational safety and especially in customer applications in which the malfunction or failure of an electronic component could endanger human life or health (e.g. in accident prevention or life-saving systems), it must therefore be ensured by means of suitable design of the customer application or other action taken by the customer (e.g. installation of protective circuitry or redundancy) that no injury or damage is sustained by third parties in the event of malfunction or failure of an electronic component.
3. **The warnings, cautions and product-specific notes must be observed.**
4. In order to satisfy certain technical requirements, **some of the products described in this publication may contain substances subject to restrictions in certain jurisdictions (e.g. because they are classed as hazardous)**. Useful information on this will be found in our Material Data Sheets on the Internet (www.epcos.com/material). Should you have any more detailed questions, please contact our sales offices.
5. We constantly strive to improve our products. Consequently, **the products described in this publication may change from time to time**. The same is true of the corresponding product specifications. Please check therefore to what extent product descriptions and specifications contained in this publication are still applicable before or when you place an order. We also **reserve the right to discontinue production and delivery of products**. Consequently, we cannot guarantee that all products named in this publication will always be available. The aforementioned does not apply in the case of individual agreements deviating from the foregoing for customer-specific products.
6. Unless otherwise agreed in individual contracts, **all orders are subject to the current version of the "General Terms of Delivery for Products and Services in the Electrical Industry" published by the German Electrical and Electronics Industry Association (ZVEI)**.
7. The trade names EPCOS, BAOKE, Alu-X, CeraDiode, CeraLink, CeraPlas, CSMP, CSSP, CTVS, DeltaCap, DigiSiMic, DSSP, FilterCap, FormFit, MiniBlue, MiniCell, MKD, MKK, MLSC, MotorCap, PCC, PhaseCap, PhaseCube, PhaseMod, PhiCap, SIFERRIT, SIFI, SIKOREL, SilverCap, SIMDAD, SiMic, SIMID, SineFormer, SIOV, SIP5D, SIP5K, ThermoFuse, WindCap are **trademarks registered or pending** in Europe and in other countries. Further information will be found on the Internet at www.epcos.com/trademarks.

Mouser Electronics

Authorized Distributor

Click to View Pricing, Inventory, Delivery & Lifecycle Information:

EPCOS / TDK:

[B25631A0287K600](#) [B25631A0157K700](#) [B25631A0107K900](#) [B25631A1706K100](#) [B25631A0187K800](#)
[B25631S0227K600](#) [B25631A0147K900](#) [B25631A1756K000](#) [B25631A1107K100](#) [B25631A0207K600](#)
[B25631A0227K700](#) [B25631A0127K800](#) [B25631A1117K000](#) [B25631S0407K500](#) [B25631B1157K100](#)
[B25631A1806K200](#) [B25631A1506K200](#) [B25631A1117K](#)