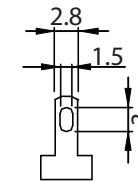
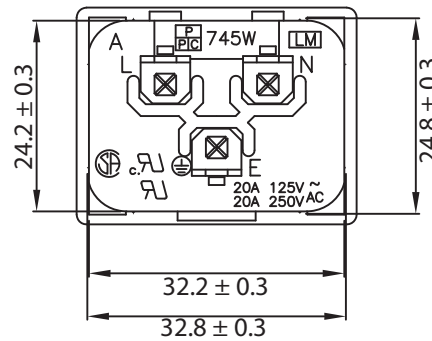
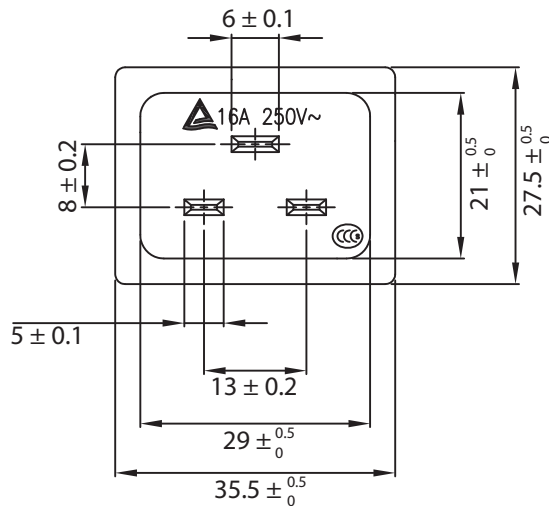
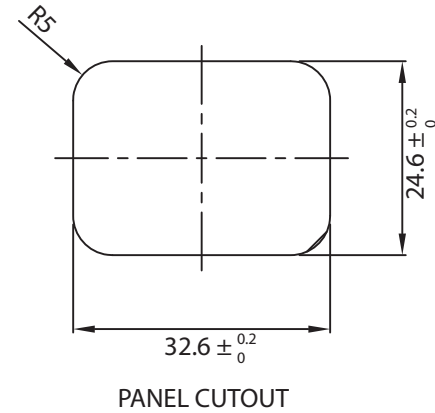
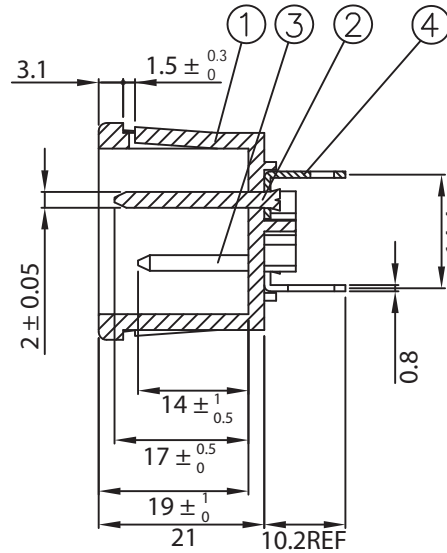
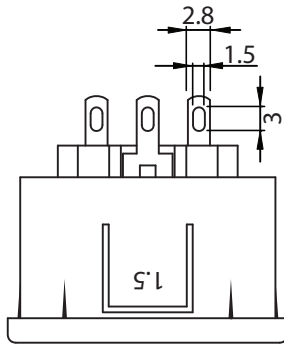


THESE DRAWINGS ARE THE PROPERTY OF QUALTEK ELECTRONICS AND NOT TO BE REPRODUCED FOR OR COMMUNICATED TO A THIRD PARTY WITHOUT THE EXPRESS WRITTEN PERMISSION OF AN OFFICER OF QUALTEK ELECTRONICS.

REVISION			
REV.	DESCRIPTION	DATE	APPROVED
B	RoHS Compliancy	06-01-06	DP
C	Updated Approvals	10-15-08	LY
D	Updated Approvals and Terminal Material	11-27-18	LY



**CONTROLLED**

NOTES:

RATING:

UL, CSA: 20A 250V AC / 20A 125VAC

TUV, CCC: 16A 250V AC

APPROVALS: UL, CSA, TUV, CCC

PANEL THICKNESS: 1.5mm

IEC 60320 C20

RoHS COMPLIANT

4	Soldering PIN Brass Strip t=0.8mm, w=2.8mm Tin-Plated	3
3	Contact PIN Brass Strip t=2mm Ni-Plated	2
2	Contact PIN Brass Strip t=2mm Ni-Plated	1
1	Body Insulator PC Black Color	1

Dim range (mm)	Tolerance +/- (mm)	Qualtek Electronics Corp. PPC DIVISION		
		Part Number:	745W-15/05	RoHS Compliant
0-1	0.15	Description: AC RECEPTACLE		
1-6	0.20			
6-18	0.30		UNIT: mm	REV. D
18-50	0.50			
50-120	0.70	Drawn / Date	Checked / Date	Approved / Date
120-250	0.90	B.Zhang 04-22-02	04-22-02	JJH / 04-22-02
250-500	1.20			

# Mouser Electronics

Authorized Distributor

Click to View Pricing, Inventory, Delivery & Lifecycle Information:

[Qualtek:](#)

[745W-15/05](#)