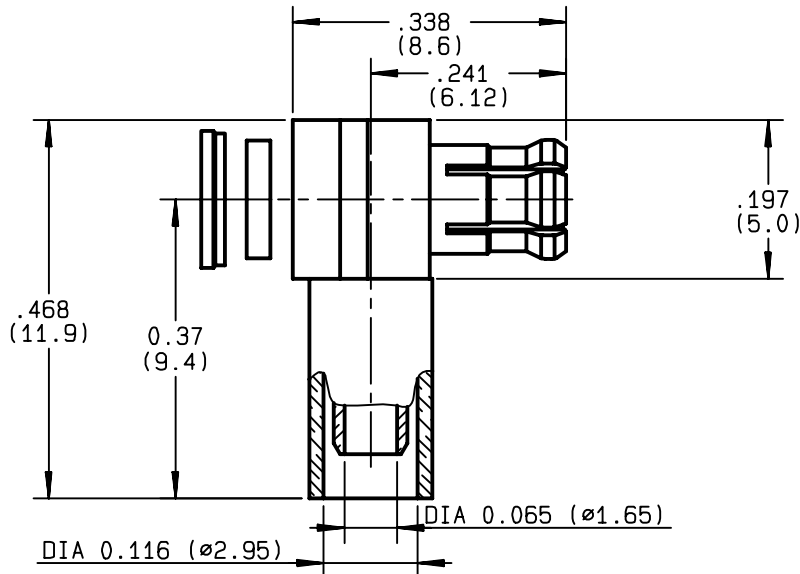


**RIGHT ANGLE PLUG CRIMP TYPE  
CABLE 2.6/50 S**

**R113.182.000**  
**SERIES MCX**



NOMINAL IMPEDANCE	<b>50</b> Ω	CABLES : <b>KX 22A</b>
FREQUENCY RANGE	<b>0-6</b> GHz	<b>RG 188</b>
TEMPERATURE RATING	<b>-55/+155</b> °C	<b>RG 316</b>
V.S.W.R	<b>1.10 + .075 x F(GHz)Maxi</b>	
RF INSERTION LOSS	<b>0.5 √F(GHz) dB Maxi</b>	
VOLTAGE RATING	<b>170</b> Veff Maxi	
DIELECTRIC WITHSTANDING VOLTAGE	<b>500</b> Veff Mini	
INSULATION RESISTANCE	<b>1000</b> MΩMini	OTHERS CHARACTERISTICS
HERMETIC SEAL	<b>NA</b> Atm.cm <sup>3</sup> /s	CABLE RETENTION <b>53</b> N Mini
LEAKAGE (pressurized only)	<b>NA</b>	CENTER CONTACT RETENTION
MECHANICAL DURABILITY	<b>500</b> Cycles	Axial force - mating end <b>10</b> N Mini
WEIGHT	<b>.7</b> gr	Axial force - opposite end <b>10</b> N Mini
SPECIFICATION		Torque <b>NA</b> cm.N Mini
		RECOMMENDED TORQUES
		Mating <b>NA</b> cm.N
		Panel nut <b>NA</b> cm.N
		Clamp nut <b>NA</b> cm.N

CONNECTOR PARTS	MATERIALS	FINISH	(all values are given ) in micrometers
BODY	BRASS	GOLD 0.2 OVER NICKEL 2	
OUTER CONTACT	BERYLLIUM COPPER	GOLD 0.5 OVER NICKEL 2	
CENTER CONTACT	BRASS	GOLD 1.3 OVER NICKEL 2	
INSULATOR	PTFE	-	
GASKET		-	
OTHERS PIECES			

ISSUE	CREATION DATE	FILE PART-NUMBER
<b>9925G00</b>	<b>30/08/1988</b>	



BAFFERT

The information given here is subject to change without notice.  
Design changes may be in order to improve the product .

*Connect to the future*

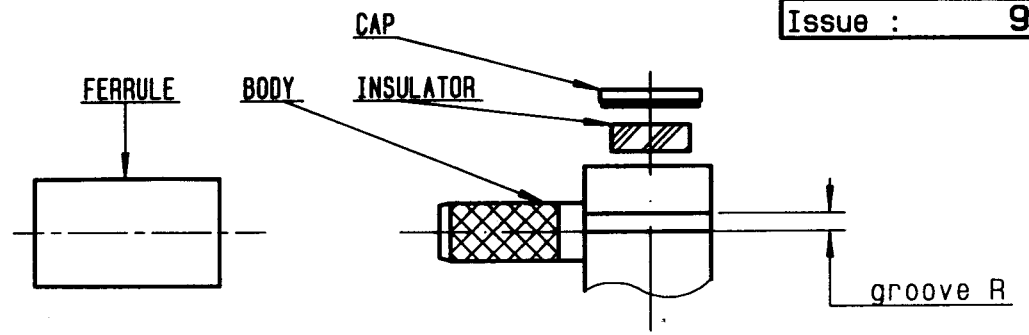
SERIE DTPA MCX



R113.182.000

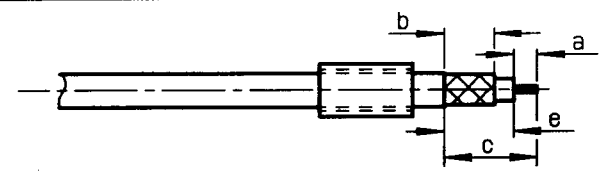
Issue : 9925

Page  
2 / 2



①

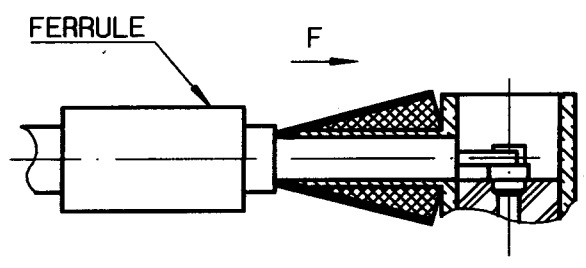
Slide onto the cable the ferrule .  
Strip the cable .  
Tin cable inner conductor .  
-



Stripping	a	b	c	d	e
inch	0.079	0.197	0.315	0	0.236
mm	2	5	8	-	6

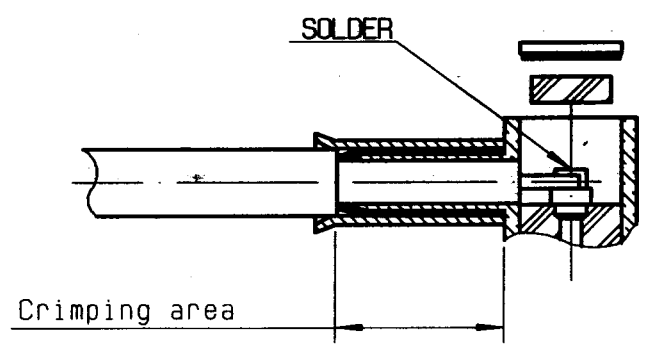
②

Fan the braid .  
Push connector body under the braid .  
Slide the ferrule on the braid  
( in direction F )  
-  
-  
-  
-



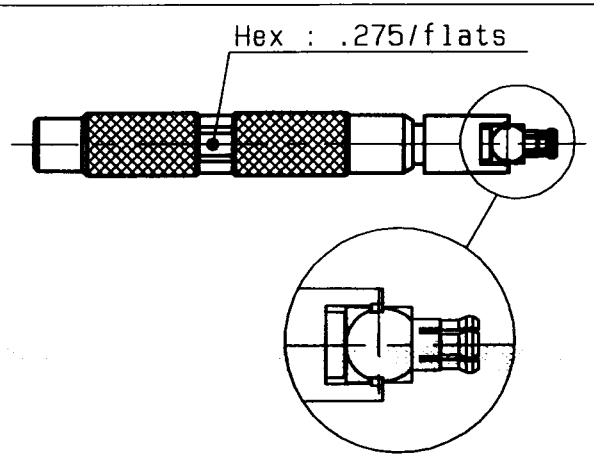
③

Crimp the ferrule with crimping tool R282 271 000 ( Hex. : .128) or crimping tool R 282 293 000 ( M22520/5-01 ) .  
+ dies R 282 235 003 ( M22520/5-03 )  
Solder inner conductor .  
Introduce the insulator into the body .  
Press fit the cap .



④

Slide mounting tool R282 868 onto the body grooves .  
Press fit the cap turning tool handle with adapted wrench .275(AF) (cap in the same plan than square face) .  
-  
-  
-  
-



4112 927

# Mouser Electronics

Authorized Distributor

Click to View Pricing, Inventory, Delivery & Lifecycle Information:

[Radial:](#)

[R113182000](#)