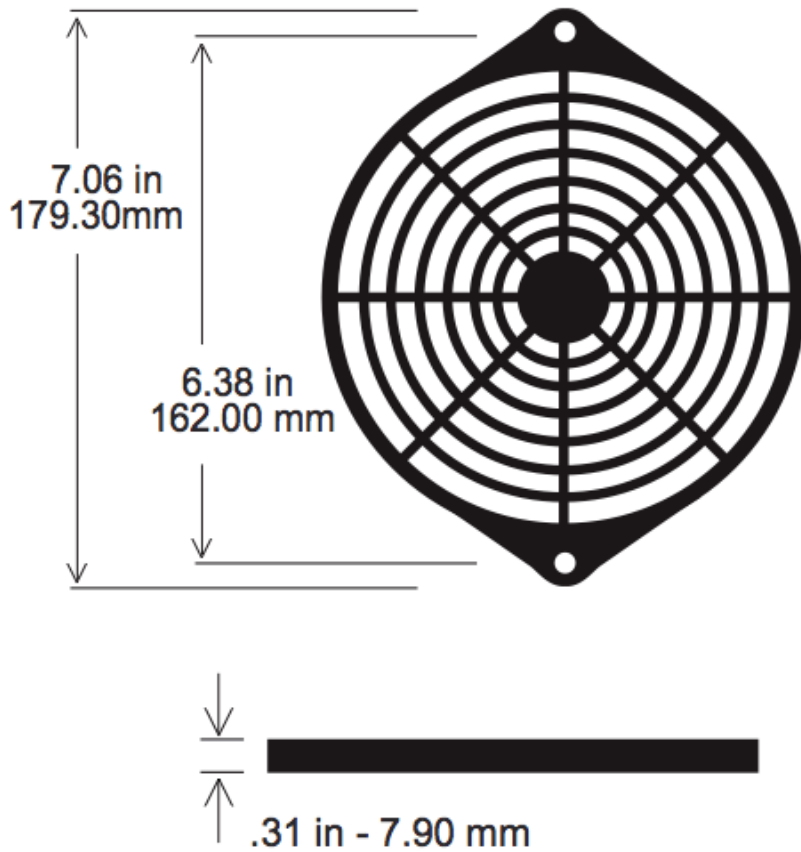


Part No. G172P



Plastic Fan Guard
for 172mm fans



Material

Plastic - reinforced ABS
UL approved
Rating UL94V-0

Part Number	Description
G172P	172mm fan guard, plastic
G172P/PK	10-Pack G172P, Boxed

Mouser Electronics

Authorized Distributor

Click to View Pricing, Inventory, Delivery & Lifecycle Information:

[Orion Fans:](#)

[G172P](#) [GRM172-30](#)