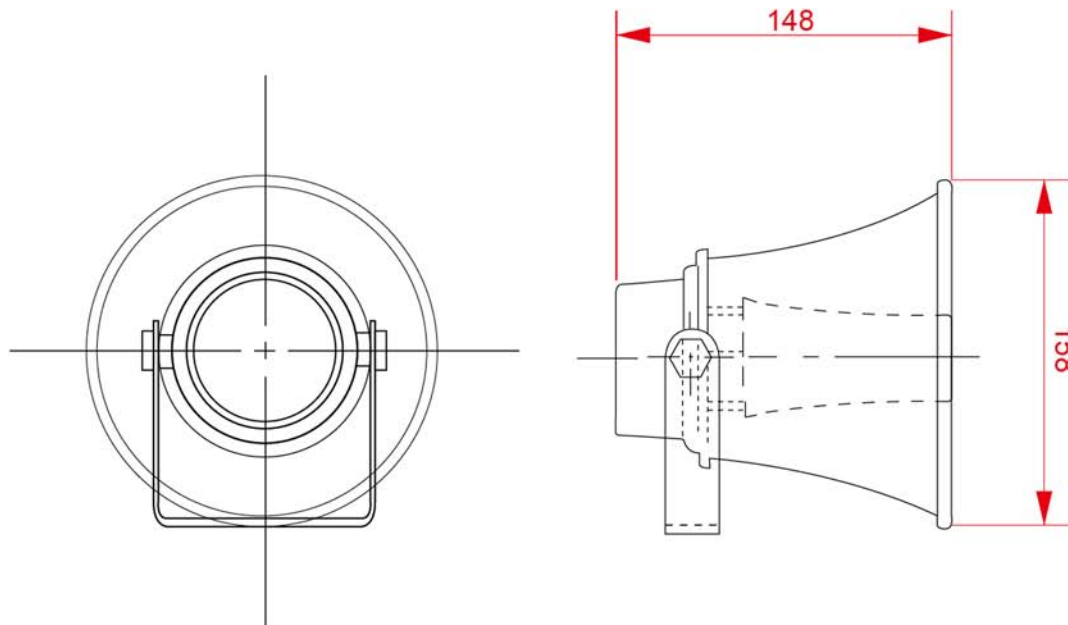


公稱輸入 NOMINAL INPUT POWER	15W
最大許可輸入 POWER HANDLING CAPACITY	20W
音圈阻抗 VOICE COIL IMPEDANCE	8Ω±15%
低域階振週率 RESONANT FREQUENCY	400 ~ 6000 Hz ± 20%Hz
輸出音壓 MEAN SOUND PRESSURE LEVEL	105 dB
使用磁鐵 MAGNET SIZE	70X32X10 (5.4oz)
磁束密度 FLUX DENSITY	10000 GAUSS
重 NET WEIGHT	920 g



Rev.	Date	Description	Remark
 YUBRIGHT CO., LTD.		P/N PA-60.0	
Title		ALUMINUM HORN SPEAKER	Dwg. No. PA60002
Date	20151118	Rev. A	RoHS <input checked="" type="checkbox"/>
File	SUT002	Drw. b37	App. b37
Unless otherwise specified, dimensions are in millimeters.			