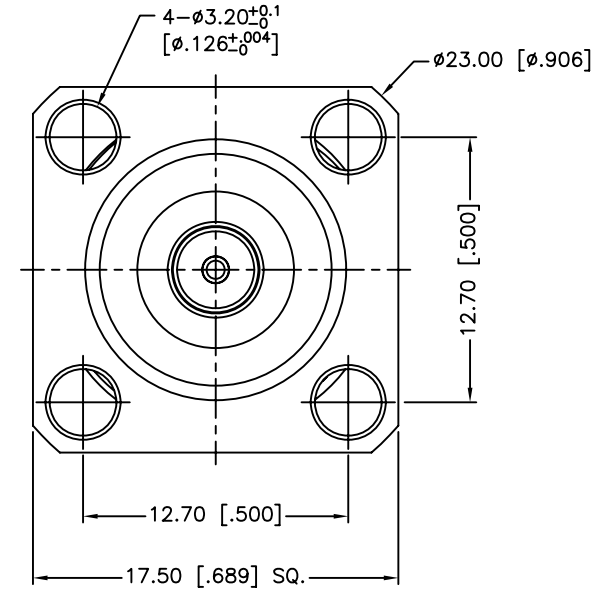
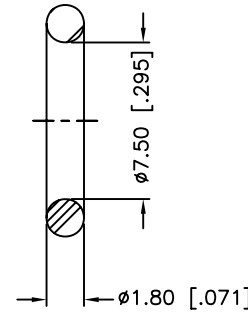
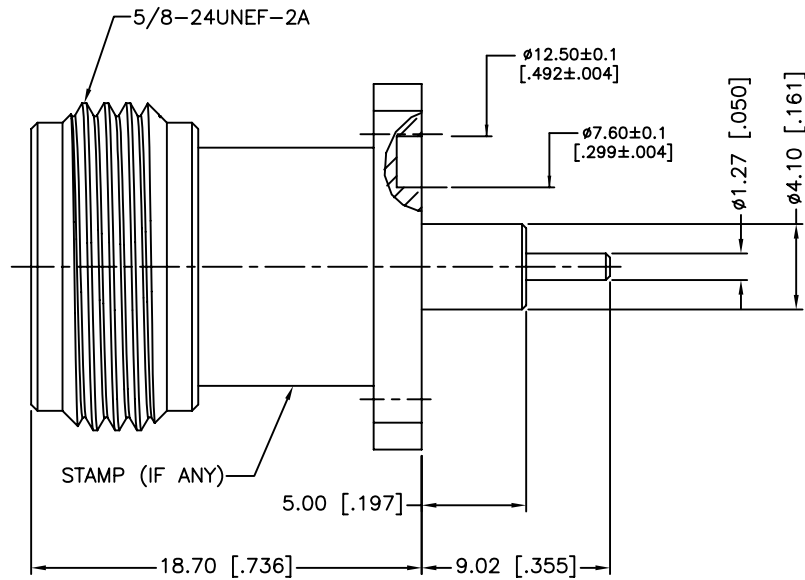


REV.	DATE	ECR NO.	DESCRIPTION
NC	10/05/04	XXXXXX	INITIAL RELEASE
A	10/07/04	XXXXXX	UPDATE DRAWING FORMAT
B	11/18/13	2660	UPDATE DRAWING FORMAT



1. IMPEDANCE: 50 OHM
2. FREQUENCY RANGE: 0-11 GHZ
3. DIELECTRIC WITHSTANDING VOLTAGE: 2500 VRMS, MIN.
4. DURABILITY: 500 CYCLES MIN.
5. TEMPERATURE RANGE: -65°C TO +165°C

UNLESS OTHERWISE SPECIFIED DIMENSIONS ARE IN MILLIMETERS. DIMENSIONS IN [ ] ARE IN INCHES AND FOR CUSTOMER REFERENCE ONLY.  
UNLESS OTHERWISE SPECIFIED  
TOLERANCES FOR MILLIMETERS ARE:  
<0.5  $\pm$  0.05mm  
0.5 - 6mm  $\pm$  0.10mm  
6 - 30mm  $\pm$  0.20mm  
30 - 120mm  $\pm$  0.30mm  
ANGLES  $\pm$  1°  
UNLESS OTHERWISE SPECIFIED  
TOLERANCES FOR INCHES ARE:  
<.020  $\pm$  0.002"  
.020 - .236 =  $\pm$  0.004"  
.236 - 1.180 =  $\pm$  0.007"  
1.180 - 4.724 =  $\pm$  0.012"  
ANGLES  $\pm$  1°

APPROVALS		DATE
DRAWN	M.ZHANG	11/18/13
CHECKED		
ISSUED		
SHEET	1 OF 1	
CAD FILE	C:/CONNEX/172117-28.DWG	

# Amphenol Connex

PART DESCRIPTION			
N PANEL RECEPTACLE JACK EXTENDED TEFLON (.197"/.355")			
PART NO.		172117-28	
DWG. NO.	172117-28.DWG	REV.	B
SIZE	A	SCALE	NA

QTY	FINISH	MATERIAL	DESCRIPTION
1	NEXCOTE	BRASS	BODY
1	NATURAL	PTFE	INSULATOR
1	GOLD	PHOSPHOR BRONZE	CONTACT PIN
1	NEXCOTE	BRASS	LOCK RING
1	RED	SILICONE RUBBER	GASKET

DO NOT SCALE DRAWING