

Sealed Tab Housings for Mixed 1.5 and 2.8 Contacts

**Technical Features**

**No. of Positions:**

62 Positions

**Housing Material:**

PBT-GF20

**Wire Size Range:**

AMP MCP 1.5 Tab  
1.5 mm<sup>2</sup> FLR Max.

AMP MCP 2.8 Tab  
2.5 mm<sup>2</sup> FLR Max.

**Extraction Tools:**

Part No. **1-1579007-1**

Part No. **1-1579007-2**

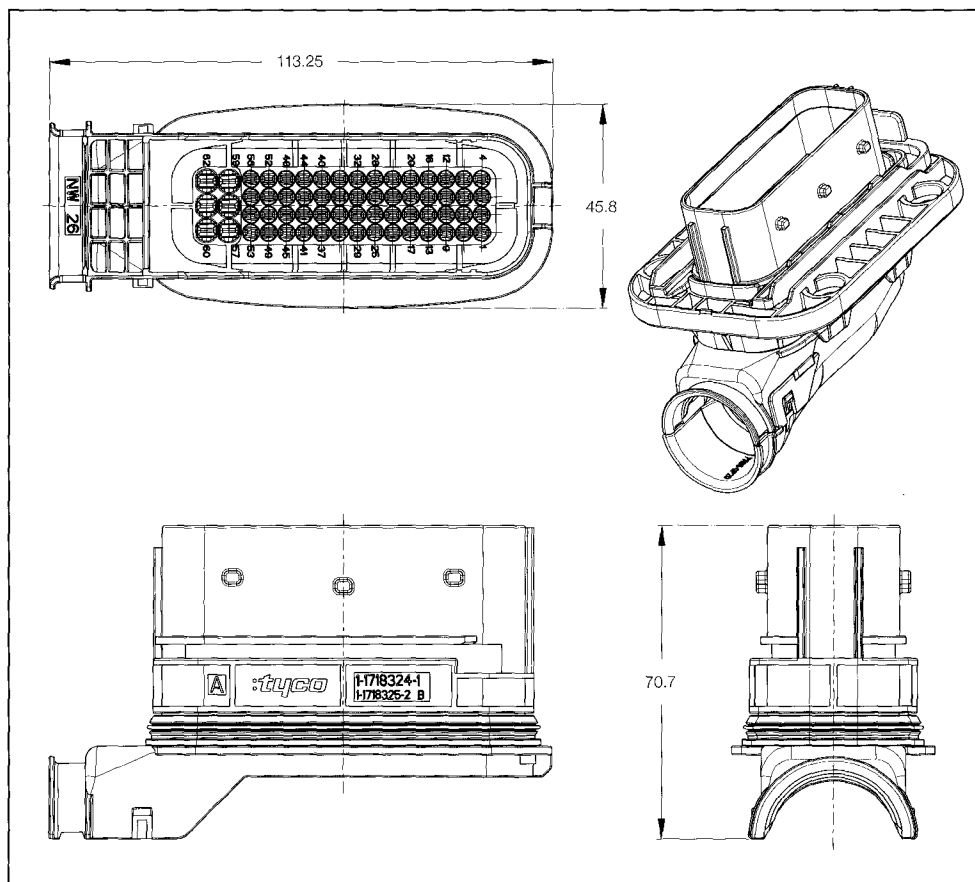
dependent on the contact

**Product Specification:**

108-18946

**Application Specification:**

114-18660



Sealed Tab Housings for Mixed 1.5 and 2.8 Contacts

No. of Positions	Keying Options	Housing Color	Part Numbers				Mating Receptacle Housing
			Tab Housing	Cover	Adapter	Locking Slide	
62	A	Black	1-1718324-1				1-1418883-1
	B	Grey	2-1718324-1	1418882-1	1718329-1	1718328-1	2-1418883-1
	C	Blue	-				3-1418883-1