

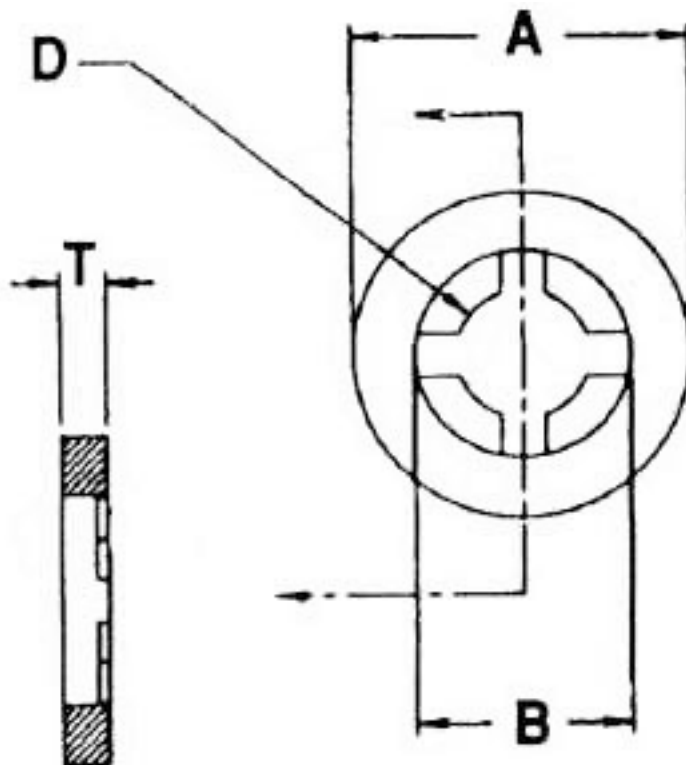


[Catalog:](#)

[Washers, Shoulder Washers, Screw Insulators, and Spacers:](#)

[Nylon Retaining Washers](#)

[Quick Search: Washers/Spacers](#)



Similar to our standard flat washers, but with a specially configured I.D. designed to grip the outside of the screw shank. The washer slides on the screw easily, but is retained on the screw. For use in applications requiring pre-assembly of the screw and washer, to reduce final assembly cost. Other sizes will be tooled on request.

Item Number	Description	A	B	D	T
16FWRT002032	FWRT 2-032	0.203	0.115	0.078	0.032
16FWRT002062	FWRT 2-062	0.203	0.115	0.078	0.062
16FWRT004032	FWRT 4-032	0.266	0.156	0.102	0.032
16FWRT004062	FWRT 4-062	0.266	0.156	0.102	0.062

16FWRT004125	FWRT 4-125	0.266	0.156	0.102	0.125
16FWRT006032	FWRT 6-032	0.328	0.198	0.128	0.032
16FWRT006062	FWRT 6-062	0.328	0.198	0.128	0.062
16FWRT007062	FWRT 7-062	0.75	0.375	0.215	0.062
16FWRT008032	FWRT 8-032	0.391	0.235	0.152	0.032
16FWRT008045	FWRT 8-045	0.453	0.218	0.135	0.045
16FWRT008062	FWRT 8-062	0.391	0.235	0.152	0.062
16FWRT010032	FWRT 10-032	0.453	0.277	0.177	0.032
16FWRT010062	FWRT 10-062	0.453	0.277	0.177	0.062
16FWRT010062A	FWRT 10-062 "A"	0.5	0.277	0.177	0.062
16FWRT010062C	FWRT 010-062 "C"	0.63	0.277	0.177	0.062
16FWRT250032	FWRT 250-032	0.594	0.375	0.234	0.032
16FWRT250032A	FWRT 250-032 "A"	0.5	0.344	0.234	0.032
16FWRT250062	FWRT 250-062	0.594	0.375	0.234	0.062
16FWRT250062A	FWRT 250-062 "A"	1.5	0.45	0.234	0.062
16FWRT312032	FWRT 312-032	0.734	0.47	0.292	0.032
16FWRT312062	FWRT 312-062	0.734	0.47	0.292	0.062
16FWRT375032	FWRT 375-032	0.891	0.564	0.35	0.032
16FWRT375062	FWRT 375-062	0.891	0.564	0.35	0.062
16FWRT375062A	FWRT 375-062 "A"	1.26	0.563	0.35	0.062
16FWRT437032	FWRT 437-032	1.03125	0.57	0.41	0.032

More Results: [1](#) [2](#) [NEXT >>](#)

[Home](#) | [Catalog](#) | [Ordering Info](#) | [General Info](#) | [Terms](#) | [Track UPS Shipments](#) | [Mechanical and Material Test Data](#) | [Contact Us](#)

	micro plastics,[®] inc.
The world's largest manufacturer of threaded nylon fasteners.	
Highway 178 North Flippin, AR 72634 USA	
Voice: 870.453.8861 Fax: 870.453.8676	