



micro plastics,® inc.



Select Your Region: United States

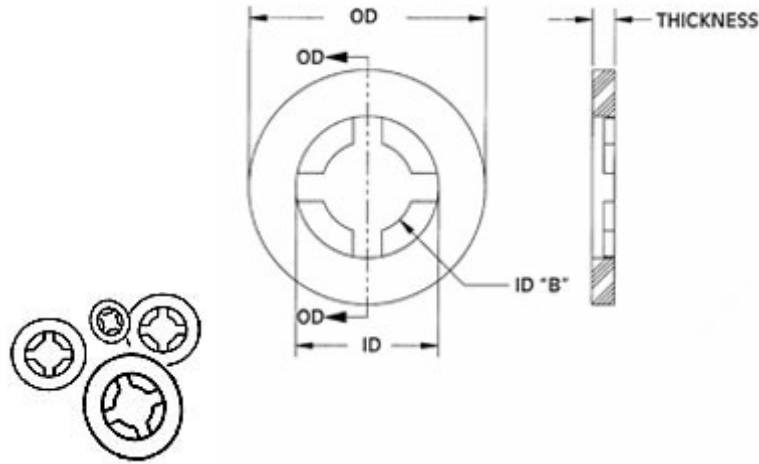
[Search](#)

[View All](#)

[Need Help?](#)

Nylon Retaining Washers

MENU



Similar to our standard flat washers, but with a specially configured I.D. designed to grip the outside of the screw shank. The washer slides on the screw easily, but is retained on the screw. For use in applications requiring pre-assembly of the screw and washer, to reduce final assembly cost. Other sizes will be tooled on request.



[Filter List](#) [Advanced Sort](#) [Display Options](#)

Item Number	Description	Package Qty	OD	ID	ID "B"	Thickness
16FWRT007062	FWRT 7-062 RETAINING WASHER M01 Pre-Packaged @ 500pcs/S-bag	500	0.750 (+/- 0.015)	0.375 (+/- 0.005)	0.215 (+/- 0.005)	0.062 (+/- 0.010)
16FWRT010062C	FWRT 10-062 "C" RETAINING WASHER M01 Pre-Packaged @ 1000 pcs/S-bag	1000	0.630 (+/- 0.015)	0.277 (+/- 0.005)	0.177 (+/- 0.005)	0.062 (+/- 0.010)
16FWRT250062A	FWRT 250-062A RETAINING WASHER M01 Pre-Packaged @ 1,000pcs/L-bag	1000	1.500 (+/- 0.015)	0.450 (+/- 0.005)	0.234 (+/- 0.005)	0.062 (+/- 0.010)
16FWRT008045	FWRT8045 RETAINING WASHER M01 Pre-Packaged @ 1000 pcs/S-bag	1000	0.453 (+/- 0.005)	0.218 (+/- 0.005)	0.135 (+/- 0.005)	0.045 (+/- 0.010)
16FWRT002032	FWRT 2-032 RETAINING WASHER M01 Pre-Packaged @ 1000 pcs/T-bag	1000	0.203 (+/- 0.015)	0.115 (+/- 0.005)	0.078 (+/- 0.005)	0.032 (+/- 0.010)
16FWRT002062	FWRT 2-062 RETAINING WASHER M01 Pre-Packaged @ 1,000pcs/T-bag	1000	0.203 (+/- 0.015)	0.115 (+/- 0.005)	0.078 (+/- 0.005)	0.062 (+/- 0.010)
16FWRT004032	FWRT 4-032 RETAINING WASHER M01 Pre Packaged @ 1000/T-bag	1000	0.265 (+/- 0.015)	0.156 (+/- 0.005)	0.102 (+/- 0.005)	0.032 (+/- 0.010)
16FWRT004062	FWRT 4-062 RETAINING WASHER M01 Pre-Packaged @ 1,000pcs/T-bag	1000	0.265 (+/- 0.015)	0.156 (+/- 0.005)	0.102 (+/- 0.005)	0.062 (+/- 0.010)
16FWRT004125	FWRT4-125 RETAINING WASHER M01 MT Pre-Packaged @ 1,000pcs/T-bag	1000	0.265 (+/- 0.015)	0.156 (+/- 0.005)	0.102 (+/- 0.005)	0.125 (+/- 0.010)
16FWRT006032	FWRT 6-032 RETAINING WASHER M01 Pre-Packaged @ 1,000pcs/T-bag	1000	0.328 (+/- 0.015)	0.198 (+/- 0.005)	0.128 (+/- 0.005)	0.032 (+/- 0.010)

1 2 3 4

Show Dimension Tolerances