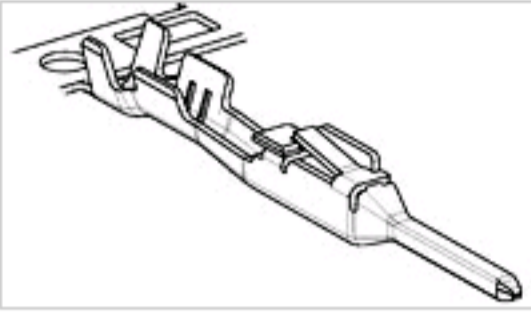




# 1674742-1 Product Details

[Share](#) | [Print](#) | [Email](#)


## 0.025 Series and Hybrid Connectors and Contacts

025 TH TAB CONTACT

**1674742-1**

TE Internal Number: 1674742-1

**Active**

[View 3D PDF](#)

**Product Highlights** [View All](#)

- Product Series = 025
- Wire-to-Wire
- Applies To Wire/Cable
- Contact
- Contact Type = Tab

[Pricing & Availability](#)

[Request Sample](#)

[Add to My Part List](#)

[Buy Product through Distributor](#)

Feedback

[Documents](#)

**[Features](#)**

[Compliance](#)

**Please Note:**  
Use the Product Drawing for all design activity

**Product Type Features**

Product Series	025
Product Type	Contact
Sealed	No
Wire/Cable Type	Discrete Wire

**Mechanical Attachment**

Contact Retention	With
Contact Retention Type	Locking Lance
Panel Mount Retention	Without

**Electrical Characteristics**

Contact - Rated Current (A)	4
Operating Voltage Reference	DC
Operating Voltage (VDC)	12

**Termination Features**

Termination Method to Wire/Cable	Crimp
----------------------------------	-------

**Dimensions**

Tab Width (mm [in])	0.64 [0.025]
Length (X-Axis) (mm [in])	21.30 [0.8386]
Width (Z-Axis) (mm [in])	2.50 [0.0984]
Profile Height (Y-Axis) (mm [in])	2.50 [0.0984]

**Body Features**

Wire Type	Stranded
-----------	----------

**Contact Features**

Contact Type	Tab
Contact Base Material	Copper Alloy
Contact Mating Area Plating (Signal)	Pre-Tin
Underplate Material	Copper
Underplate Material Thickness (µm [µin])	0.50 [19.685]
Shunts/Shorting Bars	Without

**Configuration Features**

Strain Relief	Without
GET 0.64 Connector System	No

**Industry Standards**

Automotive Cable Standards (Signal)	AVSS/CAVS/AVSSH-f, CAVUS
RoHS/ELV Compliance	RoHS compliant, ELV compliant
Lead Free Solder Processes	Not relevant for lead free process
RoHS/ELV Compliance History	Always was RoHS compliant

**Environmental**

Operating Temperature (°C [°F])	-30 - +105 [-22 - +221]
---------------------------------	-------------------------

**Conditions for Usage**

Applies To	Wire/Cable
------------	------------

**Operation/Application**

Application Use	Wire-to-Wire
Contact Transmits (Typical Application)	Signal (Data)

**Packaging Features**

Packaging Method	Reel
Packaging Quantity	10,000

**Other**

Brand	TE Connectivity
-------	-----------------

**Related Products**

Not quite the product you're looking for?  
[Find Similar Products](#)

[View Part in Product Feature Selector](#)

[Check for Tooling](#)

**Corporate Information**

- [About TE](#)
- [Investors](#)
- [News Room](#)
- [Supplier Portal](#)
- [Careers](#)
- [Terms & Conditions](#)
- [Privacy Policy](#)
- [Global Accessibility Statement](#)

**Quick Links**

- [Distributor Inventory](#)
- [Product Cross Reference](#)
- [Documents & Drawings](#)
- [Product Compliance Support Center](#)
- [Site Map](#)

**Customer Support**

- [Email or Chat With Us](#)
- [Find a Phone Number](#)
- [Knowledge Base](#)
- [Manage Your Account](#)

**Keep Me Informed**

