

## Conductor connectors - Q 0,34/4IDC/16-16KU-KU BK - 1641879

Please be informed that the data shown in this PDF Document is generated from our Online Catalog. Please find the complete data in the user's documentation. Our General Terms of Use for Downloads are valid (<http://phoenixcontact.com/download>)




Conductor connectors, QUICKON connection, number of positions: 4, 0.14 mm<sup>2</sup> ... 0.34 mm<sup>2</sup>, 125 V, 5 A, black, cable diameter range: 3.5 mm ... 6 mm, QUICKON fast connection

### Your advantages

- ✓ Innovative and time saving - QUICKON fast connection for time saving of up to 80 % for on-site connection
- ✓ Convenient: quick and easy assembly without special tools
- ✓ Safer connection thanks to polarization against mismatching and touch-proof protection according to DIN EN 0105
- ✓ Easy and safe - with the cable connector, you can repair or extend cables quickly, in combination with the connector as well as the coupling connection

### Key Commercial Data

|                                      |   |
|--------------------------------------|---|
| Packing unit                         | 1 pc  |
| GTIN                                 | <br>4 017918 925185 |
| GTIN                                 | 4017918925185   |
| Weight per Piece (excluding packing) | 14.000 g  |
| Custom tariff number                 | 85366990  |
| Country of origin                    | Germany   |

### Technical data

#### General

|                     |                                      |
|---------------------|--------------------------------------|
| Color               | black                                |
| Locking type        | without                              |
| Connection method   | QUICKON connection<br>IDC connection |
| Number of positions | 4                                    |

## Conductor connectors - Q 0,34/4IDC/16-16KU-KU BK - 1641879

### Technical data

#### General

|                                       |                      |
|---------------------------------------|----------------------|
| Tightening torque, union nut          | 0.8 Nm               |
| Number of connections                 | 4                    |
| Conductor cross section flexible min. | 0.14 mm <sup>2</sup> |
| Conductor cross section flexible max. | 0.34 mm <sup>2</sup> |
| Conductor cross section solid min.    | 0.14 mm <sup>2</sup> |
| Conductor cross section solid max.    | 0.25 mm <sup>2</sup> |
| Conductor cross section AWG min.      | 26                   |
| Conductor cross section AWG max.      | 22                   |

#### Cabel

|   |                                      |
|---|--------------------------------------|
| Structure of individual litz in acc. with VDE 0295 / smallest wire diameter | VDE 0295 class 1 to 6 / min. 0.10 mm |
| Wire insulation material  | PVC / PE / PP / rubber               |
| Wire diameter including insulation  | 0.7 mm ... 1.6 mm                    |
| External cable diameter   | 3.5 mm ... 6 mm                      |
| Position marking  | 1, 2, 3, 4                           |

#### Ambient conditions

|   |                  |
|---|------------------|
| Degree of protection                    | IP65             |
|   | IP67             |
| Ambient temperature (operation)         | -40 °C ... 80 °C |
| Ambient temperature (storage/transport) | -40 °C ... 80 °C |
| Temperature when conductor connected    | -5 °C ... 50 °C  |

#### Electrical characteristics

|                             |          |
|-----------------------------|----------|
| Nominal current $I_N$       | 5 A      |
| Nominal voltage $U_N$       | 125 V AC |
|                             | 125 V DC |
| Rated current               | 5 A      |
| Rated voltage (III/3)       | 125 V    |
| Rated voltage (III/2)       | 200 V    |
| Rated voltage (II/2)        | 320 V    |
| Rated surge voltage (III/3) | 2.5 kV   |
| Rated surge voltage (III/2) | 2.5 kV   |
| Rated surge voltage (II/2)  | 2.5 kV   |

#### Mechanical characteristics

|                          |         |
|--------------------------|---------|
| QUICKON connectability   | max. 10 |
| Impact category          | 3       |
| Category of shock impact | IK06    |

# Conductor connectors - Q 0,34/4IDC/16-16KU-KU BK - 1641879

## Technical data

### Material data

|  |            |
|--|------------|
| Contact material                       | Steel      |
| Contact surface material               | Tin-plated |
| Contact carrier material               | PA         |
| Insulating material                    | PA         |
| Flammability rating according to UL 94 | V0         |
| Overvoltage category                   | III        |
| Degree of pollution                    | 3          |

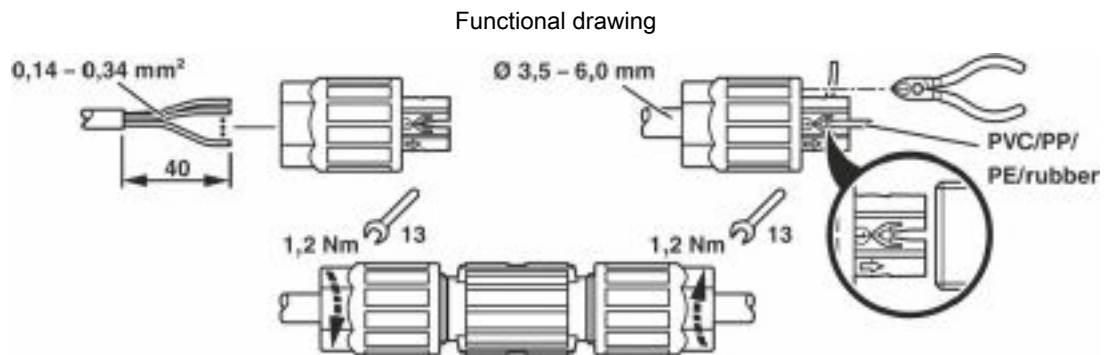
### Standards and Regulations

|  |      |
|--|------|
| Category of shock impact               | IK06 |
| Flammability rating according to UL 94 | V0   |

### Environmental Product Compliance

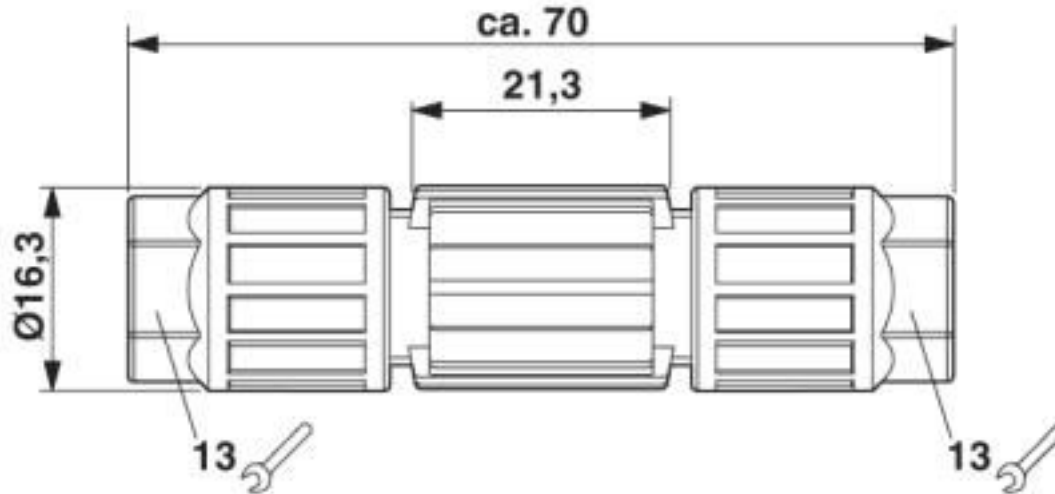
|            |   |
|------------|---|
| China RoHS | Environmentally friendly use period: unlimited = EFUP-e |
|            | No hazardous substances above threshold values          |

## Drawings



## Conductor connectors - Q 0,34/4IDC/16-16KU-KU BK - 1641879

Dimensional drawing



### Classifications

eCl@ss

|               |          |
|---------------|----------|
| eCl@ss 10.0.1 | 27440605 |
| eCl@ss 4.0    | 27140800 |
| eCl@ss 4.1    | 27140800 |
| eCl@ss 5.0    | 27143400 |
| eCl@ss 5.1    | 27143400 |
| eCl@ss 6.0    | 27143400 |
| eCl@ss 7.0    | 27440605 |
| eCl@ss 8.0    | 27440605 |
| eCl@ss 9.0    | 27440605 |

ETIM

|          |          |
|----------|----------|
| ETIM 2.0 | EC000516 |
| ETIM 3.0 | EC000516 |
| ETIM 4.0 | EC000516 |
| ETIM 5.0 | EC002560 |
| ETIM 6.0 | EC002560 |
| ETIM 7.0 | EC002560 |

UNSPSC

|               |          |
|---------------|----------|
| UNSPSC 6.01   | 30211923 |
| UNSPSC 7.0901 | 39121522 |
| UNSPSC 11     | 39121522 |

## Conductor connectors - Q 0,34/4IDC/16-16KU-KU BK - 1641879

### Classifications

#### UNSPSC

|              |          |
|--------------|----------|
| UNSPSC 12.01 | 39121522 |
| UNSPSC 13.2  | 39121402 |
| UNSPSC 18.0  | 39121402 |
| UNSPSC 19.0  | 39121402 |
| UNSPSC 20.0  | 39121402 |
| UNSPSC 21.0  | 39121402 |

### Approvals

#### Approvals

---

Approvals

EAC / EAC / EAC / EAC


---


Ex Approvals


---

#### Approval details

|     |   |                          |
|-----|---|--------------------------|
| EAC |  | RU C-<br>DE.AI30.B.01102 |
|-----|---|--------------------------|

|     |   |               |
|-----|---|---------------|
| EAC |  | EAC-Zulassung |
|-----|---|---------------|

|     |   |                          |
|-----|---|--------------------------|
| EAC |  | RU C-<br>DE.A*30.B.01102 |
|-----|---|--------------------------|

|     |   |                          |
|-----|---|--------------------------|
| EAC |  | RU C-<br>DE.BL08.B.00511 |
|-----|---|--------------------------|

### Accessories

Accessories

## Conductor connectors - Q 0,34/4IDC/16-16KU-KU BK - 1641879

### Accessories

#### Electronics pliers

Diagonal cutter - MICROFOX-SB - 1212489



Electronic diagonal cutter, round head, without chamfer, with opening spring, mirror-polished and oiled, 2-component grip, cutting capacity: soft 0.2 - 2.0 mm; medium hard 1.2 mm; hard 0.5 mm diameter

---

#### Screwdriver tools

Tool - SAC BIT QUICKON-W13 - 1212033



Nut for assembling pressure nuts with 13 mm wrench size, for 4 mm hexagonal drive

---

Adapter insert - TSD-M SAC-BIT ADAPTER - 1212600



Adapter bit for TSD-M...torque tools, E6.3-1/4" drive with 4 mm hexagon to accommodate SAC bits

---

#### Sealing plugs

Closing cap - SEALING PLUG 6X16 RD - 1400254



Closing cap, material: PA, color: red

---

#### Stripping tool

## Conductor connectors - Q 0,34/4IDC/16-16KU-KU BK - 1641879

### Accessories

Stripping tool - WIREFOX SAC - 1212623



Stripping pliers, for halogen-free sensor/actuator cables (SAC cables), with PUR and PVC insulation, from  $\varnothing$  of 4.4 to 7 mm, any stripping length

---

Stripping tool - WIREFOX SAC-1 - 1212757



Stripping pliers, for halogen-free sensor/actuator cables (SAC cables), with PUR and PVC insulation, from  $\varnothing$  of 3.2 to 4.4 mm, any stripping length

---

Stripping tool - WIREFOX-D 16 - 1212173



Stripping tool, for stripping lines (specially for fiber optics lines) of  $\varnothing$  4 - 16 mm

---

Stripping tool - WIREFOX-D 40 - 1212161



Stripping tool, for stripping cables of 4.5 mm - 40 mm- $\varnothing$ , insulation thickness of up to 4.5 mm, pivoting blade for round, lengthwise, and spiral cuts

---

### Torque tool

Torque screwdriver - TSD-M 1,2NM - 1212224



Torque screw driver, accuracy as per EN ISO 6789 standard, adjustable from 0.3 - 1.2 Nm

---

