

Crimp contact - SF-10KS004



1607356

<https://www.phoenixcontact.com/us/products/1607356>

Please be informed that the data shown in this PDF document is generated from our Online Catalog. Please find the complete data in the user documentation. Our General Terms of Use for Downloads are valid.



Crimp contact, turned, Single contact, contact diameter: 1 mm, crimp range: 0.14 mm² ... 0.5 mm² item no.: 1241922

Your advantages

- Crimping connection: vibration- and temperature-resistant assembly
- High tensile strength of the connection
- Low contact resistance
- Easy production monitoring

Commercial Data

Item number	1607356
Packing unit	1 pc
Minimum order quantity	100 pc
Note	Made to Order (non-returnable)
Sales Key	A12
Product Key	ABREBC
Catalog Page	Page 113 (C-2-2019)
GTIN	4046356174732
Weight per Piece (including packing)	0.273 g
Weight per Piece (excluding packing)	0.25 g
Customs tariff number	85366990
Country of origin	DE

Crimp contact - SF-10KS004



1607356

<https://www.phoenixcontact.com/us/products/1607356>

Technical Data

Product properties

Product type	Crimp contact
Contact type	turned
Series	SF

Connection data

Connection method	Crimp connection
-------------------	------------------

Material specifications

Contact surface	Nickel-plated (Ni), with gold coating (Au)
Contact material	CuZn
Contact material	CuZn
Contact surface	Nickel-plated, gold coating

Dimensions

Mechanical characteristics

Contact diameter	1 mm
------------------	------

Electrical properties

Contact

Contact diameter	1 mm
Min. cross section	0.14 mm ²
Max. cross section	0.5 mm ²
Rated surge voltage	6 kV

Crimp contact - SF-10KS004

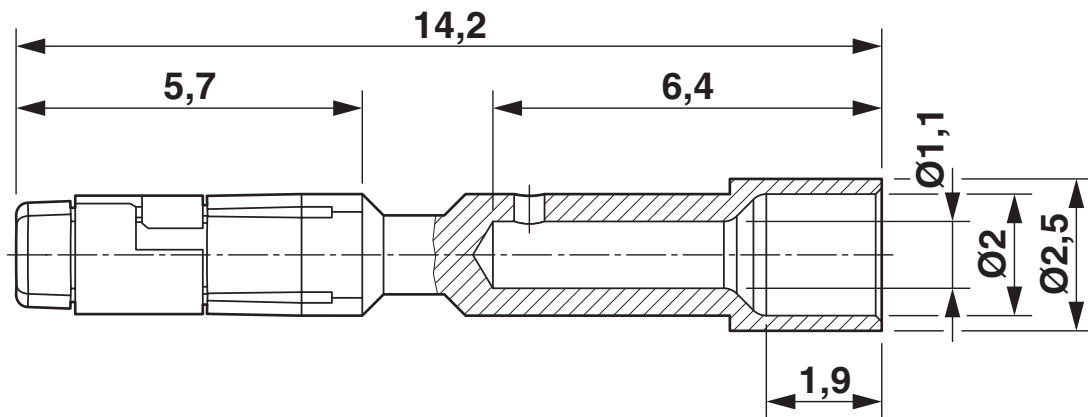
1607356

<https://www.phoenixcontact.com/us/products/1607356>



Drawings

Dimensional drawing



Crimp contact - SF-10KS004

1607356

<https://www.phoenixcontact.com/us/products/1607356>



Approvals



EAC

Approval ID: B.01687

Crimp contact - SF-10KS004



1607356

<https://www.phoenixcontact.com/us/products/1607356>

Classifications

ECLASS

ECLASS-9.0	27440204
ECLASS-10.0.1	27440204
ECLASS-11.0	27440204

ETIM

ETIM 8.0	EC000796
----------	----------

UNSPSC

UNSPSC 21.0	39121500
-------------	----------

Crimp contact - SF-10KS004

1607356

<https://www.phoenixcontact.com/us/products/1607356>



Environmental Product Compliance

REACH SVHC	Lead 7439-92-1
China RoHS	Environmentally Friendly Use Period = 50 years
	For information on hazardous substances, refer to the manufacturer's declaration available under "Downloads"

Crimp contact - SF-10KS004

1607356

<https://www.phoenixcontact.com/us/products/1607356>



Accessories

Crimp locator

Crimp locator - SF-Z0053 - 1615584

<https://www.phoenixcontact.com/us/products/1615584>



Locator for RC-Z2514 and RC-Z2504 crimping pliers, for crimping turned SF and ST contacts, diameter of 0.6 mm ... 1.0 mm and 2.0 mm.

Crimping pliers with digital display

Crimping pliers with digital display - SF-Z0054 - 1615585

<https://www.phoenixcontact.com/us/products/1615585>



Crimping pliers for turned crimp contacts \varnothing 0.6 mm / \varnothing 0.8 mm / \varnothing 1 mm / \varnothing 2 mm, litz wire cross section of 0.06 mm² ... 2.5 mm²

Crimp contact - SF-10KS004

1607356

<https://www.phoenixcontact.com/us/products/1607356>



Crimping pliers with digital display

Crimping pliers with digital display - SF-Z0025 - 1607452

<https://www.phoenixcontact.com/us/products/1607452>



Crimping pliers for turned crimp contacts \varnothing 1.0 mm / \varnothing 1.6 mm / \varnothing 2 mm / \varnothing 3.6 mm, litz wire cross section of 0.08 mm² ... 6 mm²

Phoenix Contact 2023 © - all rights reserved

<https://www.phoenixcontact.com>

Phoenix Contact USA
586 Fulling Mill Road
Middletown, PA 17057, United States
(+717) 944-1300
info@phoenixcon.com