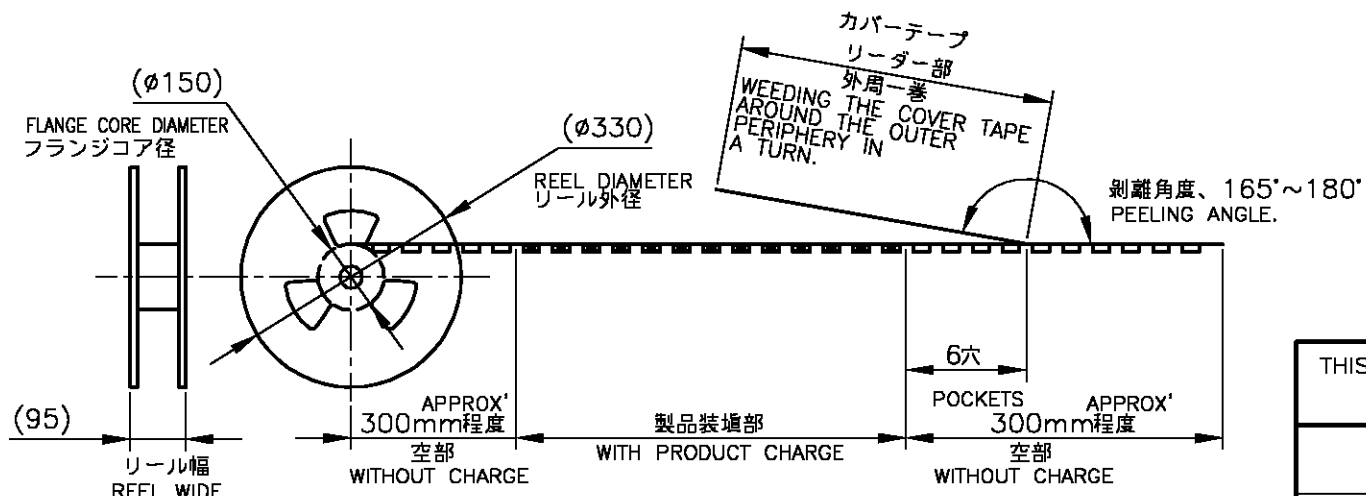
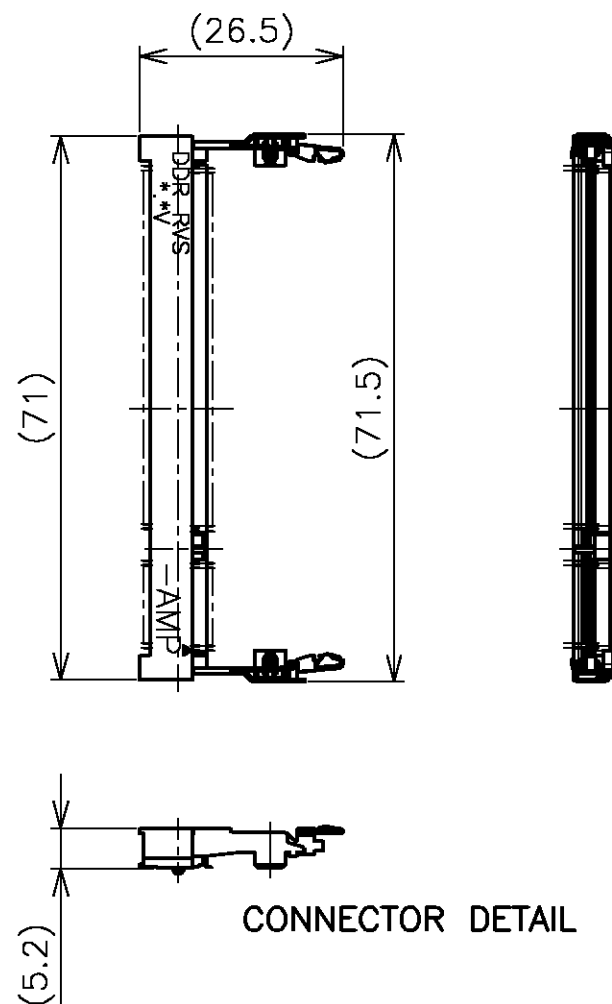
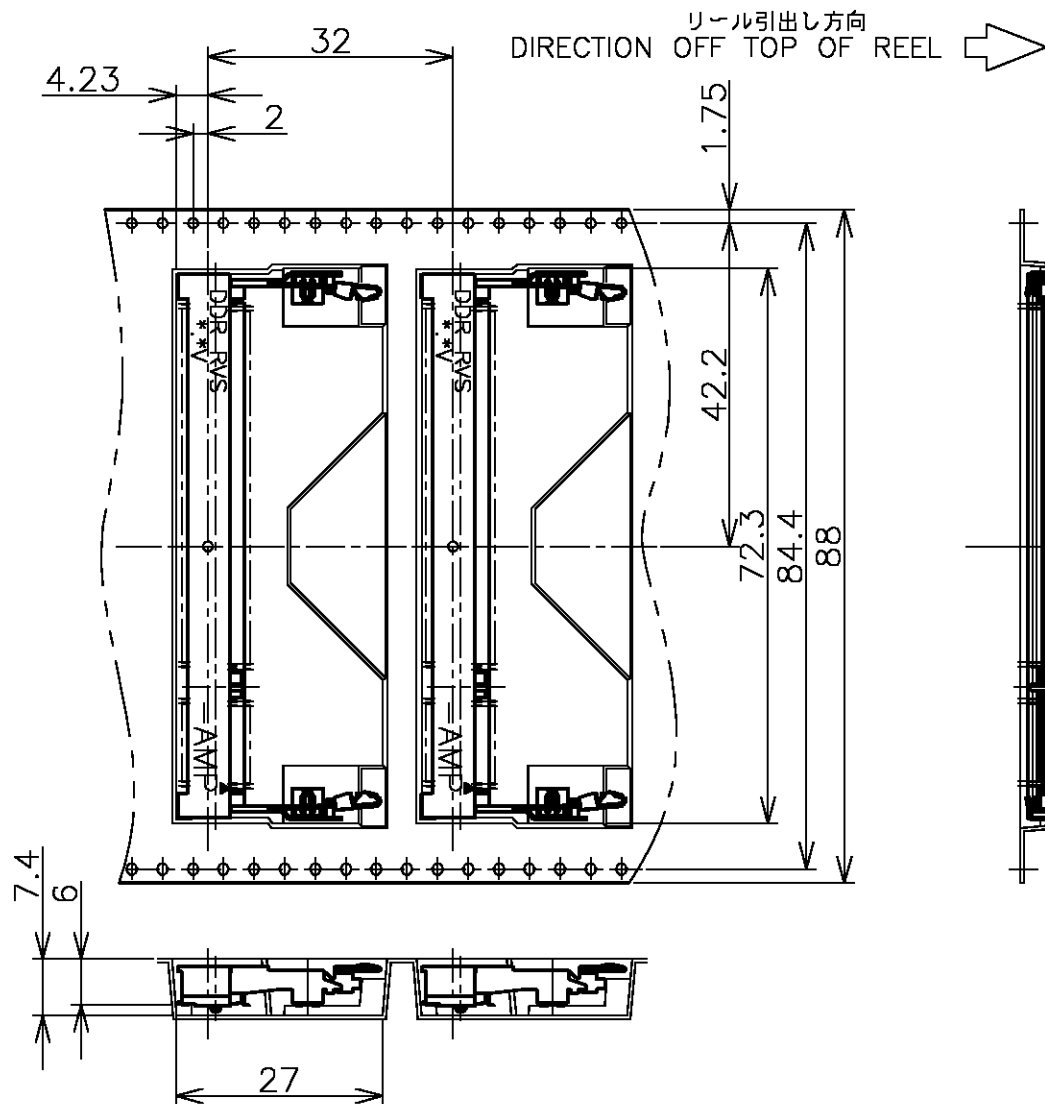


P	LTR	DESCRIPTION	DATE	DWN	APVD
	D	REVISED (FJB0-0954-03)	6JAN04	T.F	H.M



鉛フリー
LEAD FREE

POWER SUPPLY (TYPE)	QTY	CONNECTOR P/N	P/N
1.8V (DDR2)	150EA/REEL	1565712-4	1565918-4
2.5V (DDR1)	150EA/REEL	1565712-3	1565918-1

THIS DRAWING IS A CONTROLLED DOCUMENT.

DWN T.FUMIKURA 14DEC01	tyco Electronics Tyco Electronics AMP K.K. Kawasaki, Japan
CHK T.KUSUHARA 14DEC01	
APVD T.KUSUHARA 14DEC01	NAME 名称 EMBOSS ASSEMBLY
PRODUCT SPEC 製品規格 108-5701	DDR1 & DDR2 SODIMM SOCKET 200P STANDARD PROFILE REVERSE TYPE
APPLICATION SPEC 取付適用規格	SIZE A300779
WEIGHT	DRAWING NO C-1565918
CUSTOMER DRAWING	RESTRICTED TO D

SCALE 1:1 SHEET 1 OF 1 REV D