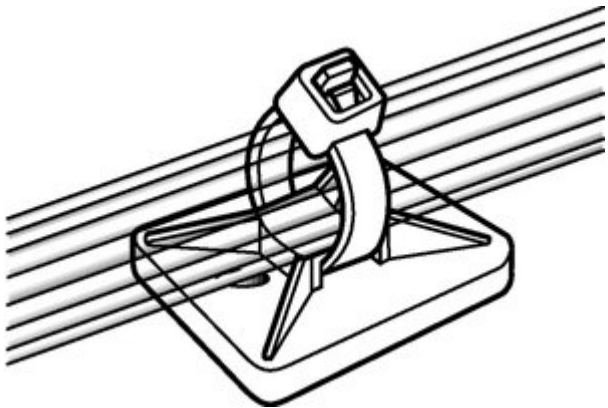


Self Adhesive, Screw Fixing Cable Tie Mounts MB3A

MB-Series square design, self adhesive, screwable, Article number: 151-28705

[Images \(8\)](#)[Downloads](#)

Features

- Screwable or self-adhesive versions
- Simple to install with a screw or bolt
- Excellent security, particularly in areas of high vibration
- Maximum surface area with adhesive to achieve high pull-off force
- 4-way entry for cable tie for quicker and more flexible installation

Certifications & Approvals

RoHS 

You can [accept or reject the cookies](#) on this site by choosing one of the following links: [I accept cookies](#)

[I refuse cookies](#) - [Privacy statement](#)

Contact 

Where speed, simplicity and a firm fixing base are required these self adhesive clips are ideal. Particularly suitable for use in control cabinets, telecoms equipment or domestic appliances where the use of holes, screws, or nuts and bolts is impractical or undesirable.

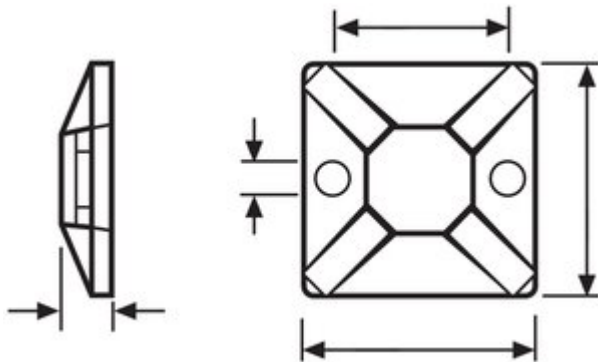
More products in this product group

Self Adhesive, Screw Fixing Cable Tie Mounts >

Base Data

Colour	White (WH)
Fixation Method	Screw Mounting and Adhesive
Mounting Screw Type	Adhesive
Pack Cont.	50
Package Quantity per	bag
PART DESCRIPTION	MB3A-PA66-WH
Product Family	MB-Series square design, self adhesive, screwable
Product Group	Self Adhesive, Screw Fixing Cable Tie Mounts

Product Dimensions



Fixing Hole Centres (F)	13.2 mm
for Hole \varnothing (FH)	3.1 mm
Height (H)	3.8 mm
Length (L)	19.0 mm
Strap Width max. (G)	4.1 mm
Thickness of Adhesive (TA) nom.	0.8
Width (W)	19.0 mm

Material and Specifications

Adhesive	Synthetic rubber with base of polyethylene foam
----------	---

You can easily accept or reject the cookies on this site by choosing one of the following links: [I accept cookies](#)

Adhesive Operating Temperature

-40 °C to +60 °C

I refuse cookies - [Privacy statement](#)

Flammability

UL 94 V2 (excluding adhesive)

Contact

Material	Polyamide 6.6 (PA66)
----------	----------------------

Operating Temperature - °C	-40 °C to +85 °C
----------------------------	------------------

Specifications	RoHS ✓
----------------	---------------

Logistics and Packaging

More Information

ETIM 6.0	EC000449
----------	----------

ETIM 7.0 Key	EC000449
--------------	----------

Similar products

MB4A

151-00321

Self Adhesive, Screw Fixing Cable Tie Mounts

MB3A

151-28721

Self Adhesive, Screw Fixing Cable Tie Mounts

MB4A

151-28421

Self Adhesive, Screw Fixing Cable Tie Mounts

MB3A

151-28717

Self Adhesive, Screw Fixing Cable Tie Mounts

MB3A

151-28718

Self Adhesive, Screw Fixing Cable Tie Mounts

MB4A

151-28403

Self Adhesive, Screw Fixing Cable Tie Mounts

Update: 18/08/2019

© HellermannTyton 2019

You can easily accept or reject the cookies on this site by choosing one of the following links: [I accept cookies](#)

[I refuse cookies](#) - [Privacy statement](#)

Contact 