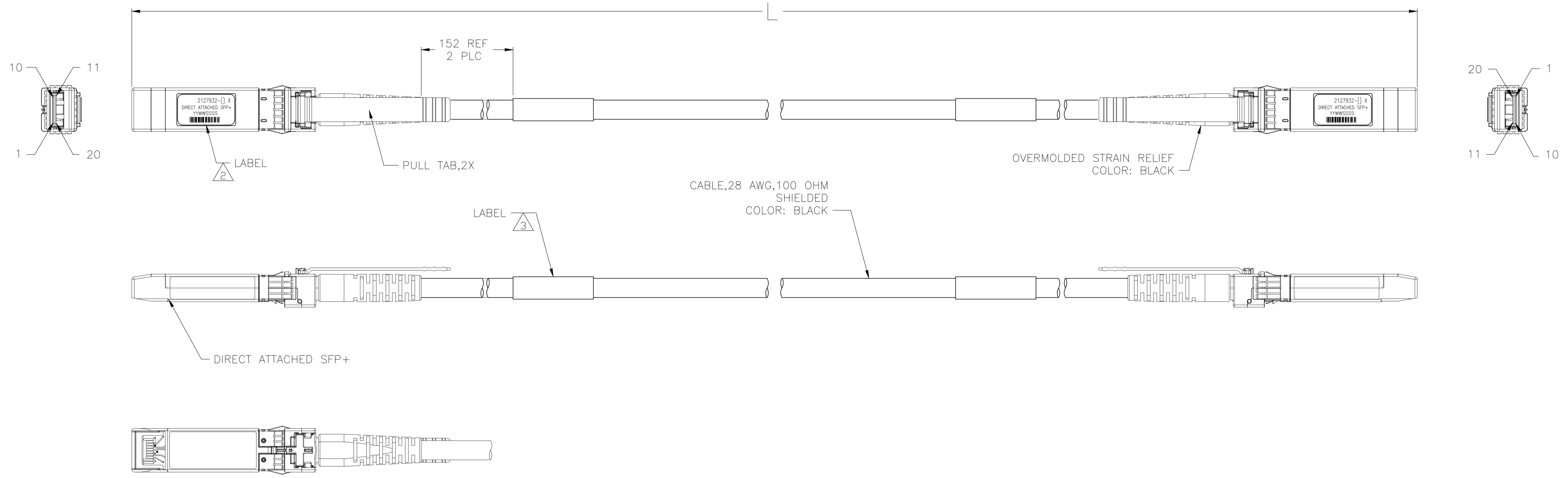
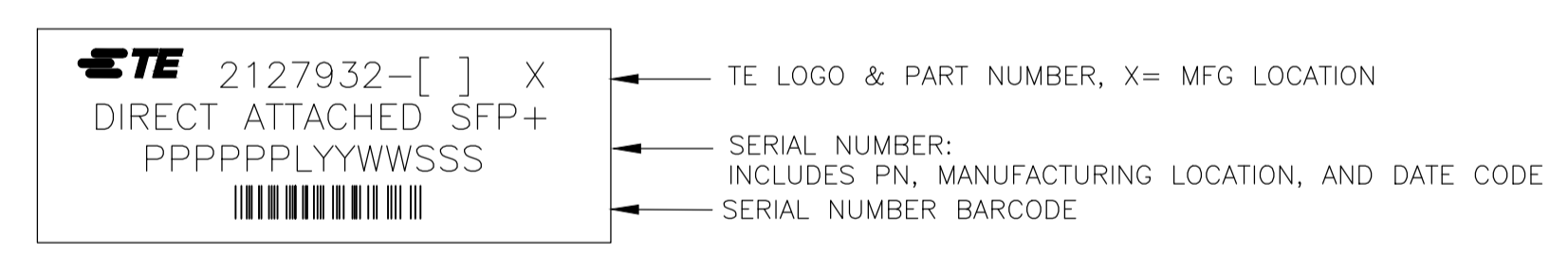


REVISIONS					
P	LTR	DESCRIPTION	DATE	OWN	APVD
D	REV PER ECO-20-005299		15APR2020	AK	GL

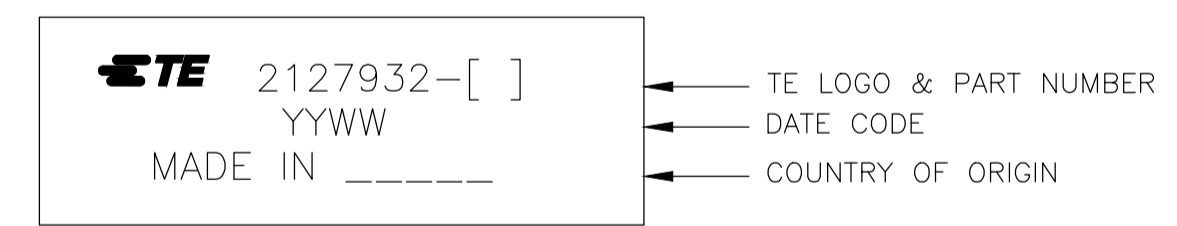


1. CHARACTERISTIC IMPEDANCE: 100±10 OHMS (MEASURED DIFFERENTIALLY).

△2 LABEL INFORMATION:



△3 LABEL INFORMATION:



4. SEE SHEET 2 FOR WIRING SCHEMATIC.

5. ROHS COMPLIANCE: PRODUCT AND PROCESSING MEETS REQUIREMENTS OF TE SPECIFICATION TEC-138-702.

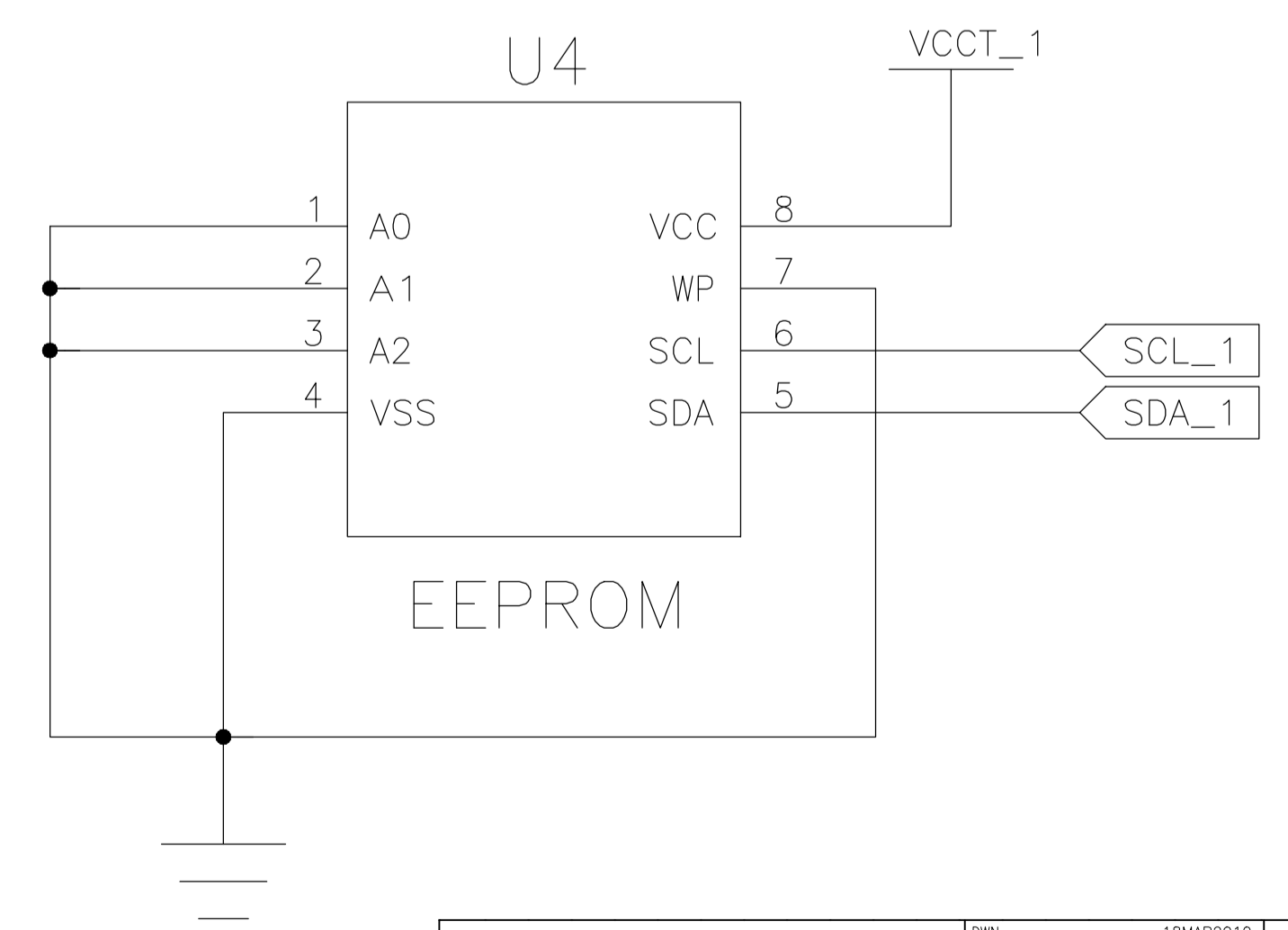
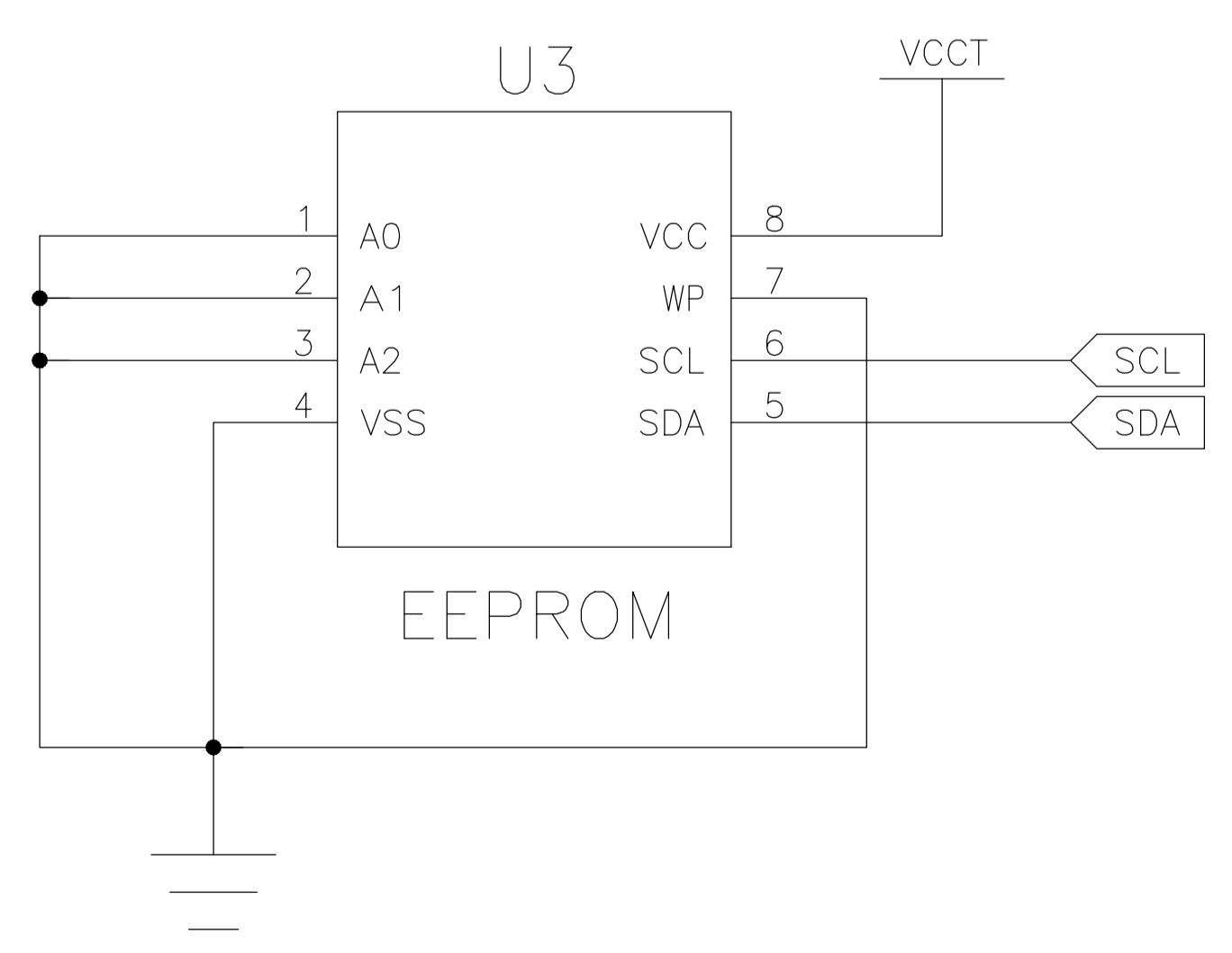
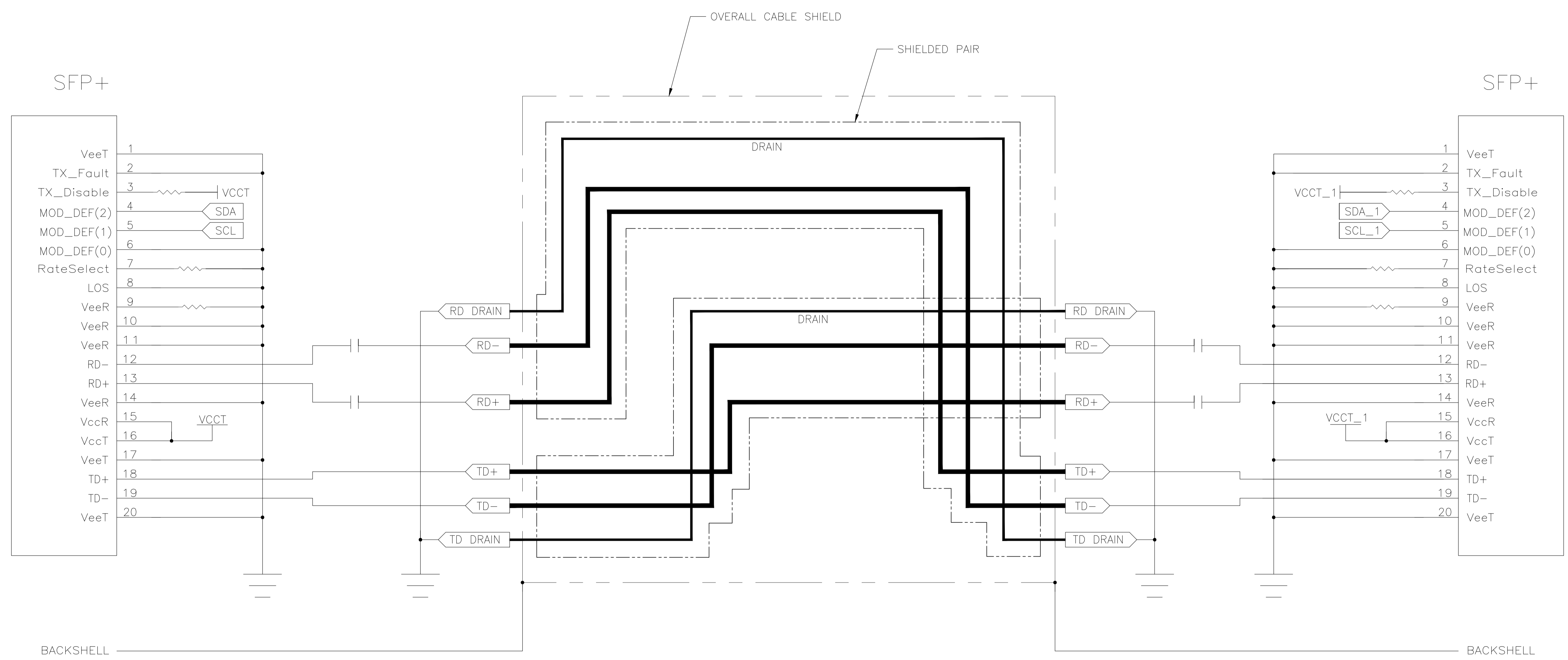
3.5 ^{+0.08} ₋₀ METERS	2127932-7
5 ^{+0.1} ₋₀ METERS	2127932-6
4 ^{+0.08} ₋₀ METERS	2127932-5
3 ^{+0.08} ₋₀ METERS	2127932-4
2 ^{+0.08} ₋₀ METERS	2127932-3
1 ^{+0.05} ₋₀ METERS	2127932-2
0.5 ^{+0.05} ₋₀ METERS	2127932-1
L	PART NO

THIS DRAWING IS A CONTROLLED DOCUMENT.

DIN	T. SMITH	18MAR2010
CHK	C. ADAMS	18MAR2010
APVD	C. ADAMS	18MAR2010
NAME	CABLE ASSY, 28 AWG, SFP+ TO SFP+ NI_PLATED	
PRODUCT SPEC	-	
APPLICATION SPEC	-	
SIZE	A1	00779
CAGE CODE	-	
DRAWING NO	2127932	
RESTRICTED TO	-	
WEIGHT	-	
CUSTOMER DRAWING	SCALE	1:1
SHEET	1	OF 2
REV	D	

TE Connectivity Ltd.

REVISIONS				
#	LR	DESCRIPTION	DATE	OWN
-	-	SEE SHEET 1	-	-



THIS DRAWING IS A CONTROLLED DOCUMENT.		DWN T. SMITH 18MAR2010	TE Connectivity Ltd.	
DIMENSIONS: mm		CHK C. ADAMS 18MAR2010	NAME CABLE ASSY, 28 AWG, SFP+ TO SFP+ NI_PLATED	
TOLERANCES UNLESS OTHERWISE SPECIFIED: 0. PLC ± - 1. PLC ± - 2. PLC ± - 3. PLC ± - 4. PLC ± - ANGLES ± -		APP'D C. ADAMS 18MAR2010	PRODUCT SPEC APPLICATION SPEC	
MATERIAL		WEIGHT	SIZE A1	CAGE CODE 00779
		FINISH	DRAWING NO 2127932	RESTRICTED TO D
			CUSTOMER DRAWING	
			SCALE 1:1	SHEET 2 OF 2

Mouser Electronics

Authorized Distributor

Click to View Pricing, Inventory, Delivery & Lifecycle Information:

[TE Connectivity:](#)

[2127932-3](#)