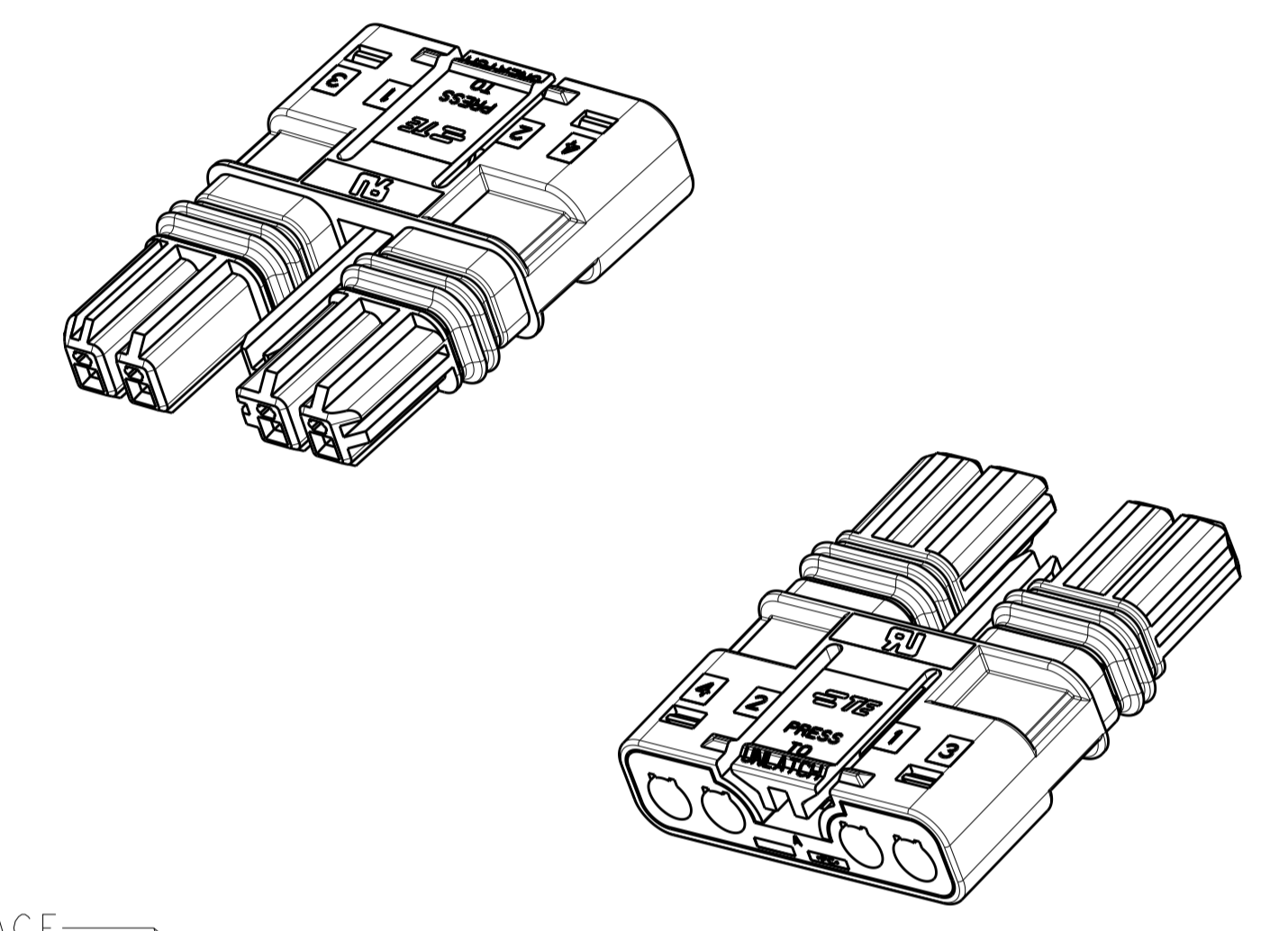
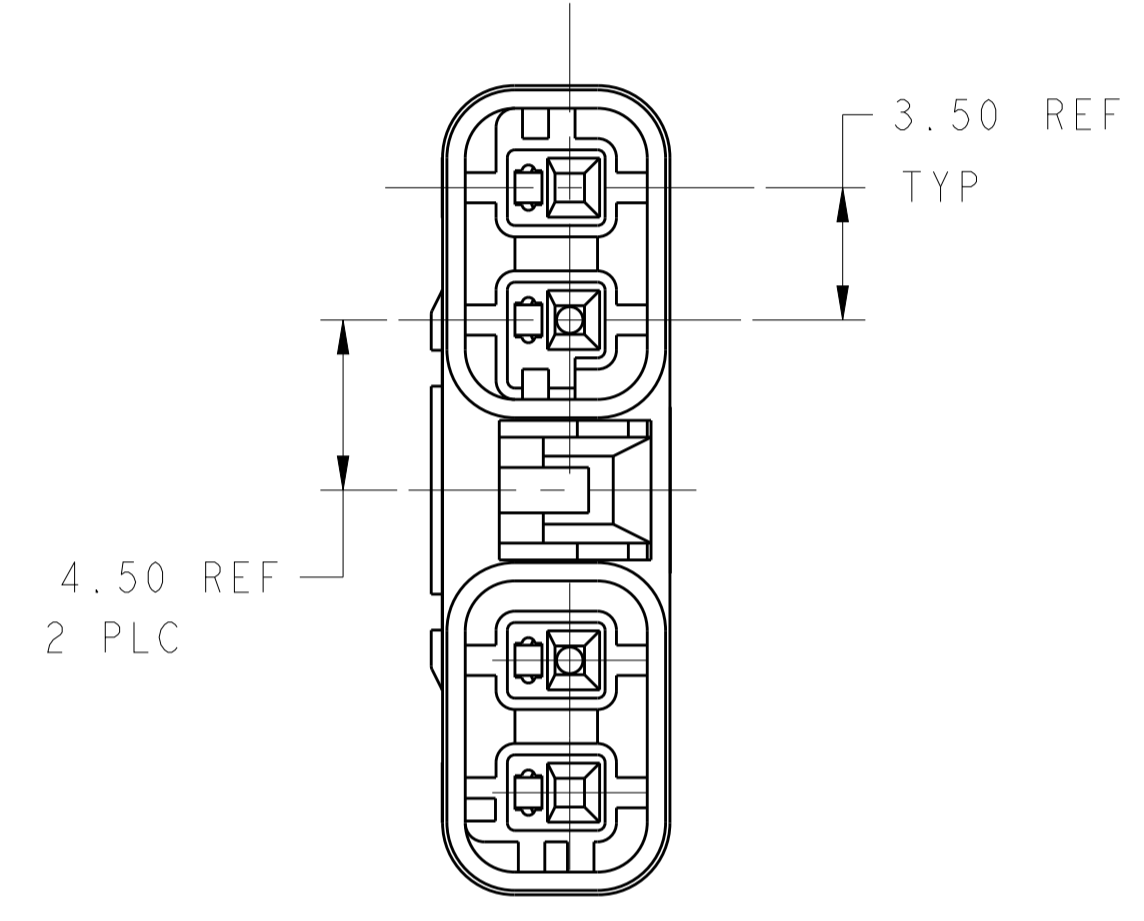
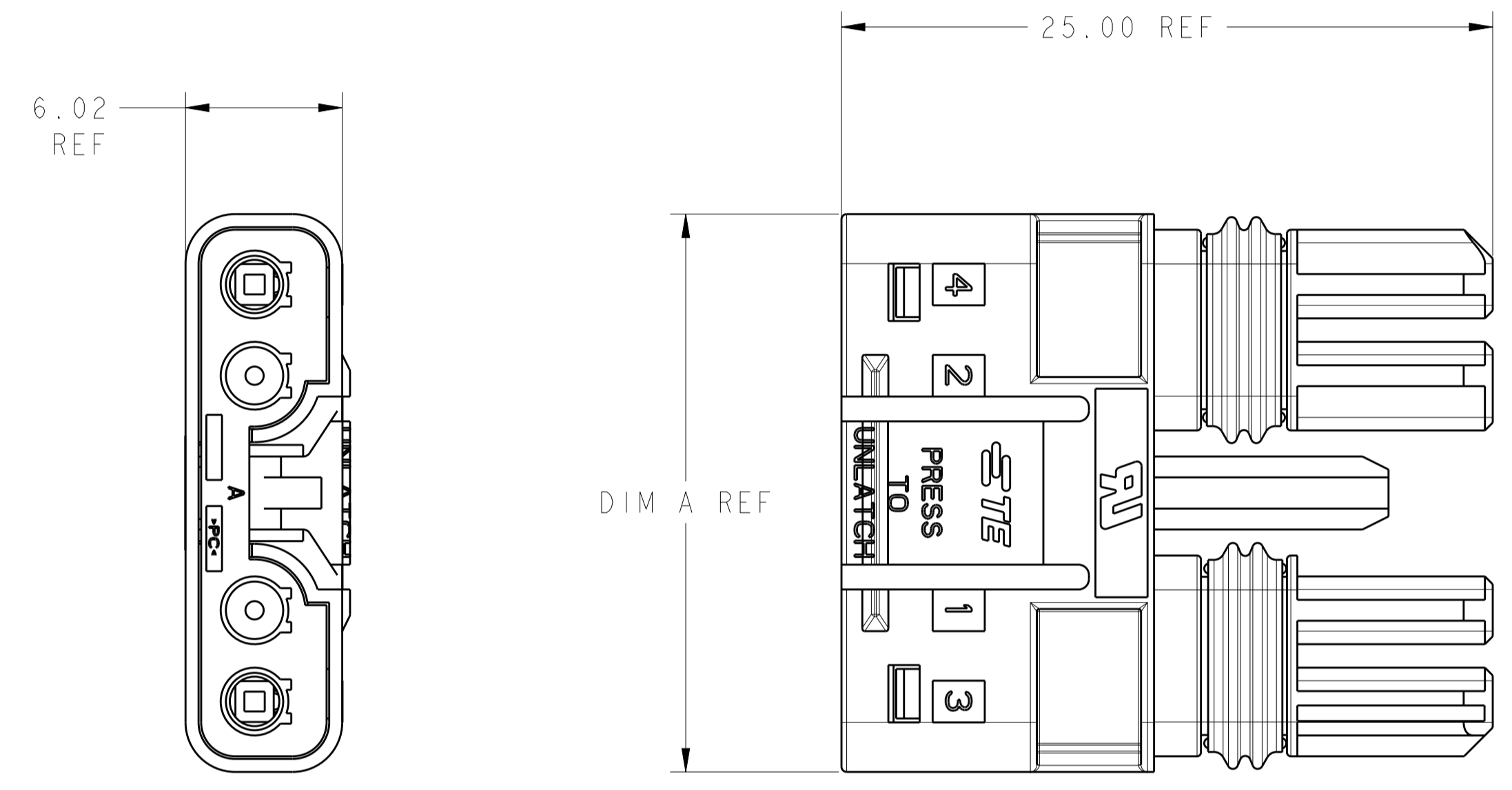
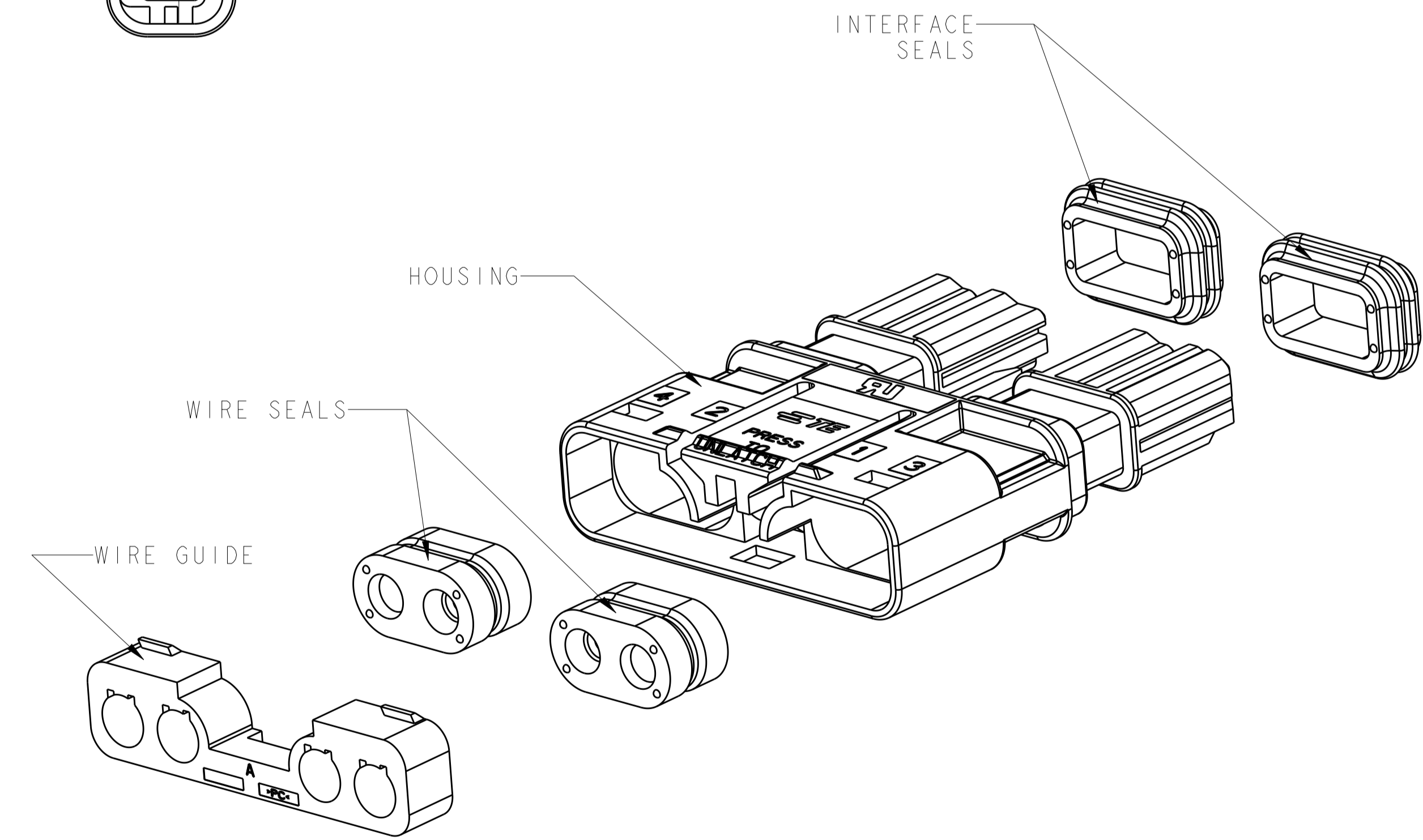
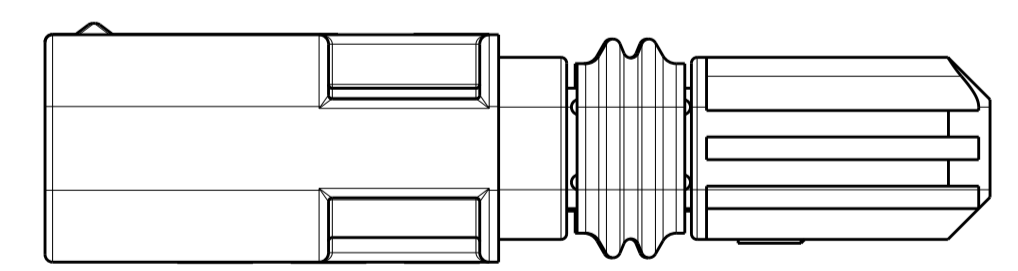


LOC	DIST	REVISIONS					
CM	00	P	LTN	DESCRIPTION	DATE	DWN	APVD
		A1		REVISED PER ECO-11-004820	11MAR2011	RK	HMR
		B		REVISED PER ECO-11-012970	26DEC2011	HVG	DD
		B1		REVISED PER ECO-12-009130	15MAY2012	RS	DD
		B2		REVISED PER ECO-17-002947	09MAY2017	SK	DD

- ⚠ MATERIAL: HOUSING: POLYCARBONATE, FI PER UL 746C, COLOR: BLACK  
 WIRE GUIDE: POLYCARBONATE, FI PER UL 746C, COLOR: BLACK  
 SEALS: SILICONE RUBBER, COLOR BLUE
- THIS PART HAS NOT COMPLETED VALIDATION TESTING.
  - MUST COMPLY WITH DIRECTIVE 2002/95/EC (ROHS).



2106135-4  
SCALE 3:1



2106135-4 SHOWN

21.40	4	2106135-4
17.90	3	2106135-3
14.40	2	2106135-2
DIM A REF	NO. OF POSN	PART NUMBER

THIS DRAWING IS A CONTROLLED DOCUMENT.		DWN: HM VAN SCIOK 12FEB2009	TE Connectivity ASSEMBLY, PLUG, FREE HANGING SLIMSEAL SSL CONNECTOR
DIMENSIONS: mm		CHK: A. BUCHER 12FEB2009	
TOLERANCES UNLESS OTHERWISE SPECIFIED:		APVD: A. BUCHER 12FEB2009	
0 PLC ± 1 PLC ±0.2 2 PLC ±0.15 3 PLC ± 4 PLC ± ANGLES ±°'		PRODUCT SPEC: 108-2391 APPLICATION SPEC: 114-13261 WEIGHT:	
MATERIAL:		FINISH: -	SIZE: A1 CAGE CODE: 00779 DRAWING NO: 2106135 CUSTOMER DRAWING:
SCALE: 4:1			SHEET 1 OF 1 REV: B2

# Mouser Electronics

Authorized Distributor

Click to View Pricing, Inventory, Delivery & Lifecycle Information:

[TE Connectivity:](#)

[2106135-3](#)