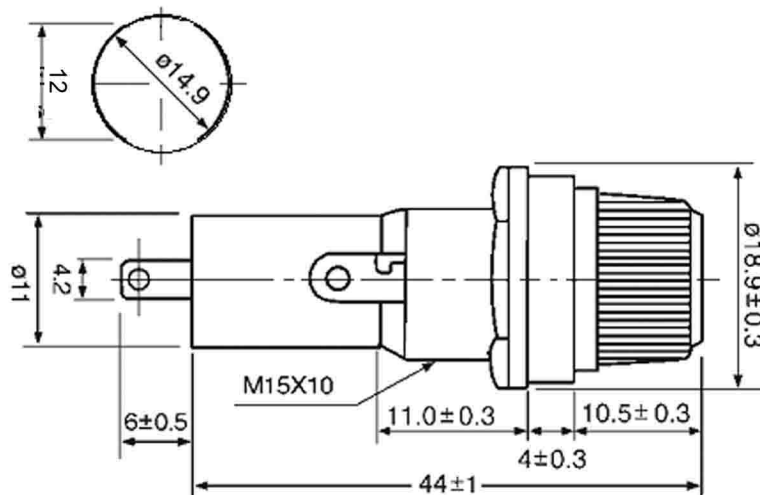


**RoHS
Compliant
Drawing For
Reference Only**



Technical requirement :

1. This product should meet EU RoHS related requirement.
2. The surface of plastic part should be without any crackle such as burr,lack,and so on phenomenon.
3. The surface of metal part should be without any defect such as scaur,nick,oxidation and plating problem.
4. The electronic performance should be the same as spec.

★SPECIFICATIONS :

STRUCTURE:

Holder: bakelite

**Clip pole: silver-plating brass
or nickel-plating brass**

★ELECTRONIC CHARACTER:

Rating current: 10A

Rating voltage: 250V AC

DCI DRAGON CITY INDUSTRIES LIMITED

Design			K.W Law	Remark		Scale	
Drawing			W.K Yeung	Remark		Material	
Item Name	FUSE HOLDER	Tolerance :	Check	K.L Wong	Remark	Drawing No.	B203311230
Item No.	FH-302S-EN-HZ	Unit : mm	Approval	K.W Chan	Remark	Sheet	