



Features:

- Motor: Shaded Pole Induction Motor
- Motor Protection: Impedance Protected
- Bearing Type: Two Ball, Sleeve, or Hydro Dynamic
- Connection: UL 1430 AWG 22, 280mm Wire Leads or Terminal
- Frame Material: Aluminum Alloy
- Impeller Material: Plastic UL94V-0
- Operating Temp:
 - Two Ball: -10°C~70°C
 - Sleeve: -10°C~60°C
 - Hydro Dynamic: -10°C~70°C
- Life Expectancy:
 - Two Ball: 50,000 Hours
 - Sleeve: 30,000 Hours
 - Hydro Dynamic: 50,000 Hours



Fan-S Division



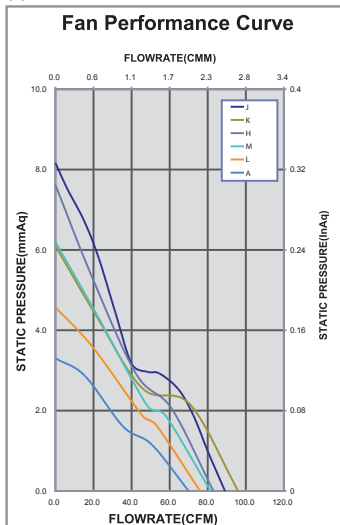
Model No.	Volt.	Freq.	Current	Power	Rated Speed	Maximum AirFlow		Maximum Static Pressure		Noise Level	Weight
	(VAC)	(Hz)	(A)	(W)	(rpm)	(CMM)	(CFM)	(InAq)	(mmAq)	(dB/A)	(g)
FAA1-12038N * K ** 31-A	115	50/60	0.28/0.24	21.20/19.20	2400/2600	2.720/3.030	96.0/107.0	0.240/0.250	6.096/6.350	46.4/48.1	550
FAA1-12038Q * K ** 31-A	230	50/60	0.14/0.12	17.50/19.80	2400/2600	2.720/3.030	96.0/107.0	0.240/0.250	6.096/6.350	46.4/48.1	550
FAA1-12038N * J ** 31-A	115	50/60	0.27/0.22	20.40/17.20	2700/3100	2.410/2.750	91.2/103.5	0.310/0.350	8.170/9.070	42.6/47.0	550
FAA1-12038Q * J ** 31-A	230	50/60	0.13/0.11	20.80/17.60	2700/3100	2.410/2.750	91.2/103.5	0.310/0.350	8.170/9.070	42.6/47.0	550
FAA1-12038N * H ** 31-A	115	50/60	0.24/0.19	17.00/14.00	2600/2900	2.410/2.750	85.0/97.0	0.310/0.350	7.900/8.870	42.2/44.5	550
FAA1-12038Q * H ** 31-A	230	50/60	0.11/0.09	17.10/14.80	2600/2900	2.410/2.750	85.0/97.0	0.310/0.350	7.900/8.870	42.2/44.5	550
FAA1-12038N * M ** 31-A	115	50/60	0.18/0.15	13.80/12.40	2600/2800	2.310/2.460	81.5/87.0	0.240/0.210	6.196/5.334	41.0/42.0	550
FAA1-12038Q * M ** 31-A	230	50/60	0.08/0.07	13.80/12.50	2600/2800	2.310/2.460	81.5/87.0	0.240/0.210	6.196/5.334	41.0/42.0	550
FAA1-12038N * L ** 31-A	115	50/60	0.12/0.11	9.00/8.70	2400/2200	2.150/2.020	76.0/71.5	0.180/0.100	4.572/2.540	40.1/37.9	550
FAA1-12038Q * L ** 31-A	230	50/60	0.06/0.05	9.80/9.40	2400/2200	2.150/2.020	76.0/71.5	0.180/0.100	4.572/2.540	40.1/37.9	550
FAA1-12038N * A ** 31-A	115	50/60	0.08/0.08	7.00/6.60	2300/1700	1.980/1.520	70.0/53.5	0.130/0.060	3.302/1.524	39.2/30.5	550
FAA1-12038Q * A ** 31-A	230	50/60	0.04/0.04	8.10/7.70	2300/1700	1.980/1.520	70.0/53.5	0.130/0.060	3.302/1.524	39.2/30.5	550

* Indicates "B" (Ball Bearing), "S" (Sleeve Bearing), or "H" (Hydro Dynamic)

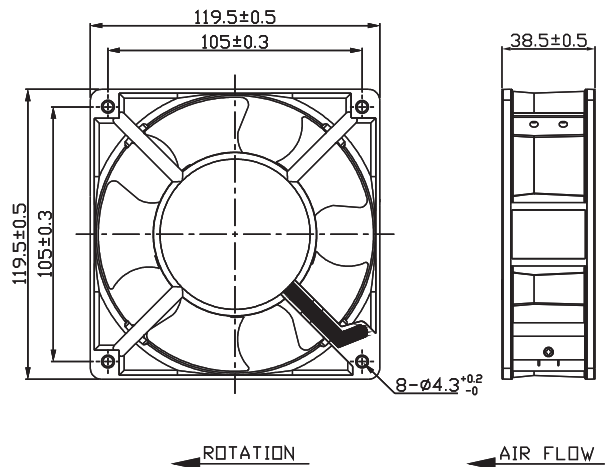
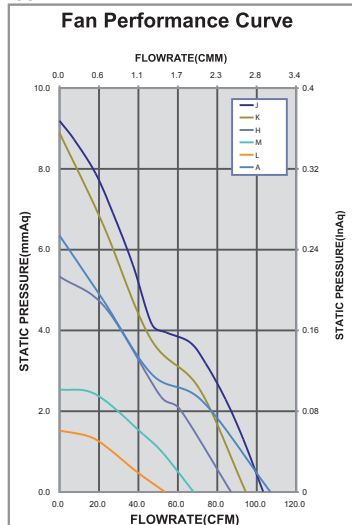
** Indicates "W" (Wire Leads) or "T" (Terminal)

Noise is measured at the distance of one (1) meter from the axis of intake.

50Hz



60Hz



Mouser Electronics

Authorized Distributor

Click to View Pricing, Inventory, Delivery & Lifecycle Information:

Qualtek:

[FAA1-12038NBW31-A](#)