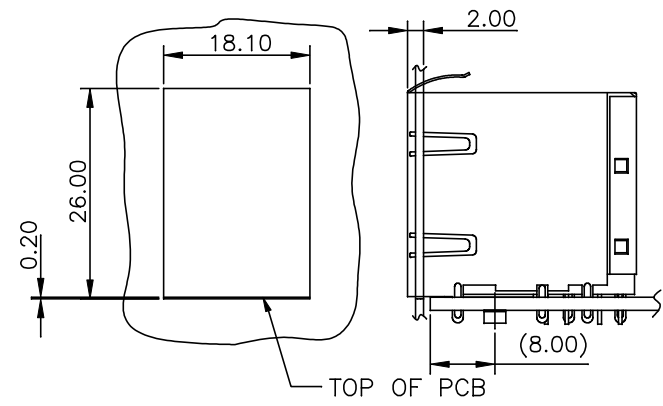
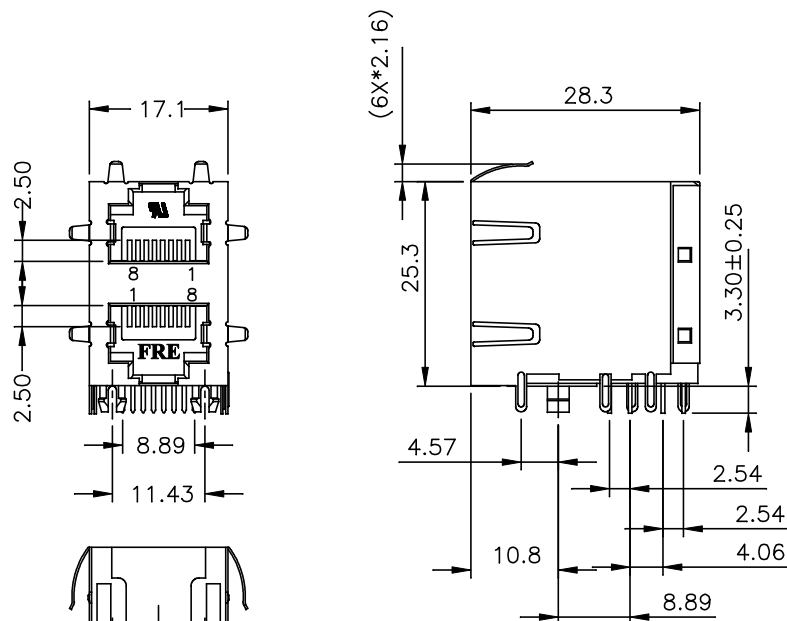
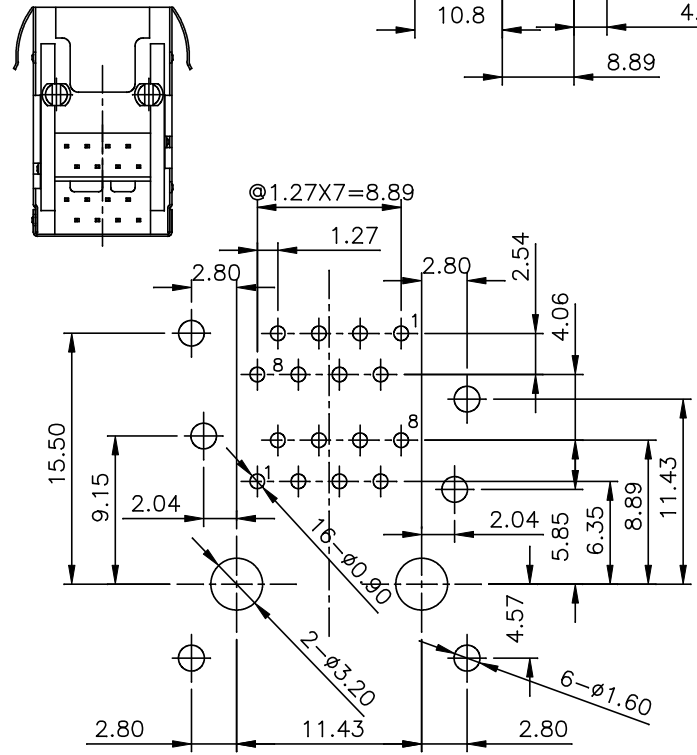


REVISION RECORD		
REV	DESCRIPTION	DRFT
1	ADD HEIGHT DIM OF TABS	VICTOR



TOLERANCE: ±0.10  
RECOMMENDED PANEL CUT OUT



PC BOARD LAYOUT T=1.60mm  
COMPONENT SIDE SHOWN  
TOLERANCES ±0.05mm

**NOTES:**

**ELECTRICAL:**

- VOLTAGE RATING : 125 VAC RMS.
- CURRENT RATING : 1.5 AMP.
- CONTACT RESISTANCE : 60 MILLIOHMS MAX.
- INSULATION RESISTANCE: 1000 MEGOHMS MIN @ 500 VDC.
- DIELECTRIC STRENGTH : 1000 VDC RMS 60Hz, 1MIN.

**MECHANICAL:**

- HOUSING MATERIAL : GLASS FIBER FILLED NYLON, UL94V-0/BLACK.
- INSERT MATERIAL : GLASS FIBER FILLED NYLON, UL94V-0/BLACK.
- CONTACT MATERIAL : PHOSPHOR BRONZE t=0.35mm.
- SHIELD MATERIAL : COPPER ALLOY WITH NICKEL PLATING.
- PLATING : GOLD PLATING OVER NICKEL.
- OPERATING LIFE : 750 CYCLES MIN.
- PCB RETENTION PRE-SOLDER : 1 LB MIN.
- PCB RETENTION POST-SOLDER: 10 LBS MIN.

**ENVIRONMENTAL:**

- STORAGE : -40°C TO +85°C.
- OPERATION: -40°C TO +85°C.
- WAVE SOLDERING TEMPERATURE: 255°C~265°C (5~10 SECONDS).
- RoHS COMPLIANT.

MATES WITH MODULAR PLUG CONFORMING TO  
FCC PART 68, SUBPART F.  
CUL FILE NO. E163191.

E5908-4V0S54-L	30u"
PART NO.	Au PLATING

DETACHED LISTS			<b>RoHS Compliant</b>				
	TOLERANCES EXCEPT AS NOTED		TITLE				
	MM		STAMPED PIN III W/SHIELD JACK, 2X1				
	.0 ± 0.25	±	DFTO :	ELLA	DRAWING NO.	CE5908-4V0S5X-L	SIZE
.00 ± 0.20	±	DATE :	11/07/2012	/PART NO.	E5908-4V0S54-L	A3	1
.000 ± 0.10	±	SCALE :	1.5:1	DO NOT SCALE DRAWING		SHEET	1 OF 1
ANGLES ± 1°		THIRD ANGLE PROJECTION					

# Mouser Electronics

Authorized Distributor

Click to View Pricing, Inventory, Delivery & Lifecycle Information:

Pulse:

[E5908-4V0S54-L](#)