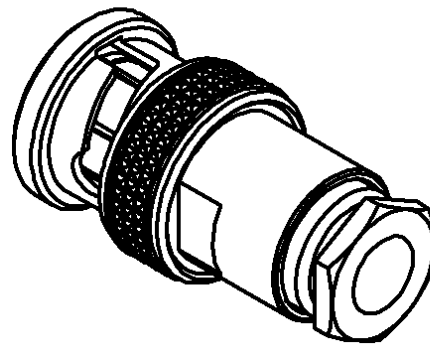
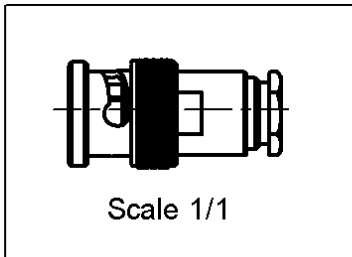
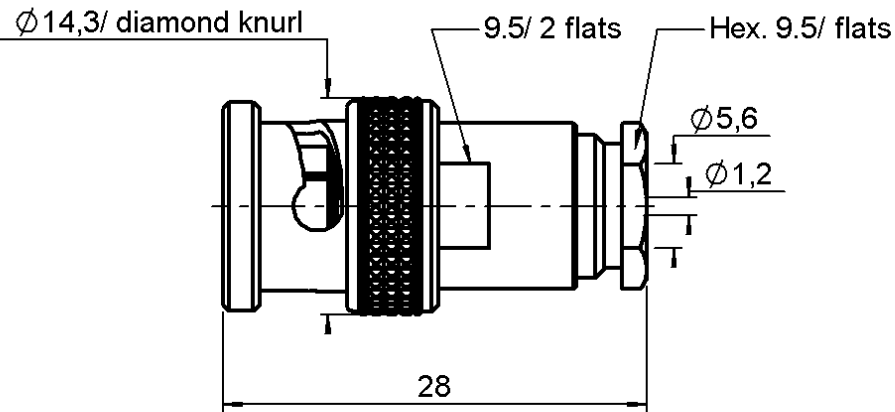


**STRAIGHT PLUG CLAMP TYPE**

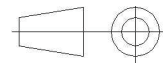
**R141.007.000**

**CABLE 5/50 S**

Series : **BNC**



All dimensions are in mm.



COMPONENTS	MATERIALS	PLATINGS (µm)
BODY	BRASS	NICKEL 2
CENTER CONTACT	BRASS	GOLD 0.5 OVER NICKEL 2
OUTER CONTACT	-	-
INSULATOR	PTFE	-
GASKET	SILICONE RUBBER	-
OTHERS PARTS	BRASS	NICKEL 2
-	-	-
-	-	-

Issue : 0444 C

In the effort to improve our products, we reserve the right to make changes judged to be necessary.



**STRAIGHT PLUG CLAMP TYPE**

**R141.007.000**

**CABLE 5/50 S**

Series : **BNC**

**PACKAGING**

Standard	Unit	Other
<b>100</b>	<b>'W' option</b>	<b>Contact us</b>

**SPECIFICATION**

**ELECTRICAL CHARACTERISTICS**

Impedance		<b>50</b>	$\Omega$
Frequency		<b>0-4</b>	GHz
VSWR	<b>1.2 +</b>	<b>0.000</b>	x F(GHz) Maxi
Insertion loss		<b>0.115</b>	$\sqrt{F}$ (GHz) dB Maxi
RF leakage	- (	<b>57</b>	- F(GHz)) dB Maxi
Voltage rating		<b>500</b>	Veff Maxi
Dielectric withstanding voltage		<b>1500</b>	Veff mini
Insulation resistance		<b>5000</b>	M $\Omega$ mini

**CABLE ASSEMBLY**

Stripping	a	b	c	d	e	f
mm	2.50	7.00	0.00	0.00	3.00	0.00

Assembly instruction : **CLAMP 03**

Recommended cable(s)  
 KX 15  
 RG 141  
 RG 58

Characteristics indicated on this data sheet are those that can be achieved with the highest performance cable. Intrinsic limitations of the cable may diminish the performance of the assembly

Cable retention

- pull off **90** N mini  
 - torque **NA** N.cm

**MECHANICAL CHARACTERISTICS**

Center contact retention			
Axial force – Mating end	<b>NA</b>	<b>N</b>	N mini
Axial force – Opposite end	<b>NA</b>	<b>N</b>	N mini
Torque	<b>NA</b>	<b>N.cm</b>	mini

**TOOLING**

Part Number	Description	Hexagon
-	-	-

Recommended torque			
Mating	<b>NA</b>	<b>N.cm</b>	
Panel nut	<b>NA</b>	<b>N.cm</b>	
Clamp nut	<b>150</b>	<b>N.cm</b>	
A/F clamp nut	<b>9.500</b>	<b>mm</b>	

**OTHERS CHARACTERISTICS**

Mating life	<b>500</b>	Cycles mini
Weight	<b>12.500</b>	g

**ENVIRONMENTAL**

Operating temperature	<b>-65/+165</b>	$^{\circ}$ C
Hermetic seal	<b>NA</b>	Atm.cm3/s
Panel leakage	<b>NA</b>	

Issue : **0444 C**

In the effort to improve our products, we reserve the right to make changes judged to be necessary.



**RADIALL** <sup>®</sup>

# Mouser Electronics

Authorized Distributor

Click to View Pricing, Inventory, Delivery & Lifecycle Information:

Radial:

[R141007000](#)