

Basic
Part Number

Dash Number
Table I

M85049/130

- 18

S

Material

C = Conductive Silicone with Aluminum or Monel Mesh, Capable of 80 dB at 100 MHz. Temperature Range -57° to +260° C.

F = Fluorosilicone IAW SAE AMS-R-25988

M = Conductive Silver Filled Silicone IAW MIL-DTL-3528 Type B, Capable of 110 dB at 10GHz. Temperature Range -55° to +260° C.

N = Neoprene IAW AMS 3208.

S = Silicone IAW AA-59588

V = Viton IAW MIL-R-83248

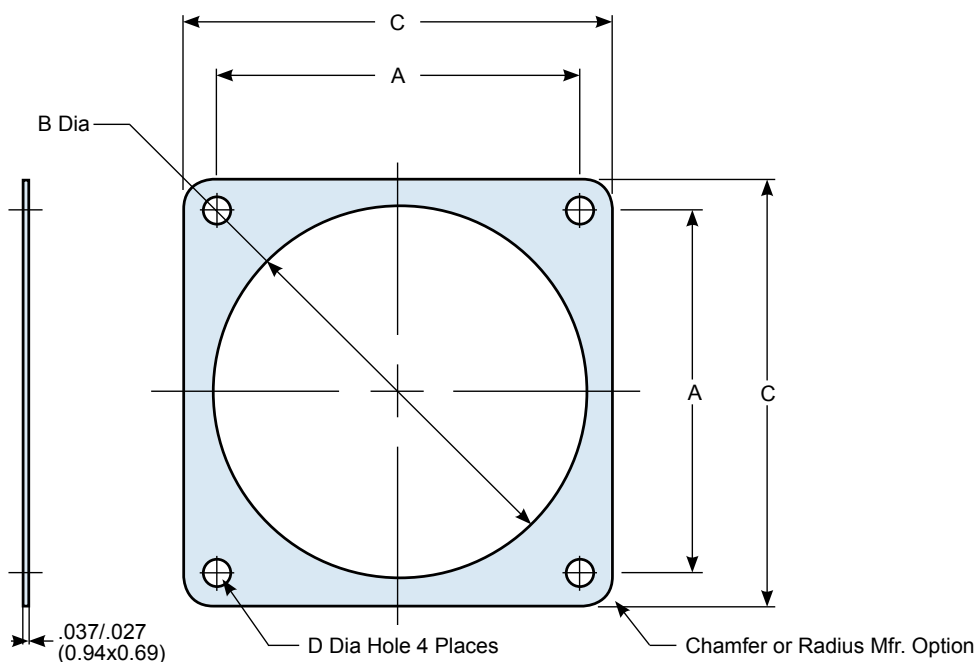


TABLE I: Dimensions

Dash No.	A ± .015 (0.38)	B +.020 (0.05) -.000	C ± .015 (0.38)	D ± .010 (0.25)
01	.594 (15.09)	.568 (14.43)	.812 (20.62)	.125 (3.18)
02	.594 (15.09)	.500 (12.70)	.875 (22.23)	.156 (3.96)
03	.625 (15.88)	.603 (15.32)	.896 (22.76)	.125 (3.18)
04	.719 (18.26)	.680 (12.27)	.937 (23.80)	.125 (3.18)
05	.719 (18.26)	.625 (15.88)	1.000 (25.40)	.156 (3.96)
06	.750 (19.05)	.750 (19.05)	1.023 (25.98)	.125 (3.18)
07	.812 (20.62)	.875 (22.23)	1.060 (26.92)	.141 (3.58)
08	.812 (20.62)	.828 (21.03)	1.114 (28.30)	.125 (3.18)
09	.813 (20.65)	.750 (19.05)	1.094 (27.79)	.141 (3.58)
10	.843 (21.41)	.875 (22.23)	1.138 (28.91)	.125 (3.58)
11	.906 (23.01)	1.005 (25.53)	1.153 (29.29)	.125 (3.58)
12	.906 (23.01)	.938 (23.83)	1.125 (28.58)	.125 (3.58)
13	.906 (23.01)	.875 (22.23)	1.188 (30.18)	.156 (3.96)
14	.969 (24.61)	1.135 (28.83)	1.258 (31.95)	.156 (3.96)
15	.969 (24.61)	1.063 (27.00)	1.250 (31.75)	.125 (3.58)

Continued on Page B-141

Dimensions in inches (millimeters) and are subject to change without notice.

**TABLE I: Dimensions
(Continued From Page B-140)**

Dash No.	A ± .015 (0.38)	B +.020 (0.05) -.000	C ± .015 (0.38)	D ± .010 (0.25)
16	.969 (24.61)	1.000 (25.4)	1.281 (32.54)	.156 (3.69)
17	1.015 (25.78)	1.125 (28.58)	1.383 (35.13)	.125 (3.18)
18	1.062 (26.97)	1.260 (32.00)	1.351 (34.32)	.156 (3.96)
19	1.062 (26.97)	1.189 (30.20)	1.343 (34.11)	.125 (3.18)
20	1.062 (26.97)	1.135 (28.83)	1.375 (34.92)	.156 (3.96)
21	1.140 (28.96)	1.312 (33.32)	1.508 (38.30)	.125 (3.18)
22	1.156 (29.36)	1.375 (34.92)	1.500 (38.10)	.141 (3.58)
23	1.156 (29.36)	1.312 (33.32)	1.467 (37.26)	.125 (3.18)
24	1.156 (29.36)	1.250 (31.75)	1.500 (38.10)	.177 (4.50)
25	1.187 (30.15)	1.266 (32.16)	1.458 (37.03)	.125 (3.58)
26	1.250 (31.75)	1.500 (38.10)	1.625 (41.28)	.141 (3.58)
27	1.250 (31.75)	1.437 (36.50)	1.562 (39.67)	.125 (3.58)
28	1.250 (31.75)	1.375 (34.92)	1.625 (41.28)	.177 (4.50)
29	1.281 (32.54)	1.500 (38.10)	1.718 (43.64)	.125 (3.18)
30	1.375 (34.92)	1.625 (41.28)	1.750 (44.45)	.177 (3.18)
31	1.375 (34.92)	1.563 (39.70)	1.703 (43.26)	.156 (3.96)
32	1.375 (34.92)	1.500 (38.10)	1.750 (44.45)	.203 (5.16)
33	1.392 (35.36)	1.625 (41.28)	1.818 (46.18)	.141 (3.58)
34	1.436 (36.47)	1.570 (39.88)	1.799 (45.69)	.125 (3.18)
35	1.500 (38.10)	1.750 (44.45)	1.875 (47.63)	.177 (3.18)
36	1.562 (39.67)	1.750 (44.45)	2.000 (50.80)	.203 (5.16)
37	1.568 (39.83)	1.875 (47.63)	2.138 (54.31)	.141 (3.58)
38	1.719 (43.66)	2.000 (50.80)	2.375 (60.33)	.177 (3.18)
39	1.734 (44.04)	2.062 (52.37)	2.328 (59.13)	.177 (3.18)
40	1.750 (44.45)	2.000 (50.80)	2.250 (57.15)	.219 (5.56)
41	1.906 (48.41)	2.250 (57.15)	2.625 (66.68)	.219 (5.56)
42	1.938 (49.23)	2.250 (57.15)	2.500 (63.50)	.219 (5.56)
43	2.188 (55.58)	2.500 (63.50)	2.750 (69.85)	.219 (5.56)
44	2.375 (60.33)	2.781 (70.64)	3.000 (76.20)	.219 (5.56)
45	2.406 (61.11)	2.750 (69.85)	3.125 (79.38)	.281 (7.14)
46	2.625 (66.68)	3.031 (76.99)	3.250 (82.55)	.219 (5.56)
47	2.656 (67.46)	3.000 (76.20)	3.375 (85.73)	.281 (7.14)
48	2.906 (73.81)	3.250 (82.55)	3.625 (92.08)	.281 (7.14)
49	3.156 (80.16)	3.500 (88.90)	3.875 (98.43)	.281 (7.14)

APPLICATION NOTES

1. Assembly identified with manufacturer's name and part number, space permitting.
2. For complete dimensions, see the applicable Military Specification.
3. Metric dimensions (mm) are in parentheses.

Dimensions in inches (millimeters) and are subject to change without notice.

Mouser Electronics

Authorized Distributor

Click to View Pricing, Inventory, Delivery & Lifecycle Information:

Glenair:

[M85049/130-15V](#) [M85049/130-07S](#) [M85049/130-01F](#) [M85049/130-04S](#) [M85049/130-05S](#) [M85049/130-30C](#)
[M85049/130-32F](#) [M85049/130-33V](#) [M85049/130-39V](#) [M85049/130-40V](#) [M85049/130-46F](#) [M85049/130-45N](#)
[M85049/130-49F](#) [M85049/130-04M](#) [M85049/130-17M](#) [M85049/130-23M](#) [M85049/130-27M](#) [M85049/130-32N](#)
[M85049/130-43S](#) [M85049/130-44C](#) [M85049/130-44F](#) [M85049/130-21F](#) [M85049/130-21V](#) [M85049/130-23C](#)
[M85049/130-27F](#) [M85049/130-28S](#) [M85049/130-32C](#) [M85049/130-16N](#) [M85049/130-16V](#) [M85049/130-07V](#)
[M85049/130-08V](#) [M85049/130-11S](#) [M85049/130-11V](#) [M85049/130-04N](#) [M85049/130-04V](#) [M85049/130-05V](#)
[M85049/130-06C](#) [M85049/130-06S](#) [M85049/130-07F](#) [M85049/130-37V](#) [M85049/130-40N](#) [M85049/130-41S](#)
[M85049/130-42M](#) [M85049/130-42N](#) [M85049/130-43F](#) [M85049/130-31C](#) [M85049/130-37C](#) [M85049/130-01N](#)
[M85049/130-03S](#) [M85049/130-22S](#) [M85049/130-23V](#) [M85049/130-24C](#) [M85049/130-25N](#) [M85049/130-25S](#)
[M85049/130-41N](#) [M85049/130-43M](#) [M85049/130-43N](#) [M85049/130-44M](#) [M85049/130-46M](#) [M85049/130-15S](#)
[M85049/130-21S](#) [M85049/130-37M](#) [M85049/130-41F](#) [M85049/130-08N](#) [M85049/130-09N](#) [M85049/130-09S](#)
[M85049/130-25F](#) [M85049/130-26F](#) [M85049/130-28N](#) [M85049/130-28V](#) [M85049/130-02C](#) [M85049/130-06V](#)
[M85049/130-13V](#) [M85049/130-20S](#) [M85049/130-21N](#) [M85049/130-24M](#) [M85049/130-49M](#) [M85049/130-02F](#)
[M85049/130-02M](#) [M85049/130-09C](#) [M85049/130-10M](#) [M85049/130-45V](#) [M85049/130-47C](#) [M85049/130-48C](#)
[M85049/130-48M](#) [M85049/130-48N](#) [M85049/130-49C](#) [M85049/130-36N](#) [M85049/130-37S](#) [M85049/130-42C](#)
[M85049/130-43C](#) [M85049/130-43V](#) [M85049/130-45M](#) [M85049/130-40F](#) [M85049/130-46C](#) [M85049/130-48S](#)
[M85049/130-29F](#) [M85049/130-33M](#) [M85049/130-34V](#) [M85049/130-36F](#)