

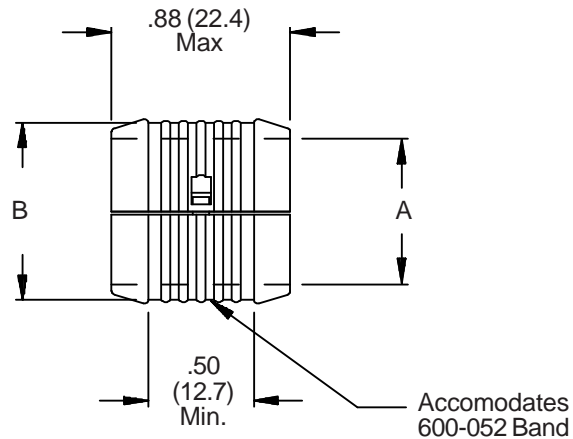
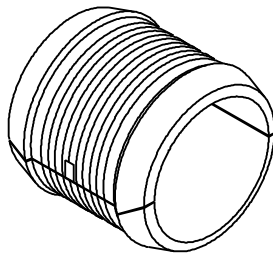
**M85049/93-10**

Basic Part No. \_\_\_\_\_ Dash No. \_\_\_\_\_

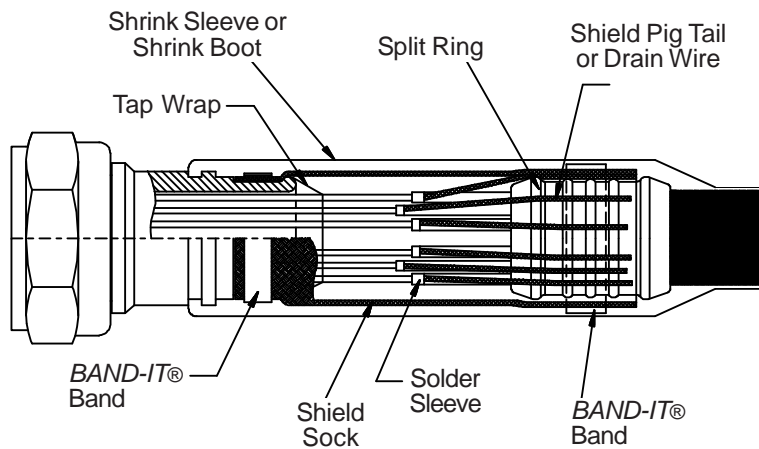
1. For complete dimensions see applicable Military Specification.
2. Metric dimensions (mm) are indicated in parentheses.
3. Use with Glenair banding backshells and braid socks. Consult factory for specific application part numbers.

**TABLE I**

Dash No.	A Dia		B Dia	
	±.01	(0.3)	±.03	(0.8)
04	.25	(6.4)	.36	(9.1)
06	.38	(9.7)	.49	(12.4)
08	.50	(12.7)	.61	(15.5)
10	.63	(16.0)	.74	(18.8)
12	.75	(19.1)	.86	(21.8)
14	.88	(22.4)	.99	(25.1)
16	1.00	(25.4)	1.11	(28.2)
18	1.13	(28.7)	1.24	(31.5)
20	1.25	(31.8)	1.36	(34.5)
22	1.38	(35.1)	1.49	(37.8)
24	1.50	(38.1)	1.61	(40.9)
26	1.63	(41.4)	1.74	(44.2)
28	1.75	(44.5)	1.86	(47.2)



### SAMPLE APPLICATION



# Mouser Electronics

Authorized Distributor

Click to View Pricing, Inventory, Delivery & Lifecycle Information:

[Glenair:](#)

[M85049/93-22](#) [M85049/93-28](#) [M85049/93-06](#) [M85049/93-08](#) [M85049/93-10](#) [M85049/93-12](#) [M85049/93-14](#)  
[M85049/93-26](#) [M85049/93-04](#) [M85049/93-16](#) [M85049/93-18](#) [M85049/93-20](#)