

HONEYWELL PART NUMBER
77344

REV	DOCUMENT	CHANGED BY	CHECK
B	0068753	VKK 03SEP10	CMH

CUSTOMER: _____
 APPROVED BY: _____
 DATE: _____
 CUSTOMER
 PART NO.: _____

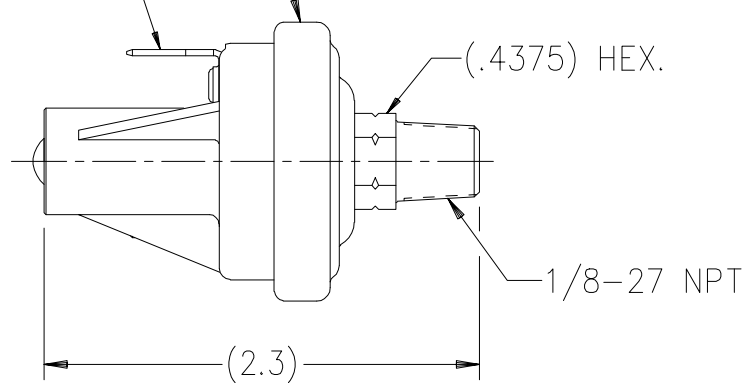
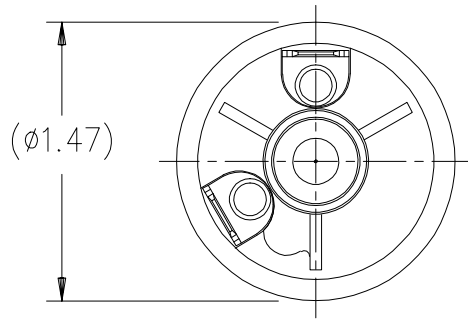
HONEYWELL PART NUMBER, N.O., VACUUM
 SETTING AND DATE CODE

2X 1/4 BLADE TERMINAL

(.4375) HEX.

1/8-27 NPT

(2.3)



NOTES:

1. SINGLE CIRCUIT NORMALLY OPEN VACUUM SWITCH.
2. CLOSING ADJUSTMENT RANGE 1.1 - 22 IN. Hg.
3. DIMENSIONS ARE FOR REFERENCE ONLY UNLESS OTHERWISE SPECIFIED.

CUSTOMER PRINT

DESIGN UNITS: INCH			
TOLERANCES UNLESS NOTED:			
NO PLACES	X	±	-
ONE PLACE	.X	±	.020
TWO PLACE	.XX	±	.010
THREE PLACE	.XXX	±	.005
FOUR PLACE	.XXXX	±	.0005
ANGLES	X	±	0°30'

DRAWN	D MCGEE	24OCT01
CHECK	-	-

THIS DRAWING COVERS A PROPRIETARY ITEM
 AND IS THE PROPERTY OF HONEYWELL.
 THIS DRAWING IS NOT TO BE COPIED OR USED
 WITHOUT THE PERMISSION OF HONEYWELL.

INTERPRET PER ASME Y14.5M-1994
 OTHER HONEYWELL ENGINEERING
 STANDARDS MAY APPLY

AUTOCAD 2D

Honeywell				
TITLE VACUUM SWITCH N.C. SCREW TERMINALS 5000 SERIES SWITCH				

SIZE	TYPE	CAGE CODE	DRAWING NAME	REV
A	I	-	77344	B

SCALE	NONE	SHEET	1 OF 1
-------	------	-------	--------

