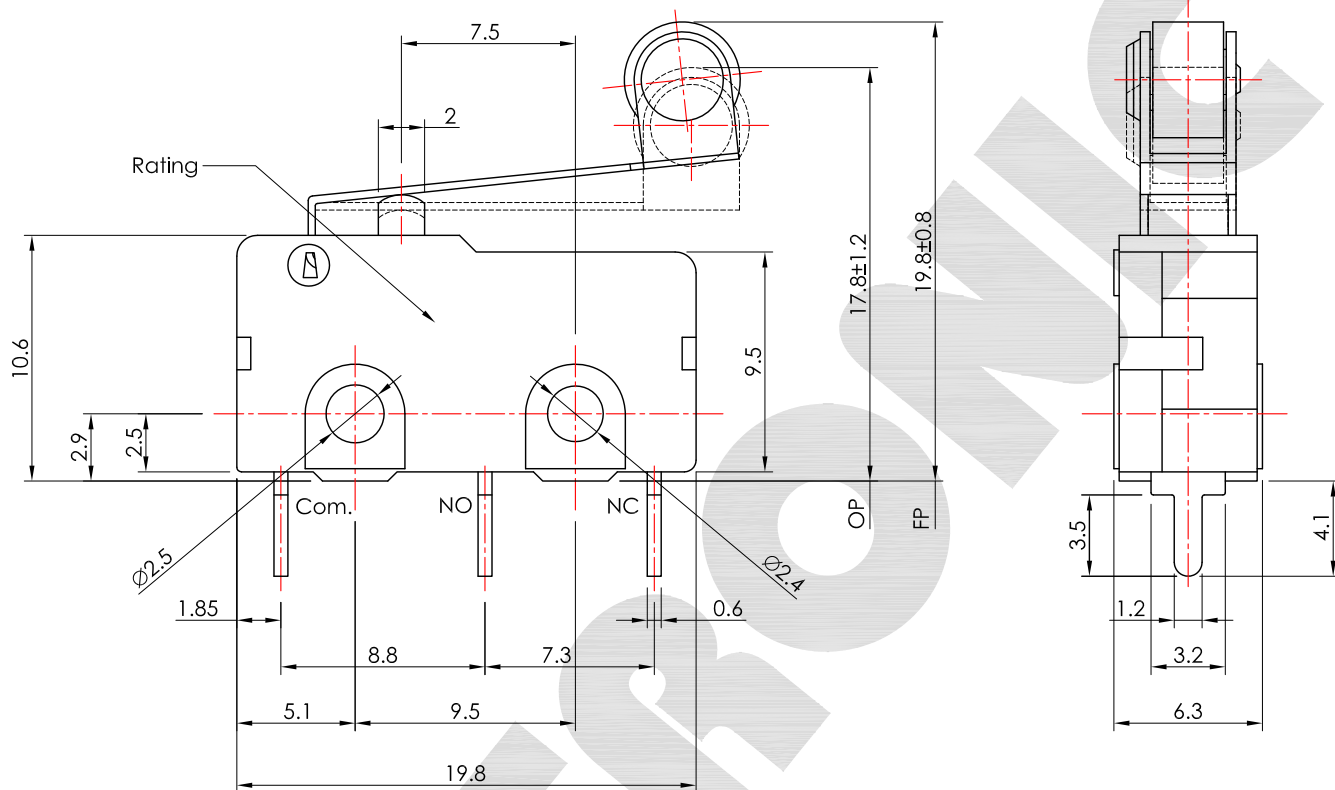


*開關產品未經SWITRONIC同意，請勿拆解，否則無法負品質及安全責任。

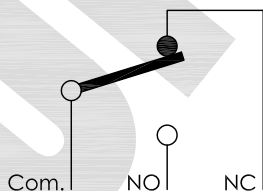
Please do not decompose the switch without any permission from SWITRONIC, otherwise the quality and safety responsibility could not be guaranteed.

*本圖面若與目錄之規格尺寸不符，以本圖面規格尺寸為主。

Below is our main specification if different from catalog.



SCHEMATIC



RoHS compliant

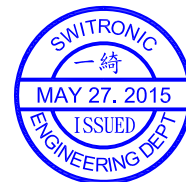
SMX-05P-XXG-G

RATING	
3	3A 125V AC / 250V AC
5	5A 125V AC / 250V AC

OPERATING FORCE	
14, 20, 25, 30, 34,	
40, (45), 50, 68, 75	
(): Standard	

SPECIFICATION

- Rating:** 5A 125 / 250V AC.
- Contact resistance:** ≤100mΩ.(initial)
- Insulation resistance:** ≥100MΩ at 500V DC.
- Withstand voltage:** 1,000V AC for 1 minute.
- Operating temperature:** -20°C ~ +80°C.
- Ambient humidity:** <85%RH.
- Operating force:** 45±20g.
- Minimum load:** 200mA 10V DC.(reference only)
- Mechanical life:** 1,000,000 Cycles.
- Electrical life:** 10,000 Cycles.
- Soldering temperature:** 225°C Max. for 3 sec.
- Soldering time:** 1 time only.
- Note1:** Unwashable, don't be immersed by epoxy and organic solvent.
- Note2:** Please check the actual size, do not scale the drawing page.



V2.2	△		
V2.1	無	改 版	2015.05.27
V2.0	無	新繪製	2009.04.07
版本 VER.	符號 SYMBOL	修 改 內 容 ALTERATION	更 新 日 期 DATE

產品 PRODUCT		Micro Switch		型號 MODEL NO.		SM5-05P-45G-G	
比例 SCALE	3 : 1	單位 UNIT	mm				
公差 TOLERANCE	.X=±0.3mm, .XX=±0.2mm						
製圖 DRAWN BY	核圖 CHECKED BY	主管 APPROVED BY					
<i>Allen Liao</i>	<i>Chuck Young</i>	<i>Margaret Lee</i>					

一綺電子企業股份有限公司

總公司：110 台北市信義路四段415號13樓之3
 13F-3 NO. 415, SEC. 4, HSIN YI ROAD, TAIPEI, TAIWAN
 TEL : 886-2-27290229 (Rep.) FAX : 886-2-27582086
 URL : http://www.switronic.com.tw
 E-MAIL : switches@ms36.hinet.net