

DLight HAT

SKU:U134



Description

DLight HAT Digital Ambient Light Sensor extends M5StickC/C Plus to have ambient light sensing capability. Adopts BH1750FVI sensor (I2C interface), integrates 16-bit ADC, supports wide-range LUX and high resolution (1 - 65535 LX). Compact in size, and low power consumption. Suitable for various light sensing applications.

Product Features

- Compatible with M5StickC/C Plus
- Support I2C interface (addr: 0x23)
- Illumination digital conversion
- Support light source variations (incandescent, fluorescent, halogen, white LED, sunlight, etc)
- Wide Range LUX (1-65535 lx)

Include

- 1x DLIGHT HAT

Applications

- Smart Factory
- Home Automation
- Ambient light Sensing Scenario

Specification

Specifications	Parameters
Sensor Model	BH1750FVI
Illumination detection range	1-65535 lx
Communication interface	I2C communication interface (addr: 0x23)
Typical peak sensitivity wavelength	560nm
Working current	<3.3V@0.3mA
AD conversion depth	16bit
Net weight	4.8g
Gross weight	6.8g
Product Size	25 * 24 * 14mm
Package Size	93 * 138mm

Related Link

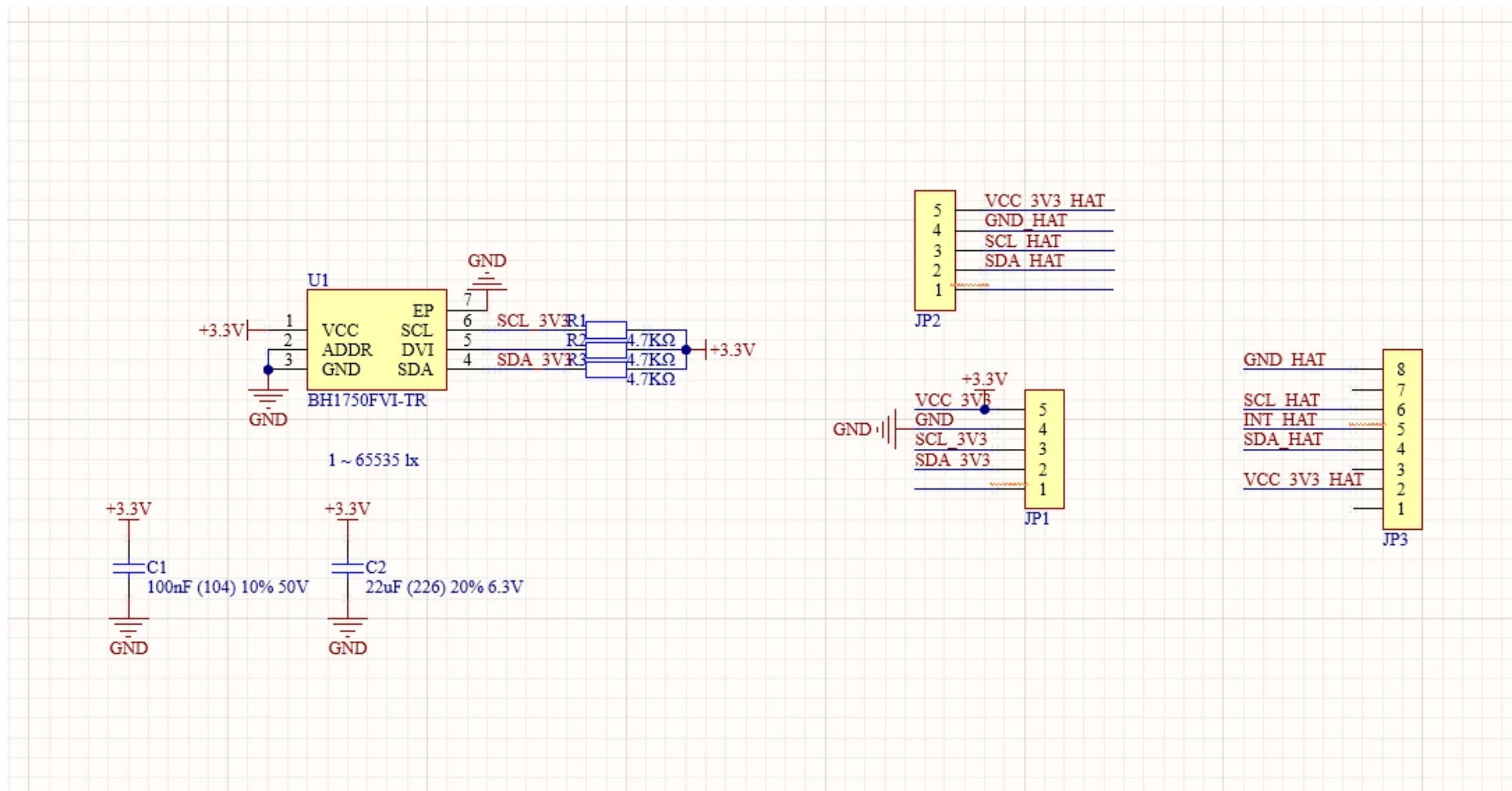
- **Datasheet**
 - [BH1750FVI datasheet](#)

PinMap

- HAT DLight

M5StickC	G0	G26	3.3V	GND
HAT DLight	SDA	SCL	VCC	GND

Schematic



Example

Arduino

- [HAT DLIGHT GET LUX with M5StickC](#)

Video

Illumination value detection