

5

4

3

2

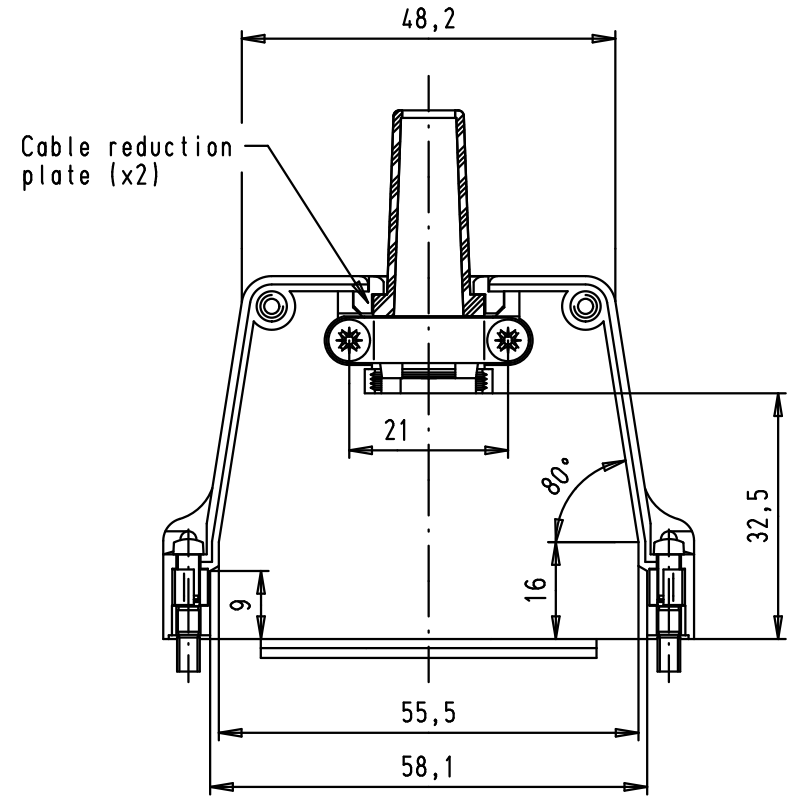
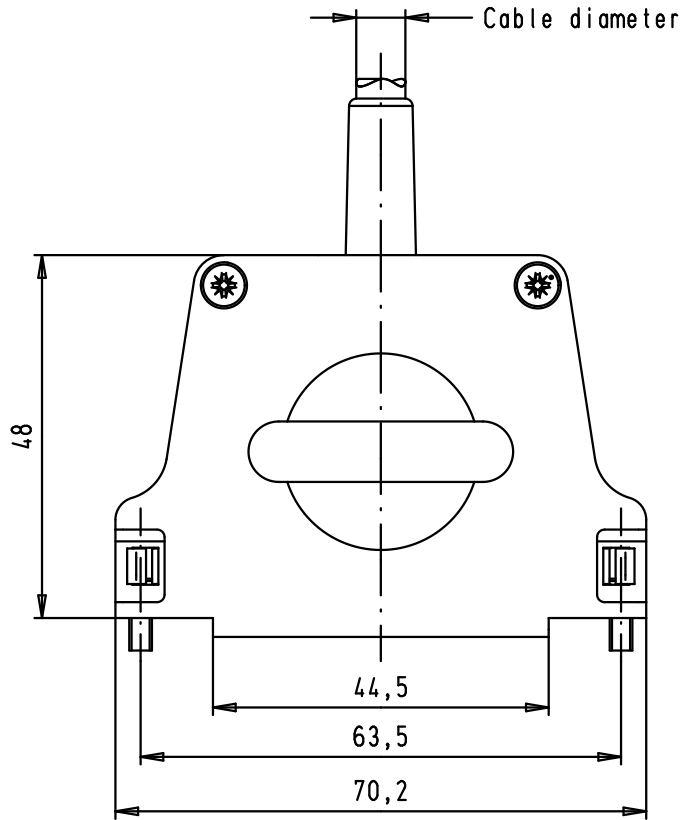
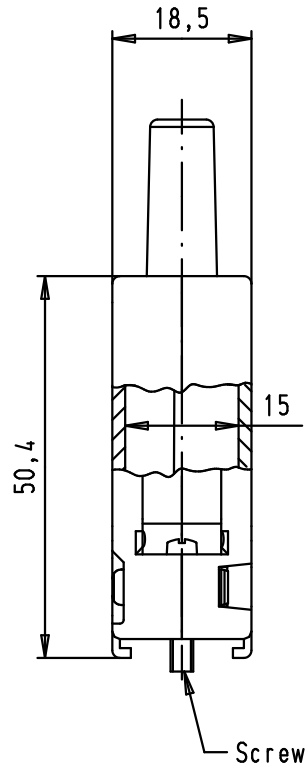
1

D



C

B

A



- Minimum cable diameter: 3
 Maximum cable diameter:
 - with rubber bushing: 9
 - without rubber bushing: 12
 - without reduction plate: 15

| | | | | | | | | | |
|----------------|--------------|---------|----------|---------|-------------------------------|---|---|-------------------|-------------|
| | | | | Dot. | Name |  All Dim. in mm Orig. Size DIN A 4 | D-Sub, 37 poles, top entry, straight metal hood | Maßstab/ Scale | |
| | | | | Detail. | 15/11/04 | | | TR | 1:1 |
| | | | | Insp. | | | | | |
| | | | | Stand. | | | | | |
| 09 67 037 0349 | M3 | EC00368 | 07/07/09 | PK | HARTING EURL F-95972 Paris | |  | TB 09 67 037 034X | Blatt/ Page |
| 09 67 037 0344 | 4-40 UNC | 32329 | 15/11/04 | TR | | | | | 2 / 2 |
| Part number | Screw thread | Mod. | Dot. | Name | Sub. | | | | |